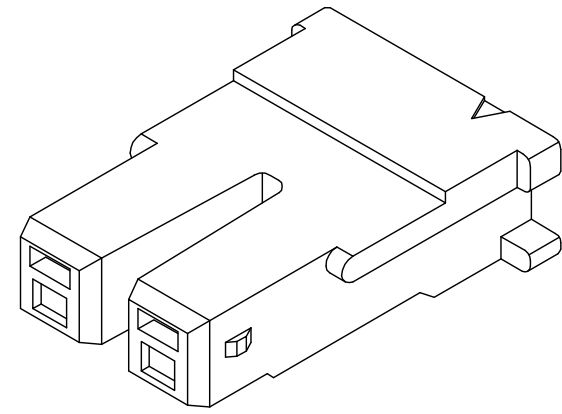
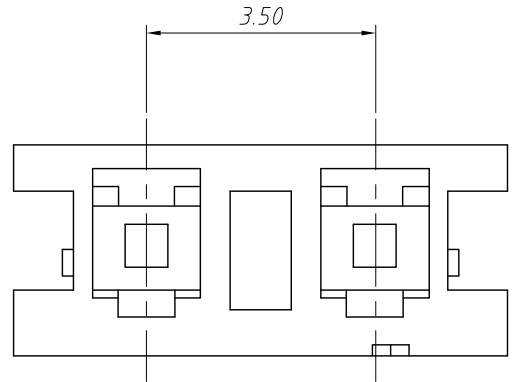
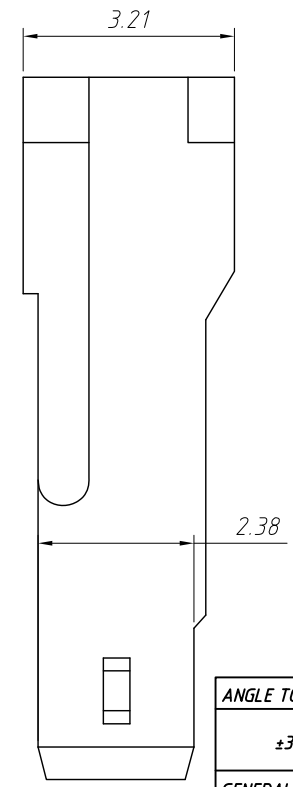
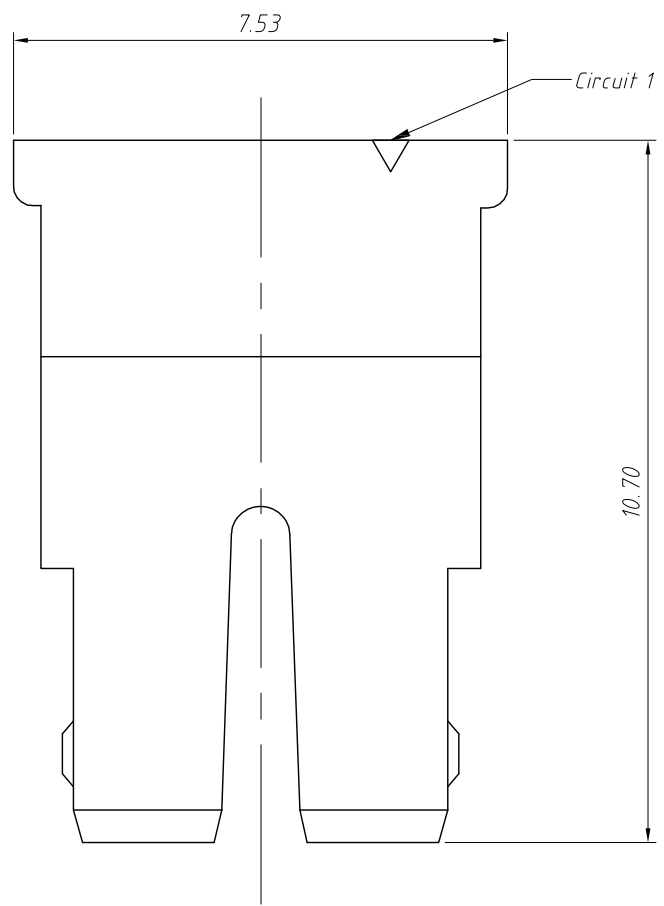


1  
RoHS Compliance



**Material:**  
Housing:PA66,UL 94 V-0,Natural

**Electrical Characteristics:**  
Rated Current:1.0AMP  
Voltage rating:1400V AC,DC  
Temperature range:-25°C ~ + 85°C  
Insulator Resistance:1000MΩ Min  
Withstanding Voltage:3800V AC/minute  
Contact Resistance:10mΩ Max



**Order Information:**  
L-KLS1-BH-3.50-02-MH1

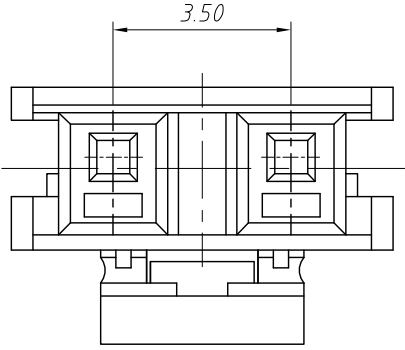
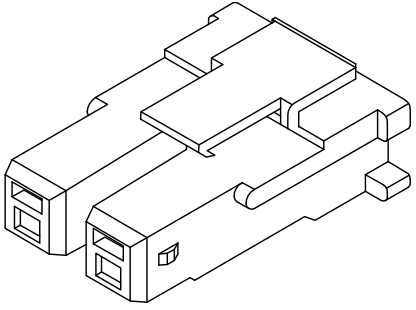
L: RoHS  
Pitch:3.50mm  
No.of 02 pins  
Type:

FH1 / FH2-Female Hosing  
MH1 / MH2-Male Hosing  
FT-Female Terminal MT-Male Terminal  
R-Right angle male pin  
RM-Horizontal SMT Pin

ANGLE TOLERANCE	PROJECTION	Description:	3.50mm Pitch BHS Type Wire To Board Connector	
±3°				
GENERAL TOLERANCE	UNITS	mm	KLS P/N:	L-KLS1-BH-3.50-02-MH1
x.x ±0.30	SHEET SIZE	A4		
x.xx ±0.20	Draw:	Daniel	2021-01-11	
x.xxx ±0.10	Check:	Daniel	2021-01-11	

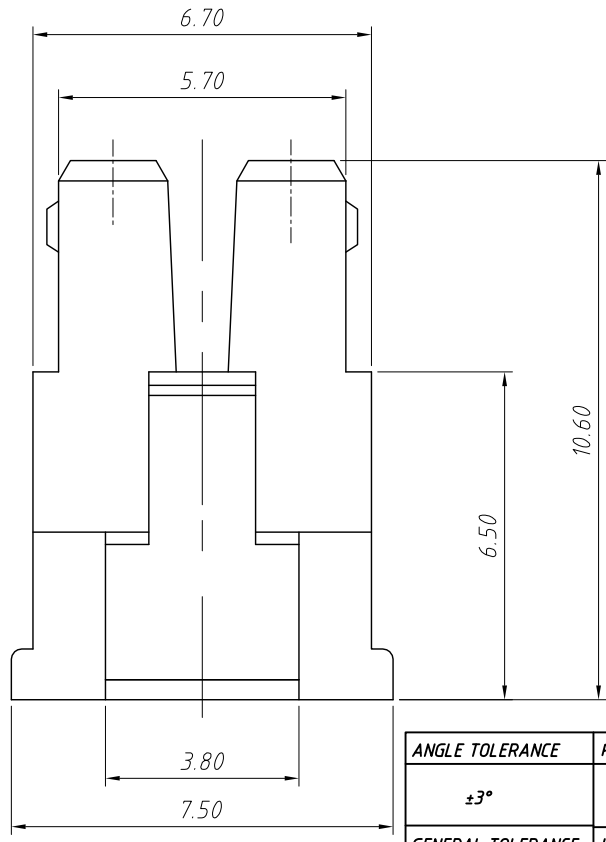
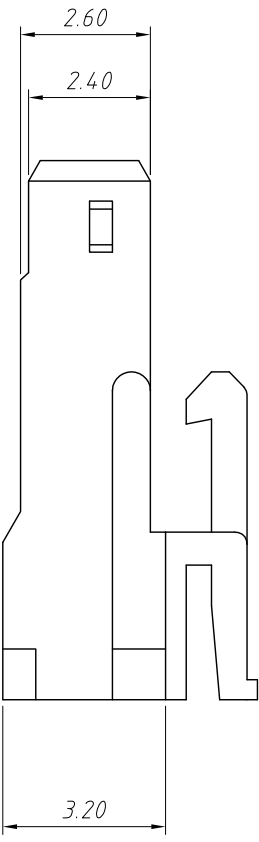
NingBo KLS ELECTRONIC CO.,L TD.

1  
RoHS Compliance



**Material:**  
Housing:PA66,UL 94V-0,Natural

**Electrical Characteristics:**  
Rated Current:1.0AMP  
Voltage rating:1400V AC,DC  
Temperature range:-25°C ~ + 85°C  
Insulator Resistance:1000MΩ Min  
Withstanding Voltage:3800V AC/minute  
Contact Resistance:10mΩ Max

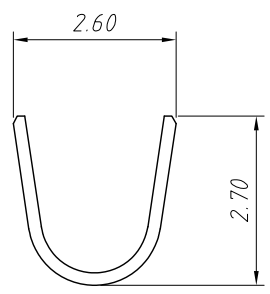
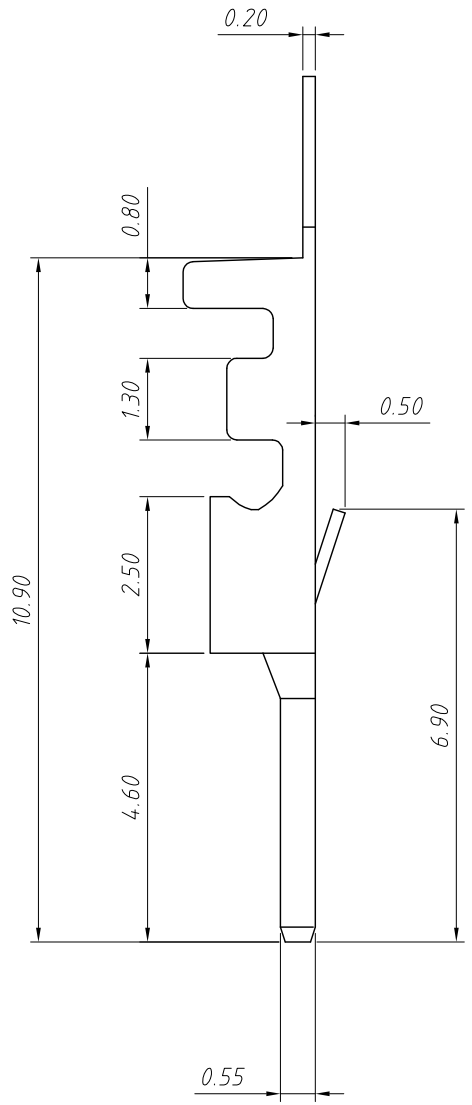
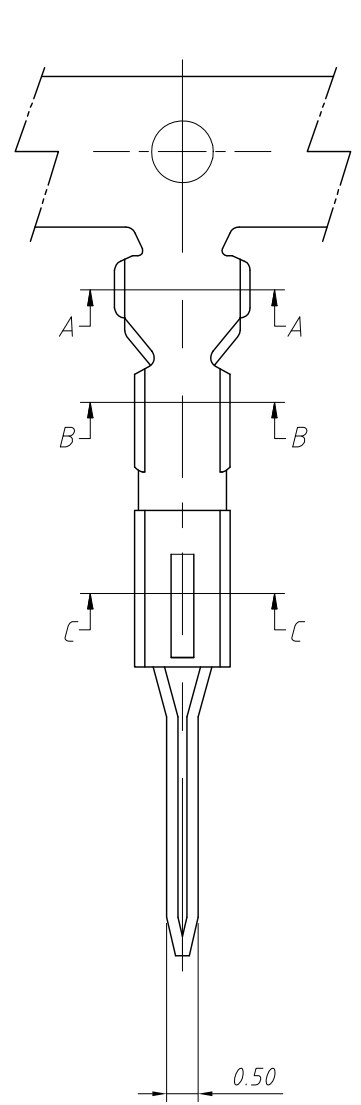


**Order Information:**  
L-KLS1-BH-3.50-02-MH2

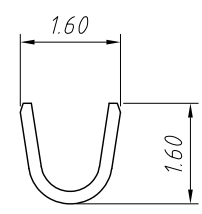
L: RoHS  
Pitch:3.50mm  
No.of 02 pins  
Type: \_\_\_\_\_  
FH1 / FH2-Female Housing  
MH1 / MH2-Male Housing  
FT-Female Terminal MT-Male Terminal  
R-Right angle male pin  
RM-Horizontal SMT Pin

ANGLE TOLERANCE	PROJECTION	Description:	3.50mm Pitch BHS Type Wire To Board Connector		
±3°					
GENERAL TOLERANCE	UNITS	mm	KLS P/N:	L-KLS1-BH-3.50-02-MH2	
x.x ±0.30	SHEET SIZE	A4		NingBo KLS ELECTRONIC CO.,L TD.	
x.xx ±0.20	Draw:	Daniel			2021-01-11
x.xxx ±0.10	Check:	Daniel			2021-01-11

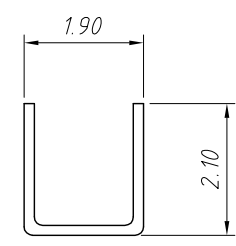
1  
RoHS Compliance



A-A



B-B



C-C

**Material:**  
Terminal: Phosphor Bronze  
Plating: Tin plated  
Applicable wires: AWG #24 ~ #28  
Insulation O.D: 1.8mm  
Qty/reel: 5000 pcs

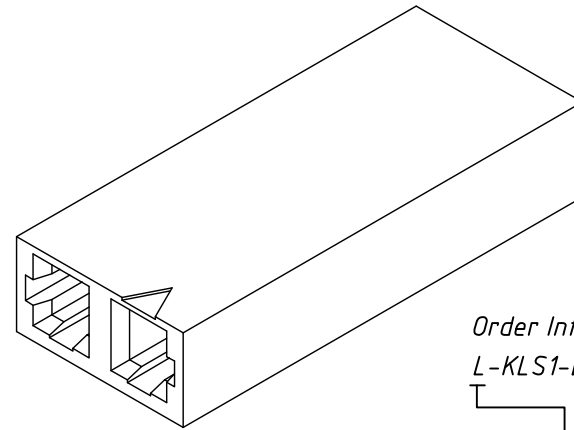
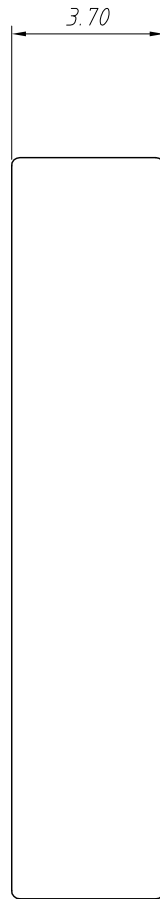
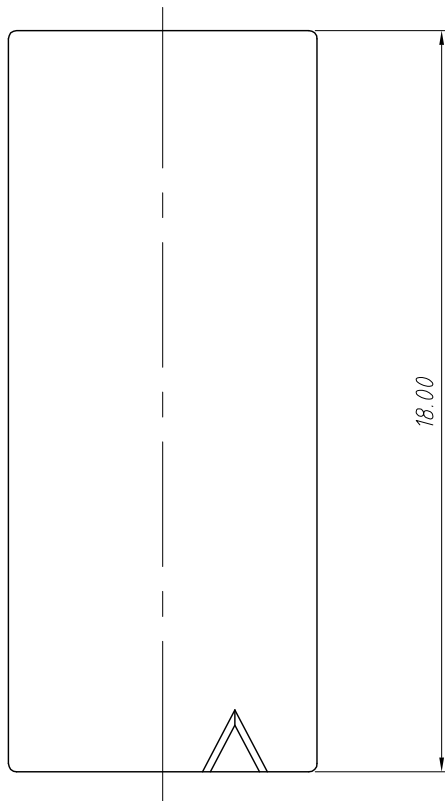
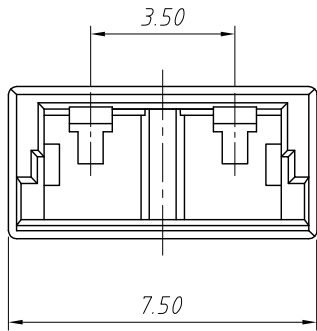
**Electrical Characteristics:**  
Rated Current: 1.0AMP  
Voltage rating: 1400V AC, DC  
Temperature range: -25°C ~ +85°C  
Insulator Resistance: 1000MΩ Min  
Withstanding Voltage: 3800V AC/minute  
Contact Resistance: 10mΩ Max

**Order Information:**  
L-KLS1-BH-3.50-MT  
  
L: RoHS  
Pitch: 3.50mm  
Type: \_\_\_\_\_  
FH1 / FH2 - Female Hosing  
MH1 / MH2 - Male Hosing  
FT - Female Terminal MT - Male Terminal  
R - Right angle male pin  
RM - Horizontal SMT Pin

ANGLE TOLERANCE	PROJECTION	Description:	3.50mm Pitch BHS Type Wire To Board Connector	
±3°				
GENERAL TOLERANCE	UNITS	mm	KLS P/N:	L-KLS1-BH-3.50-MT
x.x ±0.30	SHEET SIZE	A4		
x.xx ±0.20	Draw:	Daniel	2021-01-11	
x.xxx ±0.10	Check:	Daniel	2021-01-11	

**NingBo KLS ELECTRONIC CO.,L TD.**

1  
RoHS Compliance



Material:  
Housing:PA66,UL 94V-0,Natural

Electrical Characteristics:  
Rated Current:1.0AMP  
Voltage rating:1400V AC,DC  
Temperature range:-25°C ~ + 85°C  
Insulator Resistance:1000MΩ Min  
Withstanding Voltage:3800V AC/minute  
Contact Resistance:10mΩ Max

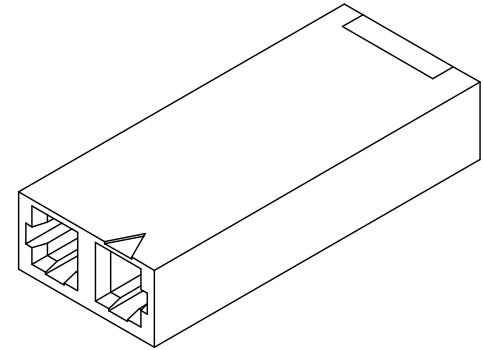
Order Information:

L-KLS1-BH-3.50-02-FH1

L: RoHS  
Pitch:3.50mm  
No. of 02 pins  
Type:  
FH1 / FH2-Female Hosing  
MH1 / MH2-Male Hosing  
FT-Female Terminal MT-Male Terminal  
R-Right angle male pin  
RM-Horizontal SMT Pin

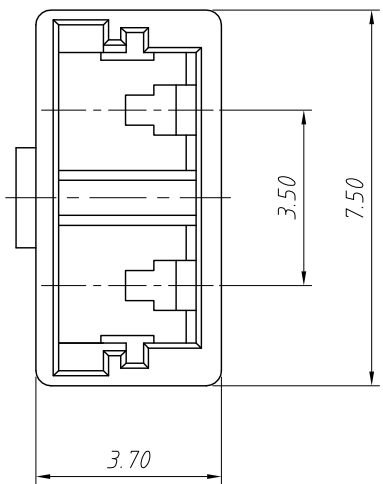
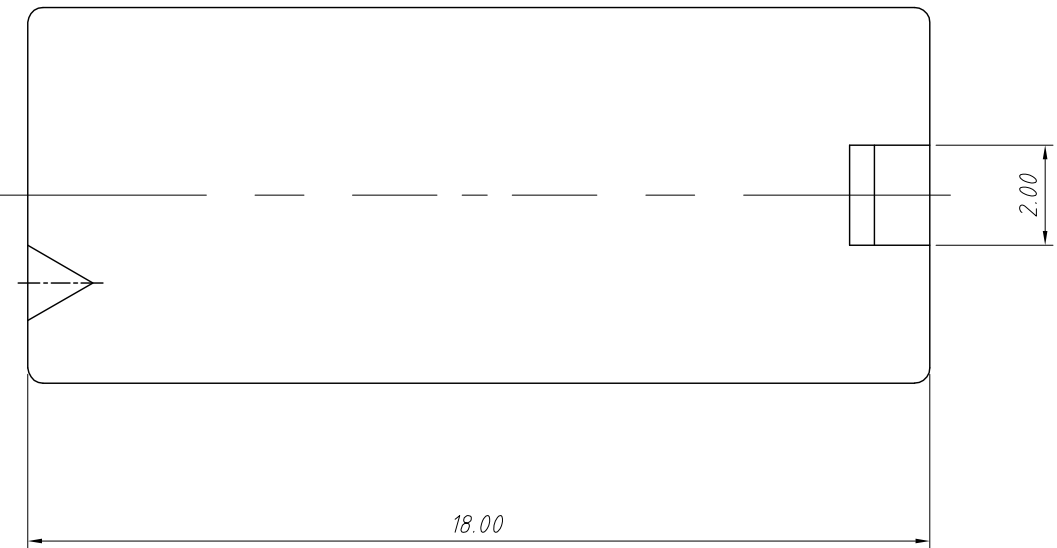
ANGLE TOLERANCE	PROJECTION	Description:	3.50mm Pitch BHS Type Wire To Board Connector
±3°			
GENERAL TOLERANCE	UNITS	mm	KLS P/N: L-KLS1-BH-3.50-02-FH1
x.x ±0.30	SHEET SIZE	A4	NingBo KLS ELECTRONIC CO.,L TD.
x.xx ±0.20	Draw:	Daniel 2021-01-11	
x.xxx ±0.10	Check:	Daniel 2021-01-11	

1  
RoHS Compliance



**Material:**  
Housing:PA66,UL 94 V-0,Natural

**Electrical Characteristics:**  
Rated Current:1.0AMP  
Voltage rating:1400V AC,DC  
Temperature range:-25°C ~ + 85°C  
Insulator Resistance:1000MΩ Min  
Withstanding Voltage:3800V AC/minute  
Contact Resistance:10mΩ Max

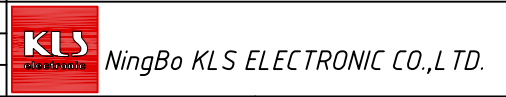


**Order Information:**  
L-KLS1-BH-3.50-02-FH2

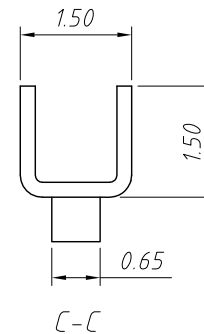
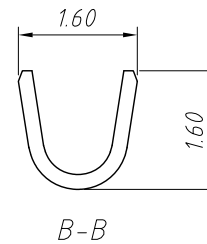
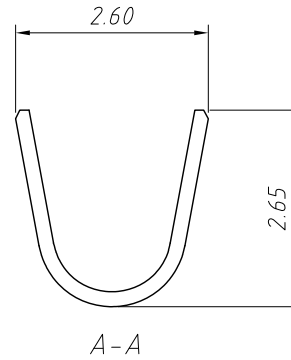
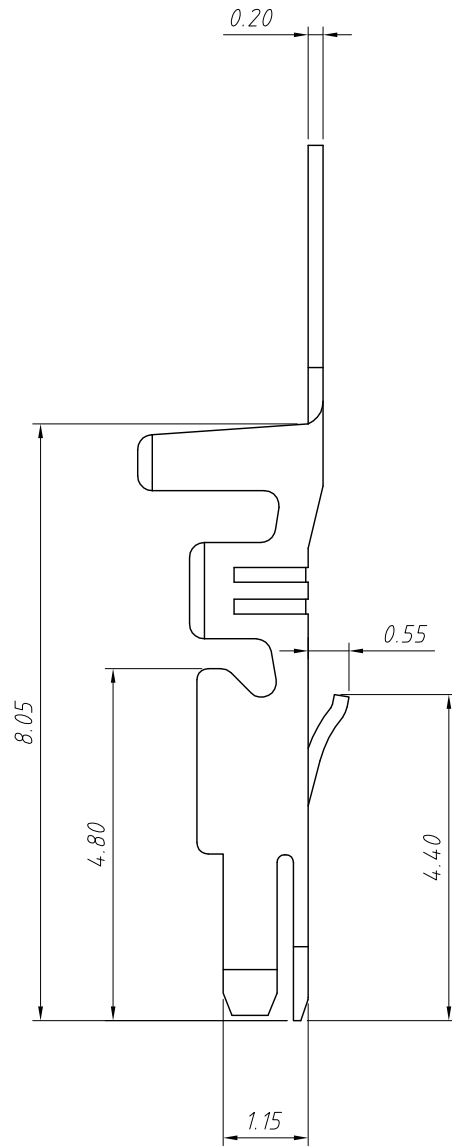
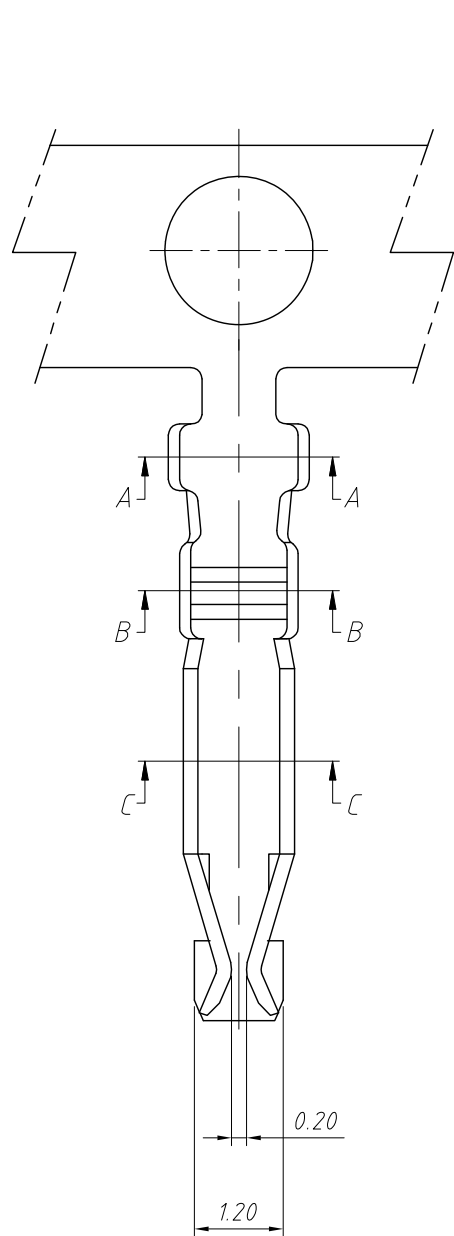
L: RoHS  
Pitch:3.50mm  
No. of 02 pins  
Type:

FH1 / FH2-Female Hosing  
MH1 / MH2-Male Hosing  
FT-Female Terminal MT-Male Terminal  
R-Right angle male pin  
RM-Horizontal SMT Pin

ANGLE TOLERANCE	PROJECTION	Description:	3.50mm Pitch BHS Type Wire To Board Connector
±3°			
GENERAL TOLERANCE	UNITS	mm	KLS P/N:
x.x ±0.30	SHEET SIZE	A4	L-KLS1-BH-3.50-02-FH2
x.xx ±0.20	Draw:	Daniel	2021-01-11
x.xxx ±0.10	Check:	Daniel	2021-01-11



1 RoHS Compliance



**Material:**  
 Terminal: Phosphor Bronze  
 Plating: Tin plated  
 Applicable wires: AWG #24 ~ #28  
 Insulation O.D: 1.6mm  
 Qty/reel: 8000 pcs

**Electrical Characteristics:**  
 Rated Current: 1.0AMP  
 Voltage rating: 1400V AC, DC  
 Temperature range: -25°C ~ +85°C  
 Insulator Resistance: 1000MΩ Min  
 Withstanding Voltage: 3800V AC/minute  
 Contact Resistance: 10mΩ Max

**Order Information:**  
 L-KLS1-BH-3.50-FT

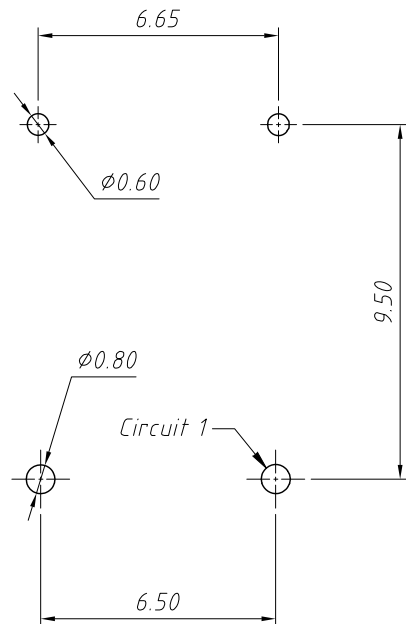
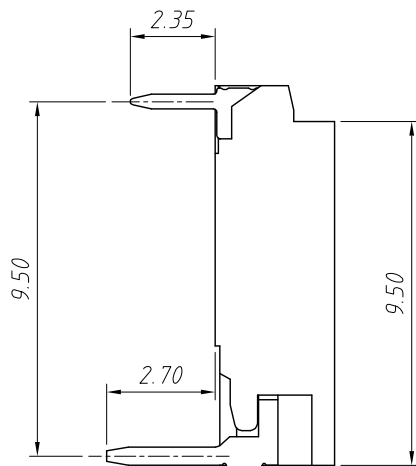
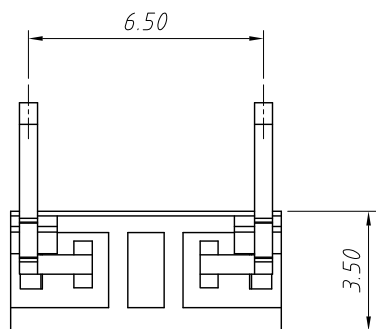
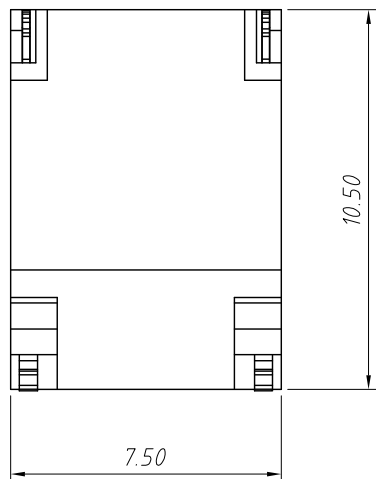
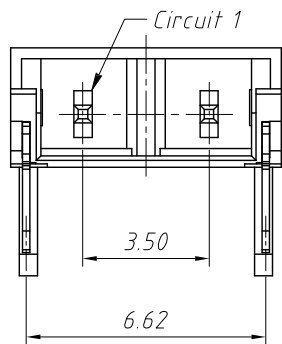
L: RoHS  
 Pitch: 3.50mm  
 Type:  
 FH1 / FH2 - Female Hosing  
 MH1 / MH2 - Male Hosing  
 FT - Female Terminal MT - Male Terminal  
 R - Right angle male pin  
 RM - Horizontal SMT Pin

ANGLE TOLERANCE	PROJECTION	Description:	3.50mm Pitch BHS Type Wire To Board Connector
±3°			
GENERAL TOLERANCE	UNITS	mm	KLS P/N: L-KLS1-BH-3.50-FT
x.x ±0.30	SHEET SIZE	A4	
x.xx ±0.20	Draw:	Daniel	2021-01-11
x.xxx ±0.10	Check:	Daniel	2021-01-11

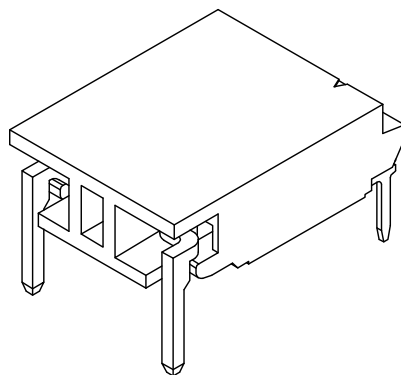


NingBo KLS ELECTRONIC CO.,L TD.

RoHS Compliance



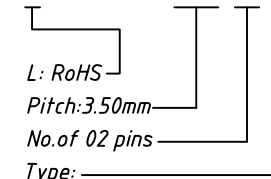
PCB LAYOUT



**Material:**  
Housing: PA6T, UL 94V-0, Black  
Contact: Brass  
Plating: Tin plate

**Electrical Characteristics:**  
Rated Current: 1.0AMP  
Voltage rating: 1400V AC, DC  
Temperature range:  $-25^{\circ}\text{C} \sim +85^{\circ}\text{C}$   
Insulator Resistance: 1000M $\Omega$  Min  
Withstanding Voltage: 3800V AC/minute  
Contact Resistance: 10m $\Omega$  Max

**Order Information:**  
L-KLS1-BH-3.50-02-R



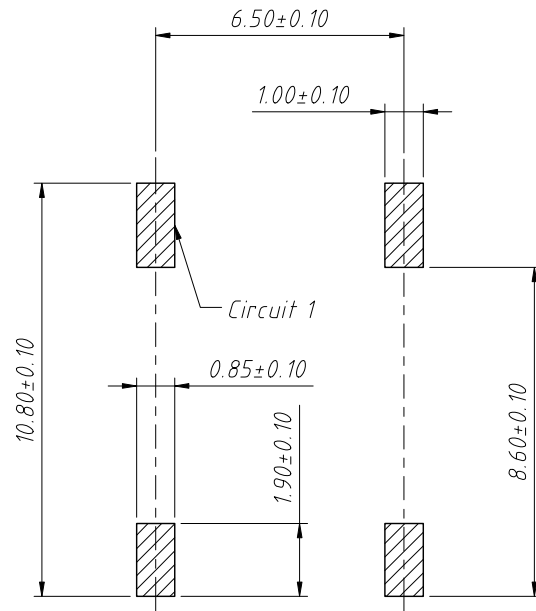
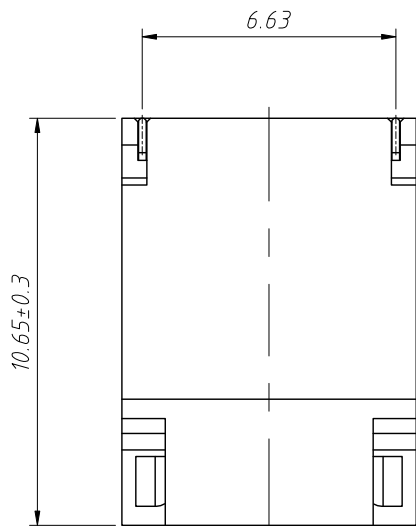
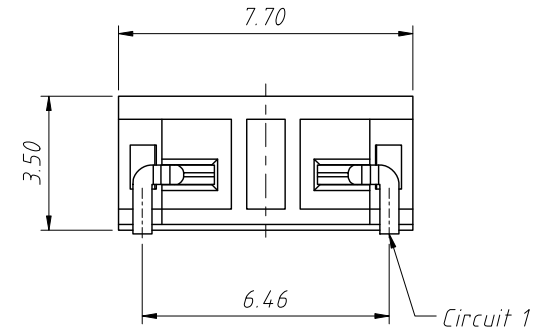
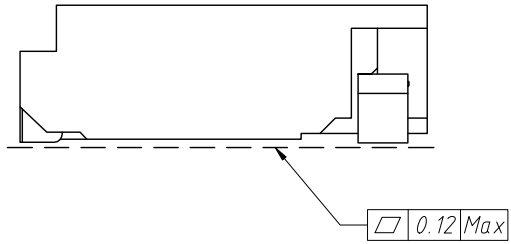
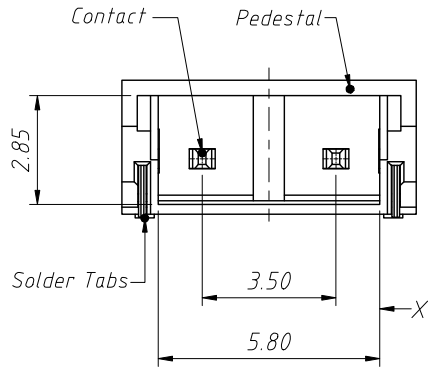
FH1 / FH2-Female Hosing  
MH1 / MH2-Male Hosing  
FT-Female Terminal MT-Male Terminal  
R-Right angle male pin  
RM-Horizontal SMT Pin

ANGLE TOLERANCE	PROJECTION	Description:	3.50mm Pitch BHS Type
$\pm 3^{\circ}$			Wire To Board Connector
GENERAL TOLERANCE	UNITS	mm	KLS P/N:
x.x $\pm 0.30$	SHEET SIZE	A4	L-KLS1-BH-3.50-02-R
x.xx $\pm 0.20$	Draw:	Daniel	2021-01-11
x.xxx $\pm 0.10$	Check:	Daniel	2021-01-11



NingBo KLS ELECTRONIC CO.,LTD.

1 RoHS Compliance



Material:  
 Pedestal: LCP, UL 94 V-0, Belge  
 Contact: Phosphor Bronze, Sn-plate  
 Solder Tabs: Phosphor Bronze, Sn-plate

Electrical Characteristics:  
 Rated Current: 1.0A AC DC  
 Voltage rating: 1400V AC DC  
 Temperature range: -25°C ~ +105°C  
 Insulator Resistance: 1000MΩ Min  
 Withstanding Voltage: 3800V AC/minute  
 Contact Resistance: 20mΩ Max

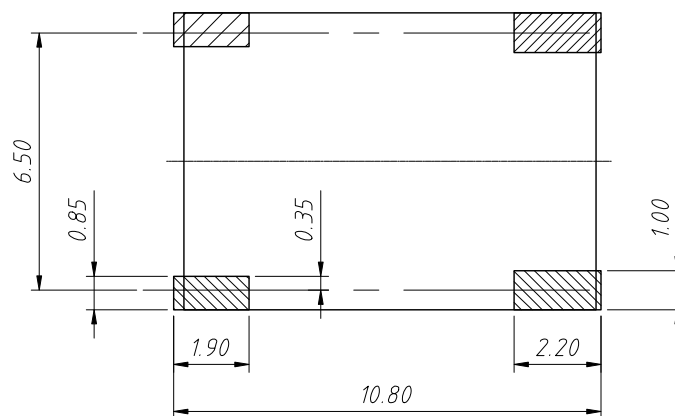
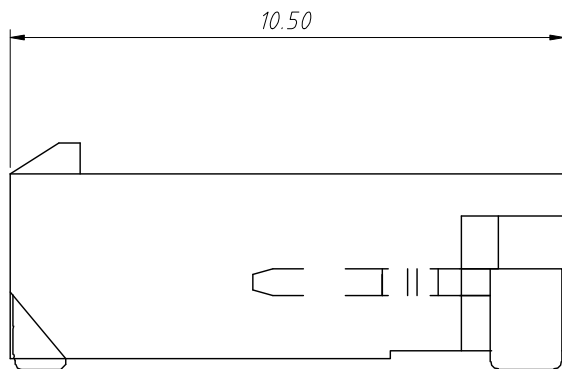
Order Information:  
 L-KLS1-BH-3.50-02-RM  
 L: RoHS  
 Pitch: 3.50mm  
 No. of 02 pins  
 Type:  
 FH1 / FH2-Female Hosing  
 MH1 / MH2-Male Hosing  
 FT-Female Terminal  
 MT-Male Terminal  
 R-Right angle male pin  
 RM/RM2-Horizontal SMT Pin

SUGGESTED PCB LAYOUT  
 (COMPONENT SIDE)

ANGLE TOLERANCE	PROJECTION	Description:	3.50mm Pitch 90° Wafer SMT Type Wire To Board Connector
±3°			
GENERAL TOLERANCE	UNITS	mm	KLS P/N: L-KLS1-BH-3.50-02-RM
x.x ±0.30	SHEET SIZE	A4	NingBo KLS ELECTRONIC CO.,LTD.
x.xx ±0.20	Draw:	Daniel 2021-01-11	
x.xxx ±0.10	Check:	Daniel 2021-01-11	



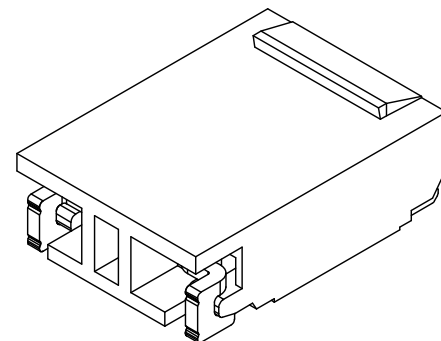
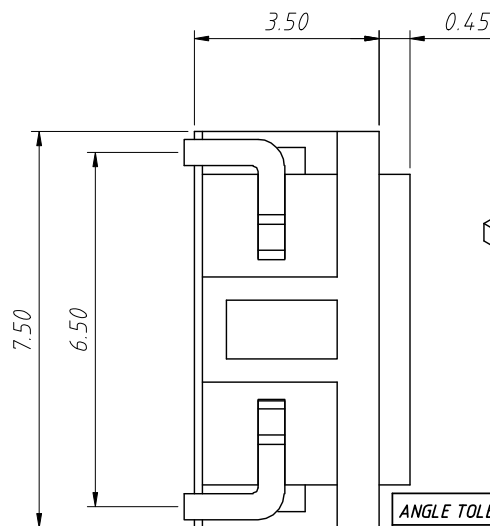
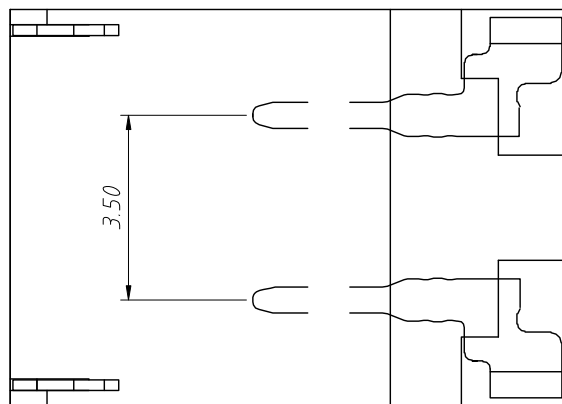
1 RoHS Compliance



PCB LAYOUT

**Material:**  
 Housing: PA9T, UL 94V-0, Black  
 Contact: Brass, Tin plate  
 Solder Tabs: Phosphor Bronze, Tin plate

**Electrical Characteristics:**  
 Rated Current: 1.0AMP  
 Voltage rating: 14.00V AC, DC  
 Temperature range: -25°C ~ +85°C  
 Insulator Resistance: 1000MΩ Min  
 Withstanding Voltage: 3800V AC/minute  
 Contact Resistance: 10mΩ Max



**Order Information:**

L-KLS1-BH-3.50-02-RM2

- L: RoHS
- Pitch: 3.50mm
- No. of 02 pins
- Type: \_\_\_\_\_
- FH1 / FH2 - Female Hosing
- MH1 / MH2 - Male Hosing
- FT - Female Terminal
- MT - Male Terminal
- R - Right angle male pin
- RM/RM2 - Horizontal SMT Pin

ANGLE TOLERANCE	PROJECTION	Description:	3.50mm Pitch BHS Type
±3°			Wire To Board Connector
GENERAL TOLERANCE	UNITS	mm	KLS P/N:
x.x ±0.30	SHEET SIZE	A4	L-KLS1-BH-3.50-02-RM2
x.xx ±0.20	Draw:	Daniel	2021-01-11
x.xxx ±0.10	Check:	Daniel	2021-01-11



NingBo KLS ELECTRONIC CO., L TD.