

SECTION A-A

**Material**

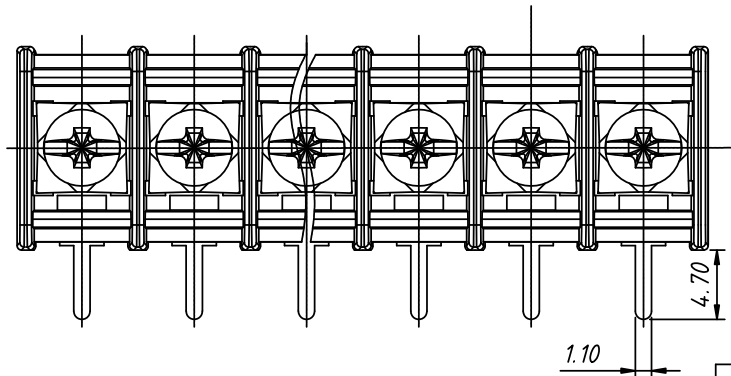
Screw: M3.0, Steel, Ni Plated  
 Pin header: Brass, 0.8t, Tin Plated  
 Housing: PA66, UL 94V-0, Black

**Electrical**

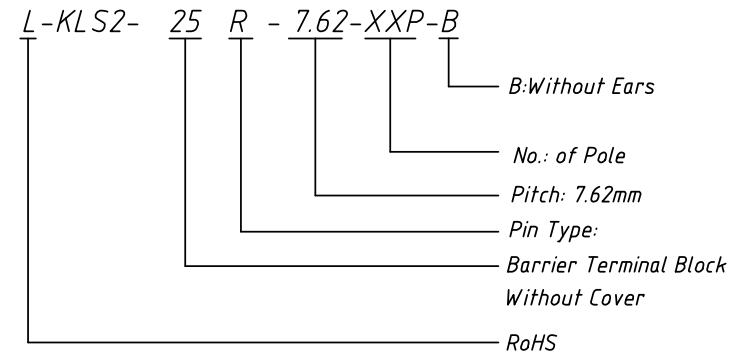
Rated voltage: 300V  
 Rated current: 15A  
 Wire range: 22~14AWG 2.5mm<sup>2</sup>  
 Contact Resistance: 20 mΩ  
 Insulation resistance: 500MΩ/DC500V  
 Withstand voltage: AC2000V / 1 min

**Mechanical**

Temp. Range: -40 °C ~ +105 °C  
 Torque: 0.5Nm (4.5Lb.in)



**Order Information**



GENERAL TOLERANCE		ANGLE TOLERANCE		PROJECTION	Description:
X	±0.60	X	±5°	UNITS	
.X	±0.38	.X	±3°	SHEET SIZE	
.XX	±0.25	.XX	±2°	KLS P/N:	
Draw by: Date		2015-09-01		 NingBo KLS ELECTRONIC CO.,L TD.	
Check by: Date		2015-09-15			
SCALE		SHEET		OF	