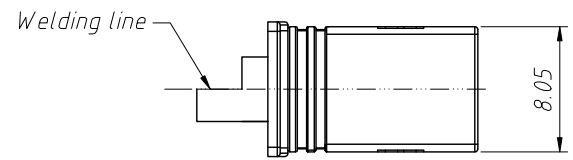
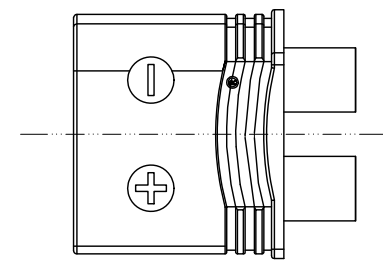
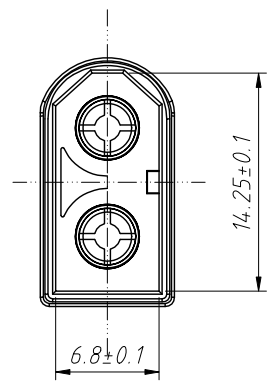
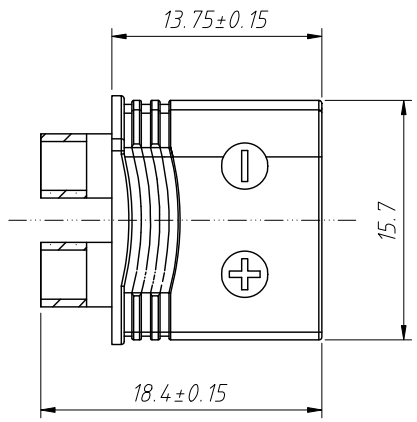
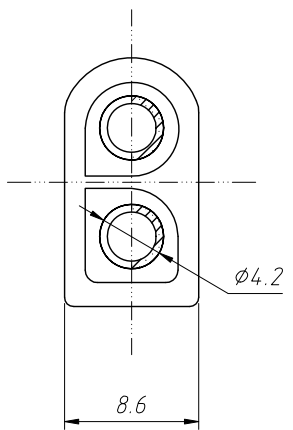
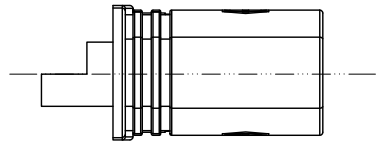
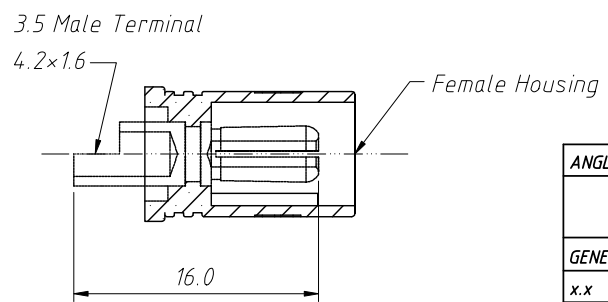


1
RoHS Compliance



Order Information:
L-KLS1-XT60U-F-8-N

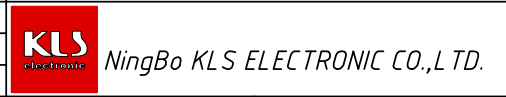
L: RoHS
 Product series
 Type:
 F-Female M-Male
 Color:8- Yellow
 Waterproof cover:
 N-Without Waterproof cover
 W-With Waterproof cover



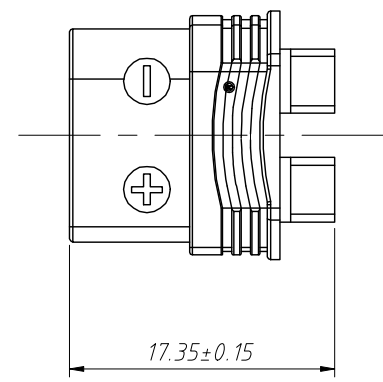
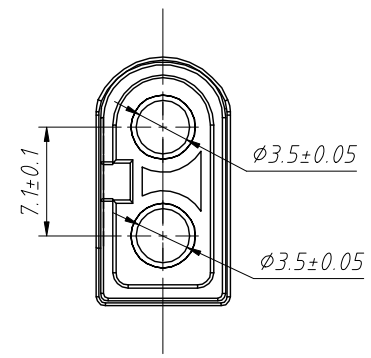
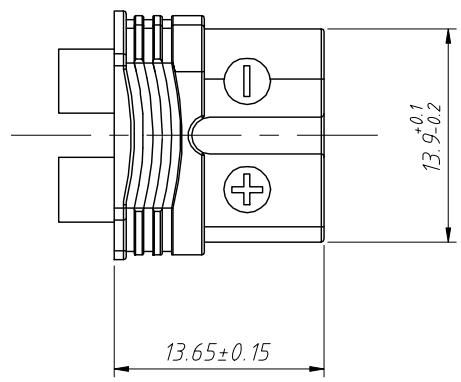
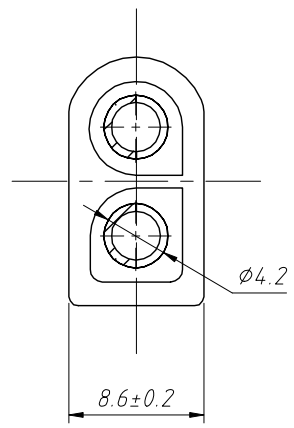
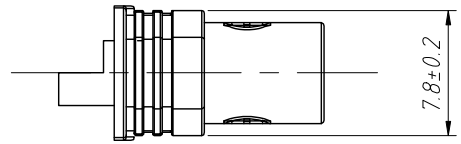
Material:
 Female Housing:PA66 UL94-V0, Yellow Color
 Male Terminal:H59 Brass, Gold Plated
 Weight:2.8g
 Package Way:500PCS/Bag
 Supporting use:KLS1-XT60U-M

Electrical Characteristics:
 Instant current:60A
 Rated current:30A
 Rated voltage:DC500V
 Contact resistance:0.55mΩ
 Operating temperature:-20oC ~ +130oC
 Recommended wire gauge:12AWG

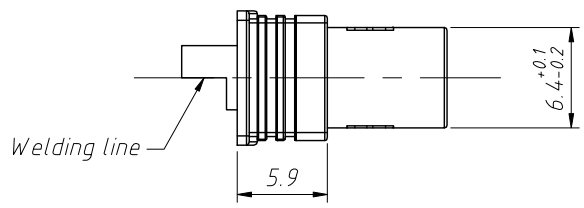
ANGLE TOLERANCE	PROJECTION	Description:	
±3°		XT60 30A Lithium battery connector Female	
GENERAL TOLERANCE	UNITS	mm	KLS P/N:
x.x ±0.30	SHEET SIZE	A4	L-KLS1-XT60U-F-8-N
x.xx ±0.20	Draw:	Daniel	2022-08-25
x.xxx ±0.10	Check:	Daniel	2022-08-25



1
RoHS Compliance

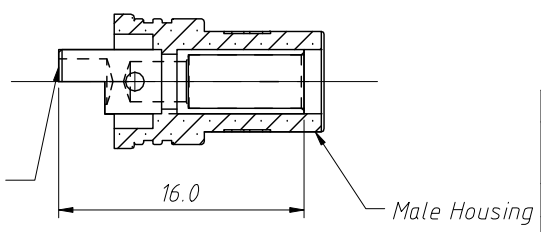


Order Information:
L-KLS1-XT60U-M-8-N
 L: RoHS
 Product series
 Type:
 F-Female M-Male
 Color:8-Yellow
 Waterproof cover:
 N-Without Waterproof cover
 W-With Waterproof cover



Material:
 Male Housing:PA66 UL94-V0, Yellow Color
 Female Terminal:C3604 Brass, 1u"Gold Plated
 Weight:2.9g
 Package Way:500PCS/Bag
 Supporting use:KLS1-XT60U-F

Electrical Characteristics:
 Instant current:60A
 Rated current:30A
 Rated voltage:DC500V
 Contact resistance:0.55mΩ
 Operating temperature:-20°C ~ +120°C
 Recommended wire gauge:12AWG



ANGLE TOLERANCE	PROJECTION	Description:	
±3°		XT60 30A Lithium battery connector Male	
GENERAL TOLERANCE	UNITS	mm	KLS P/N:
x.x ±0.30	SHEET SIZE	A4	L-KLS1-XT60U-M-8-N
x.xx ±0.20	Draw:	Daniel	2022-08-25
x.xxx ±0.10	Check:	Daniel	2022-08-25

