



# NINGBO KLS ELECTRONIC CO.,LTD.

## MODEL: KLS3-YS03A-30MM-8R2W & KLS3-YS03B-30MM-8R2W | DESCRIPTION: SPEAKER

### FEATURES

- 2.0W rated power
- 8 ohm rated impedance
- IP67 rated



### SPECIFICATIONS

parameter	conditions/description	min	typ	max	units
input power	max power: IEC-60268-5, filter 60 seconds on, 120 seconds off, 10 cycles (room temp)		2.0	2.5	W
impedance	at 2.0 kHz	6.8	8	9.2	$\Omega$
resonant frequency (Fo)	at 1.0 V	440	550	660	Hz
frequency response		Fo		10,000	Hz
sound pressure level	at 0.1 W, 10 cm, avg at 0.8, 1.0, 1.2, 1.5 kHz	87	90	93	dB
	at 1.5 W, 10 cm, avg at 0.8, 1.0, 1.2, 1.5 kHz	94	97	100	dB
distortion	at 1.5 kHz, 1.0 W, 0.1m			5	%
buzz, rattle, etc.	must be normal at sine wave, Fo~20 kHz			3.46	V
polarity	cone moves forward w/ positive dc current to "+" terminal				
dimensions	$\varnothing 30.0 \times 5.7$				mm
magnet	Nd-Fe-B				
frame material	SPCC				
cone material	PEI				
terminal	solder pads				
weight			7.7		g
operating temperature		-30		70	$^{\circ}\text{C}$
storage temperature		-40		80	$^{\circ}\text{C}$
hand soldering	for maximum 3 seconds	370	380	390	$^{\circ}\text{C}$
RoHS	yes				
IP level	IP67 (front side)				

Notes: 1. All specifications measured at 5~35 $^{\circ}\text{C}$ , humidity at 45~85%, under 86~106 kPa pressure, unless otherwise noted.

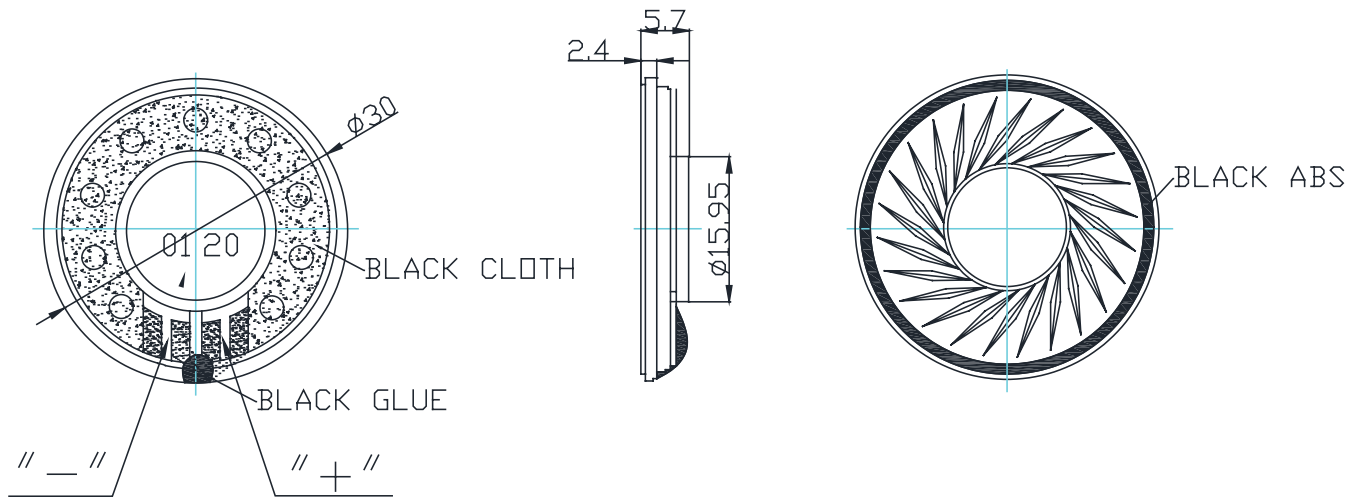


# NINGBO KLS ELECTRONIC CO.,LTD.

MODEL: KLS3-YS03A-30MM-8R2W & KLS3-YS03B-30MM-8R2W | DESCRIPTION: SPEAKER

## MECHANICAL DRAWING

units: mm  
tolerance:  $\pm 0.2$  mm





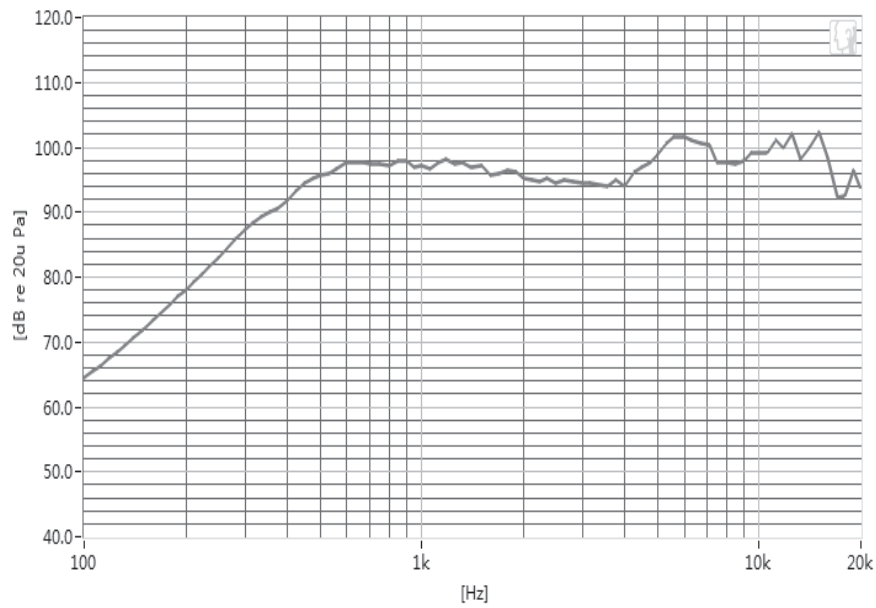
# NINGBO KLS ELECTRONIC CO.,LTD.

MODEL: KLS3-YS03A-30MM-8R2W & KLS3-YS03B-30MM-8R2W | DESCRIPTION: SPEAKE

## RESPONSE CURVES

### Frequency Response Curve

Test Conditions: 1.5 W / 10 cm



### Total Harmonic Distortion Curve

Test Conditions: 1.5 W / 10 cm

