



NINGBO KLS ELECTRONIC CO.,LTD.

MODEL: KLS3-YS03A-20MM-16R0.5W | **DESCRIPTION:** SPEAKER

FEATURES

- 32 Ohm
- rated 0.5 W
- solder pads



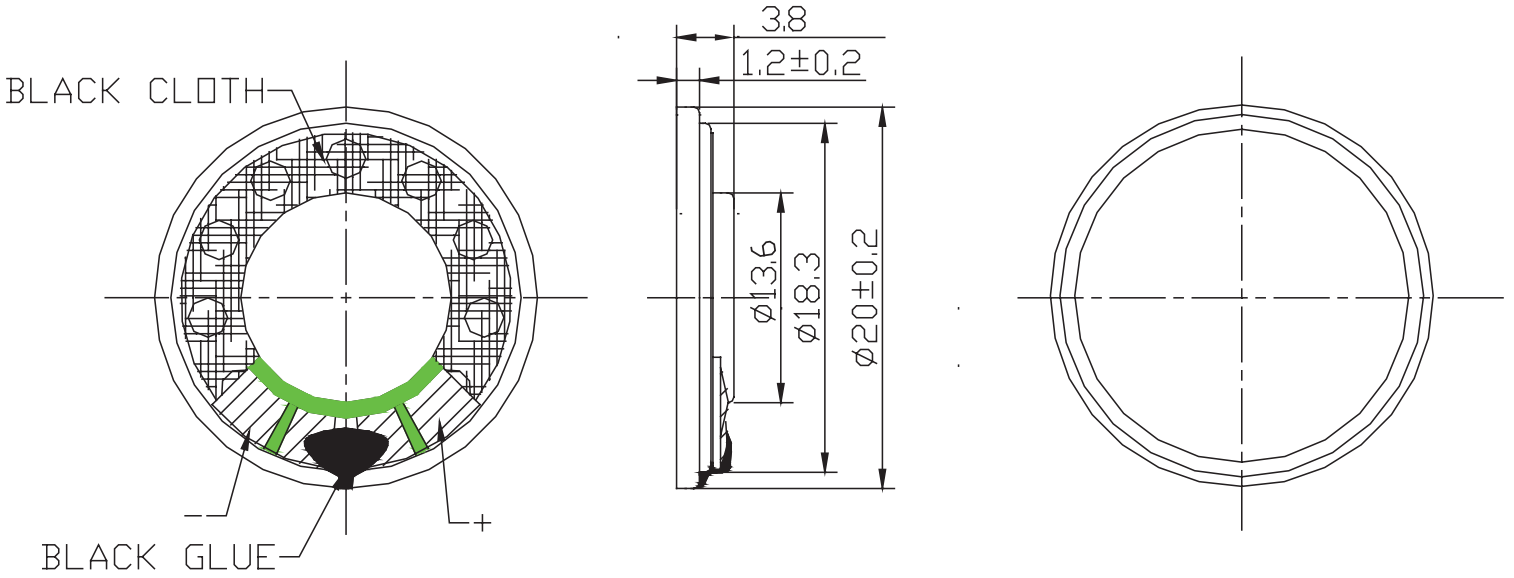
SPECIFICATIONS

item	specification
Rated Power	0.5W
Rated impedance	16Ω±15%
Output S.P.L	86±3dB At 0.1W/0.1M at1.0k,1.2k,1.5k,2.0KHz
Resonance Freq	850H±20% At 1.0V
Frequency Range	F0-20K
Max Distortion	5%
Magnet Material	Nd-Fe-B
Operate temp	-20~±55 C
dimensions	Ø20 x 3.8
RoHS	yes

MODEL: KLS3-YS03A-20MM-16R0.5W | DESCRIPTION: SPEAKER

MECHANICAL DRAWING

units: mm
tolerance: ±0.3 mm



FREQUENCY RESPONSE CURVE

