



NINGBO KLS ELECTRONIC CO.,LTD.

MODEL: KLS3-YS02B-23MM-8R1W | **DESCRIPTION:** SPEAKER

FEATURES

- 23 mm
- round frame
- 1.0 W
- 8 Ω
- neodymium magnet
- mylar cone



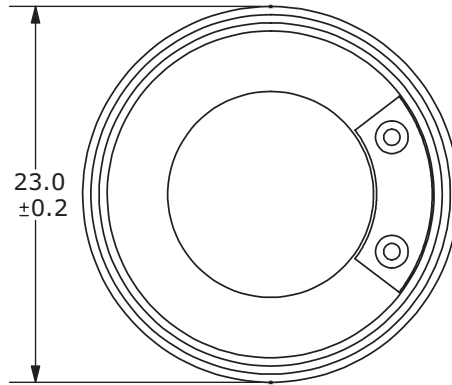
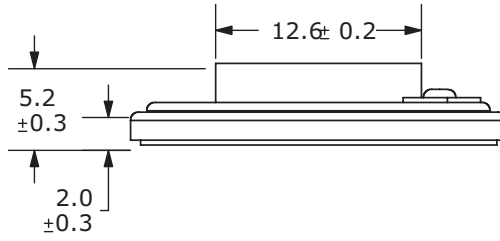
SPECIFICATIONS

parameter	conditions/description	min	typ	max	units
input power			1.0	1.2	W
impedance	at 1.0 kHz, 1.0 V	6.8	8	9.2	Ω
resonant frequency (Fo)	at 1.0 V	504	630	756	Hz
frequency response		Fo		18,000	Hz
sound pressure level	at 1.0 W, 50 cm, avg at 0.8, 1.0, 1.2, 1.5 kHz	85	88	91	dB
buzz, rattle, etc.	must be normal at sine wave			2.0	V
dimensions	Ø23 x 5				mm
magnet	Nd-Fe-B				
cone material	mylar				
terminal	solder pads				
operating temperature		-25		60	°C
hand soldering	for maximum 3 seconds	340	350	360	°C
RoHS	yes				

MODEL: KLS3-YS02B-23MM-8R1W | DESCRIPTION: SPEAKER

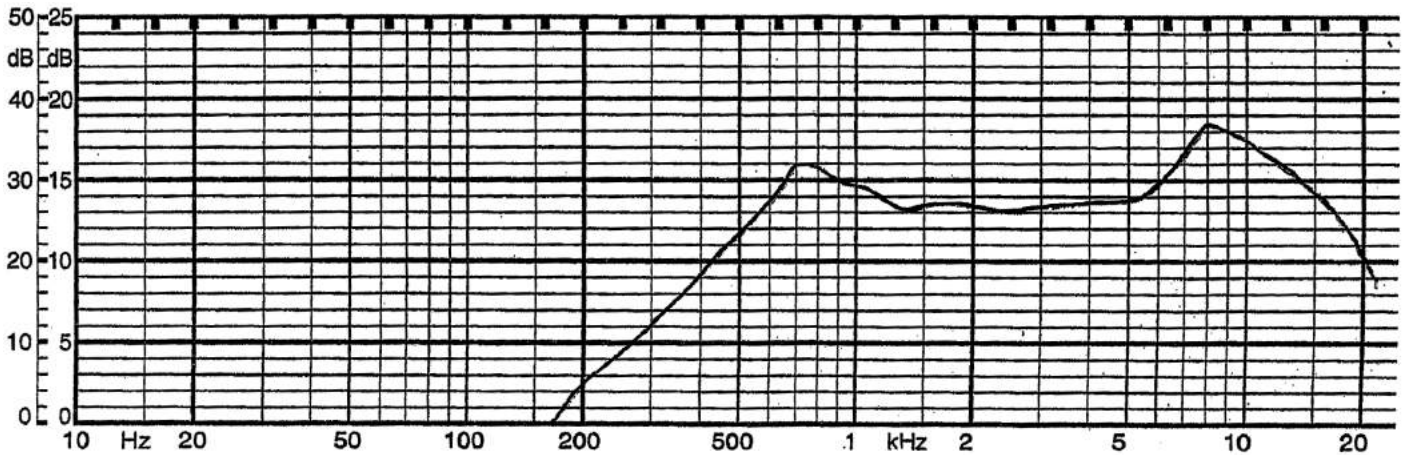
MECHANICAL DRAWING

units: mm



FREQUENCY RESPONSE CURVE

parameter	conditions/description
potentiometer range	50 dB
rectifier	RMS
lower limit frequency	20 Hz
wr. speed	100 mm/sec
zero level	60 dB





NINGBO KLS ELECTRONIC CO.,LTD.

MODEL: KLS3-YS02B-23MM-8R1W | **DESCRIPTION:** SPEAKER

REVISION HISTORY

rev.	description	date
1.0	initial release	07/03/2007
1.01	updated datasheet	02/01/2010
1.02	brand update	02/05/2021

The revision history provided is for informational purposes only and is believed to be accurate.