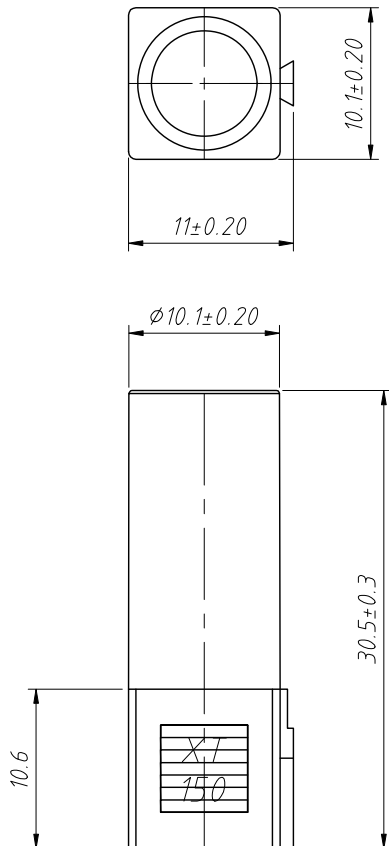
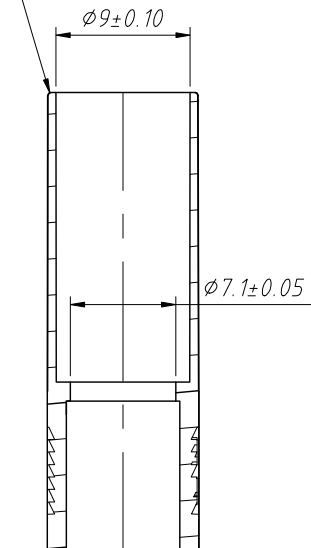


1 RoHS Compliance

Female Housing



Order Information:

L-KLS1-XT150-01-FH-3

L: RoHS

Product series

Type:

FH-Female Housing

MH-Male Housing

FT-Female Terminal

MT-Male Terminal

Color: 3-Black 6-Red

Electrical Characteristics:

Instant current:130A

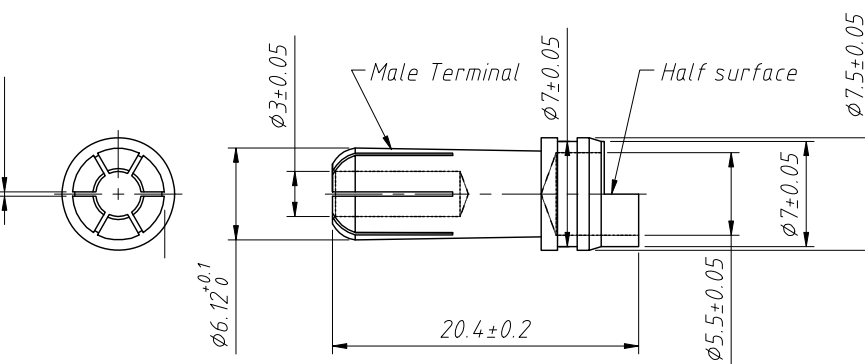
Rated current:60A

Contact resistance:0.25mΩ Max

Usage times:100 Times

Soldring Spec:450°C/4S

Recommended wire gauge:8 10 12 AWG



L-KLS1-XT150-01-MT

Material:

Female Housing:PA66 UL94-V2,Black/Red Color

Male Terminal:7.5×20.4,H59 Brass,Gold Plated

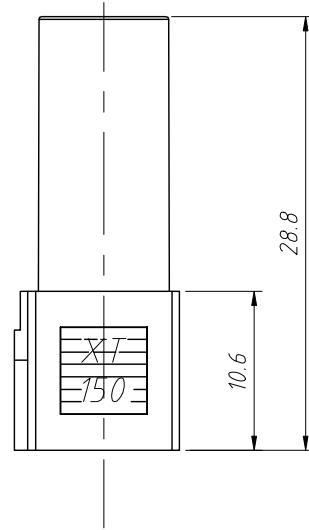
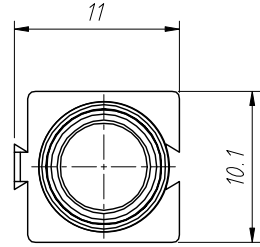
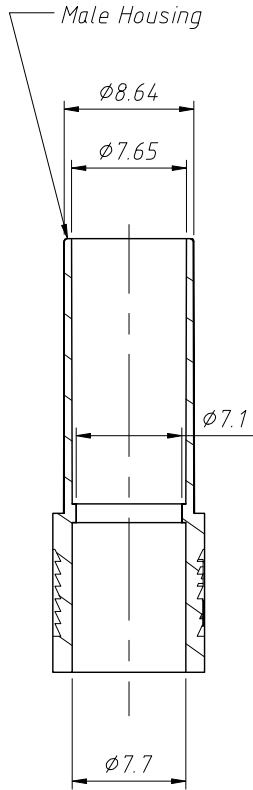
Package Way:500PCS/Bag

Description:

1. There is no glue in the shell, variegated, black spots and poor cracking;
2. Hardware terminal plating surface bright, no oxidation, peeling and other bad.

ANGLE TOLERANCE	PROJECTION	Description:
±3°		XT150 Female Housing Contains Male Terminal
GENERAL TOLERANCE	UNITS	mm
x.x ±0.30	SHEET SIZE	A4
x.xx ±0.20	Draw:	Daniel 2022-08-25
x.xxx ±0.10	Check:	Daniel 2022-08-25
		KLS NingBo KLS ELECTRONIC CO.,L TD.

1 RoHS Compliance



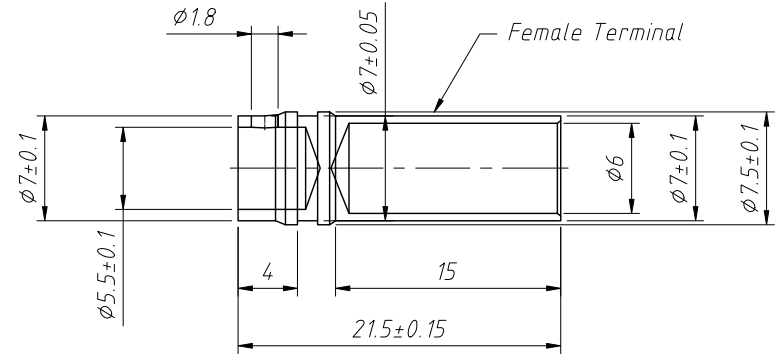
**Order Information:**

L-KLS1-XT150-01-MH-3

L: RoHS  
 Product series  
 Type:  
 FH-Female Housing  
 MH-Male Housing  
 FT-Female Terminal  
 MT-Male Terminal  
 Color:3-Black 6-Red

**Electrical Characteristics:**

Instant current:130A  
 Rated current:60A  
 Contact resistance:0.25mΩ Max  
 Usage times:100 Times  
 Soldering Spec:450°C/4S  
 Recommended wire gauge:8 10 12 AWG



L-KLS1-XT150-01-FT

**Material:**

Male Housing:PA66 UL94-V2,Black/Red Color  
 Female Terminal:7.5×21.5,H59 Brass,Gold Plated  
 Package Way:500PCS/Bag

**Description:**

1. There is no glue in the shell, variegated, black spots and poor cracking;
2. Hardware terminal plating surface bright, no oxidation, peeling and other bad.

ANGLE TOLERANCE	PROJECTION	Description:
±3°		XT150 Male Housing Contains Female Terminal
GENERAL TOLERANCE	UNITS	mm
x.x ±0.30	SHEET SIZE	A4
x.xx ±0.20	Draw:	Daniel 2022-08-25
x.xxx ±0.10	Check:	Daniel 2022-08-25



NingBo KLS ELECTRONIC CO.,L TD.