



NINGBO KLS ELECTRONIC CO.,LTD.

MODEL: KLS3-YS01A-28MM-8R0.5W & KLS3-YS01B-28MM-8R0.5W | **DESCRIPTION:** SPEAKER

FEATURES

- 28 mm
- round frame
- 0.5 W
- 8 Ω
- neodymium magnet
- mylar cone



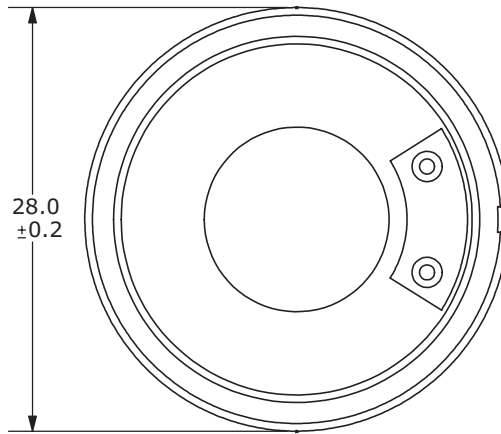
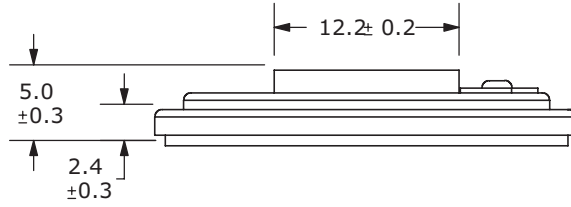
SPECIFICATIONS

parameter	conditions/description	min	typ	max	units
input power			0.5	1.0	W
impedance	at 1.5 kHz, 1.0 V	6.8	8	9.2	Ω
resonant frequency (Fo)	at 1.0 V	440	550	660	Hz
frequency response		Fo		10,000	Hz
sound pressure level	at 0.5 W, 50 cm, avg at 0.8, 1.0, 1.2, 1.5 kHz	82	85	88	dB
buzz, rattle, etc.	must be normal at sine wave			2.0	V
dimensions	Ø28 x 5				mm
magnet	Nd-Fe-B				
cone material	mylar				
terminal	solder pads				
weight			4.9		g
operating temperature		-25		60	°C
hand soldering	for maximum 3 seconds	340	350	360	°C
RoHS	yes				

MODEL: KLS3-YS01A-28MM-8R0.5W & KLS3-YS01B-28MM-8R0.5W | DESCRIPTION: SPEAKER

MECHANICAL DRAWING

units: mm



FREQUENCY RESPONSE CURVE

parameter	conditions/description
potentiometer range	50 dB
rectifier	RMS
lower limit frequency	20 Hz
wr. speed	100 mm/sec
zero level	60 dB

