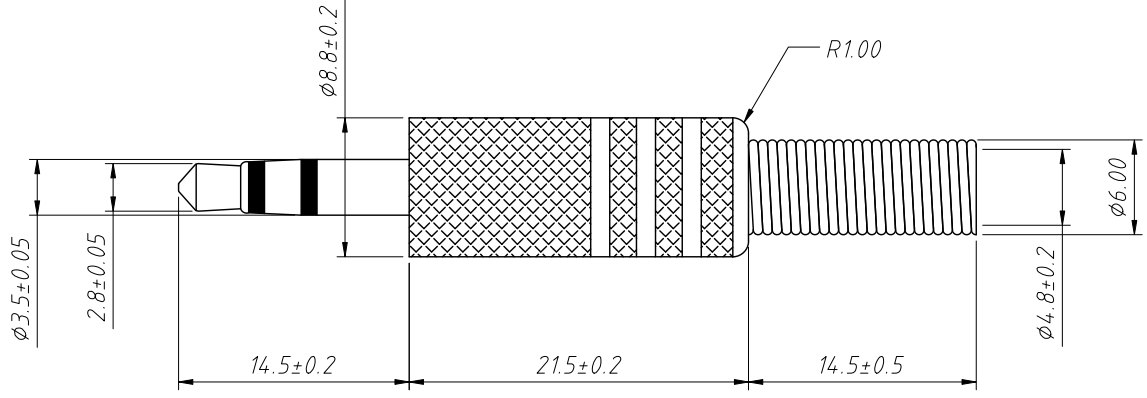


1
RoHS Compliance



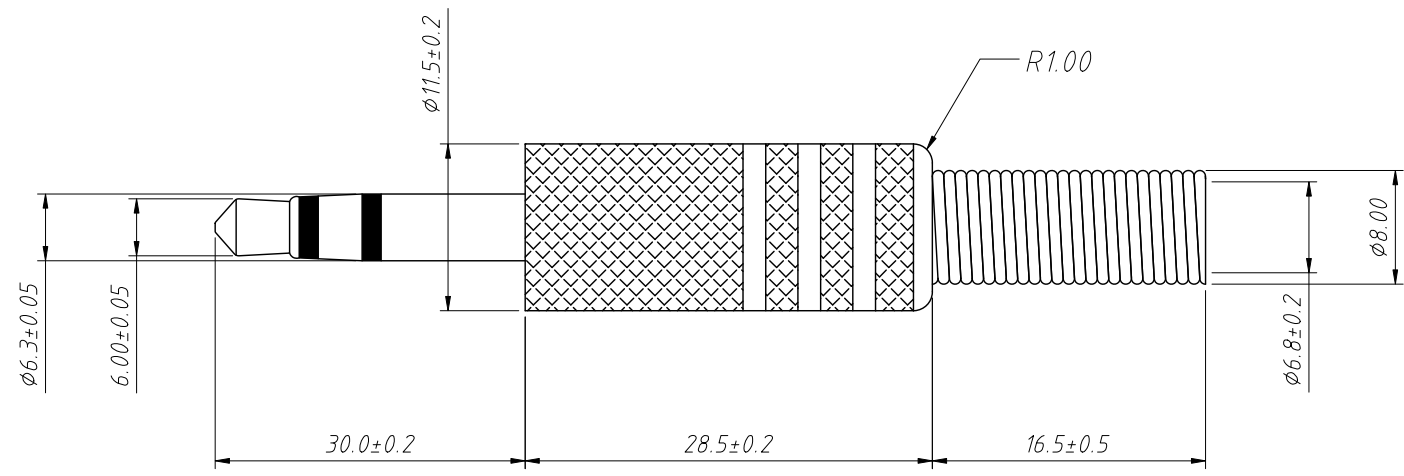
Order Information:
L-KLS1-PLG-002A-3.5-□
 L: RoHS
 Part No.
 3.5mm Mono plug
 Contacts: G-Gold Plated
 N-Nickel-plated

Material:
 Housing: Metal Housing
 Contacts: Nickel Plated
 Gold Plated

Electrical Characteristics:
 Working Voltage: 30V

| | | | | |
|-------------------|------------|---|------------|---------------------------------|
| ANGLE TOLERANCE | PROJECTION | Description: | | |
| ±3° | | 3.5mm Stereo Plug Connector, Metal Housing. | | |
| GENERAL TOLERANCE | UNITS | mm | KLS P/N: | L-KLS1-PLG-002A-3.5-□ |
| x.x ±0.30 | SHEET SIZE | A4 | 2:1 | NingBo KLS ELECTRONIC CO.,L TD. |
| x.xx ±0.20 | Draw: | Daniel | 2022-09-12 | |
| x.xxx ±0.10 | Check: | Daniel | 2022-09-12 | |

1
RoHS Compliance



Order Information:
L-KLS1-PLG-002A-6.3-□
 L: RoHS
 Part No.
 6.3mm Mono plug
 Contacts: G-Gold Plated
 N-Nickel-plated

Material:
 Housing: Metal Housing
 Contacts: G-Gold Plated
 N-Nickel-plated
 Electrical Characteristics:
 Working Voltage: 30V

| | | | |
|-------------------|------------|---|-----------------------|
| ANGLE TOLERANCE | PROJECTION | Description: | |
| $\pm 3^\circ$ | | 6.3mm Stereo Plug Connector, Metal Housing. | |
| GENERAL TOLERANCE | UNITS | mm | KLS P/N: |
| x.x ± 0.30 | SHEET SIZE | A4 | L-KLS1-PLG-002A-6.3-□ |
| x.xx ± 0.20 | Draw: | Daniel | 2022-09-15 |
| x.xxx ± 0.10 | Check: | Daniel | 2022-09-15 |

