

1
RoHS Compliance

2

3

4

5

6

7

8

A

B

C

D

E

F

G

H

A

B

C

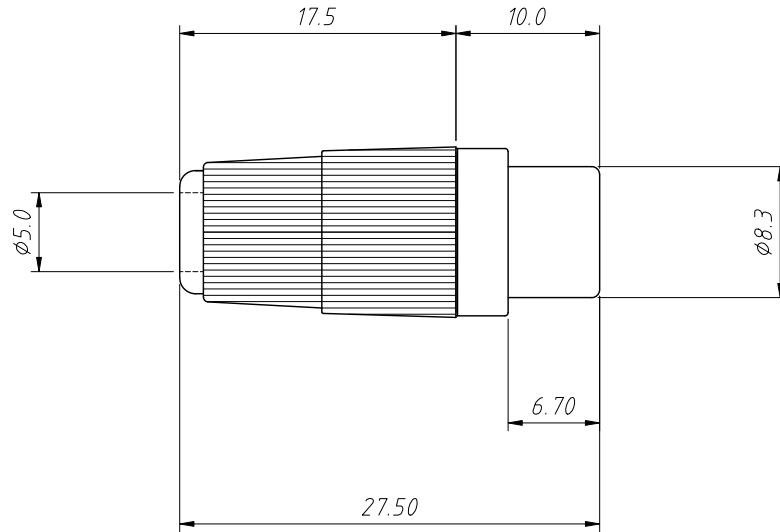
D

E

F

G

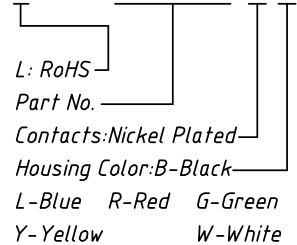
H



Description:
Connector Type:Phono (RCA) Socket
Gender: Female
Signal Lines:Mono
Shielding:Unshielded
Color - Contact:Silver
Packaging:Bulk
Contact Material:Brass
Housing Color:Black,Blue,Red,Green,Yellow.....
Housing Material:Thermoplastic
Cable Diam:4.7mm Max.
Operating Temperature:-20°C ~ 85°C

Order Information:

L-KLS1-RCA-PF02-N-B



ANGLE TOLERANCE	PROJECTION	Description:	RCA Phono Socket Connector, Nickel Plated,Plastic Housing
±3°			
GENERAL TOLERANCE	UNITS	mm	KLS P/N:
x.x ±0.30	SHEET SIZE	A4	L-KLS1-RCA-PF02-N-B
x.xx ±0.20	Draw:	Daniel	2022-09-15
x.xxx ±0.10	Check:	Daniel	2022-09-15



NingBo KLS ELECTRONIC CO.,L TD.

1

2

3

4

5

6

7

8