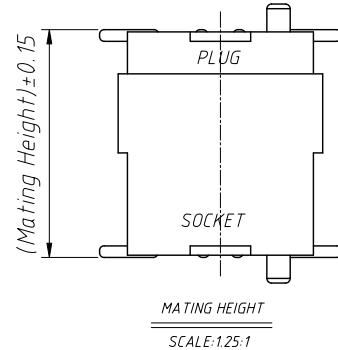
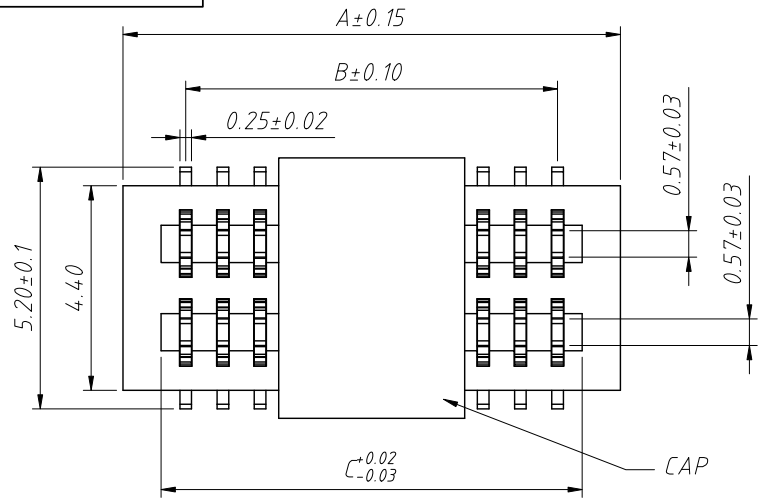
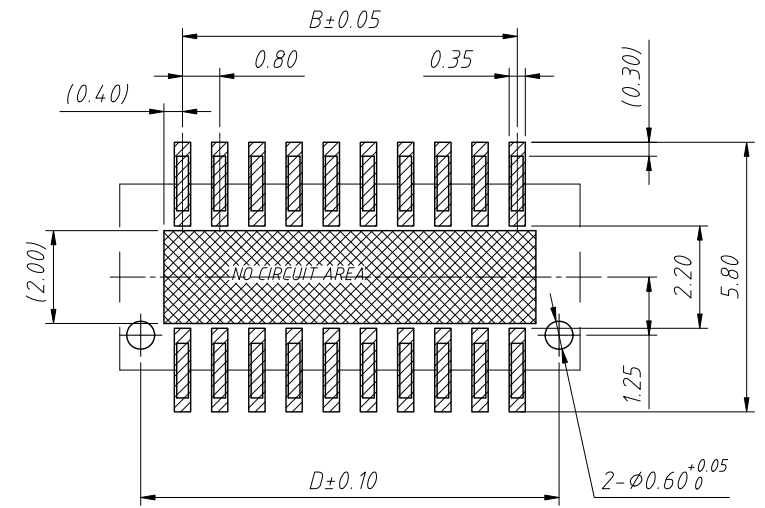
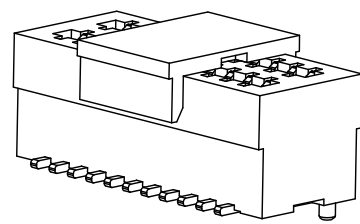
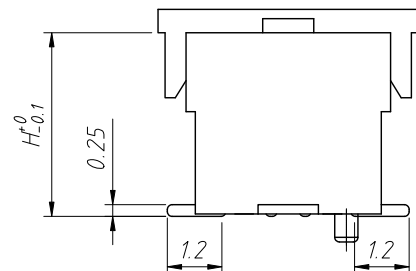
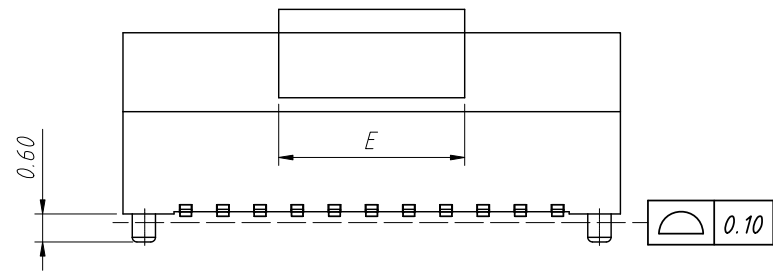


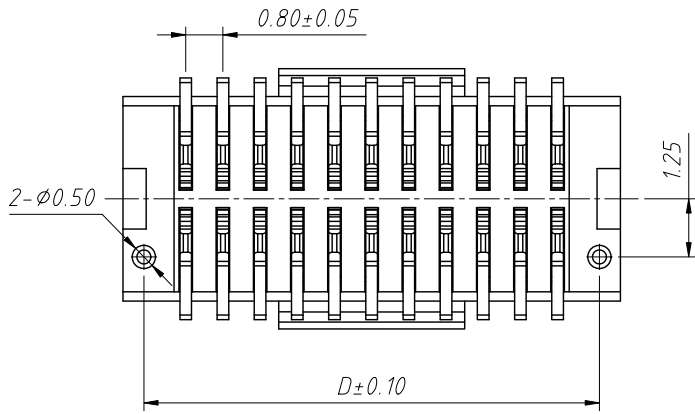
RoHS Compliance



| Mating Height (H.) | Plug (H.) | Socket (H.) | No. of Pins | Dimensions |       |       |       |     | No. of Pins | Dimensions |       |       |      |    |
|--------------------|-----------|-------------|-------------|------------|-------|-------|-------|-----|-------------|------------|-------|-------|------|----|
|                    |           |             |             | A.         | B.    | C.    | D.    | E.  |             | A.         | B.    | C.    | D.   | E. |
| 4.0                | 1.0       | 3.0         | 4           | 3.50       | 0.80  | 1.86  | 2.60  | 54  | 23.50       | 20.80      | 21.86 | 22.60 | 4.00 |    |
| 4.5                | 1.0       | 3.5         | 6           | 4.30       | 1.60  | 2.66  | 3.40  | 56  | 24.30       | 21.60      | 22.66 | 23.40 | 8.00 |    |
| 5.0                | 1.0       | 4.0         | 8           | 5.10       | 2.40  | 3.46  | 4.20  | 58  | 25.10       | 22.40      | 23.46 | 24.20 | 8.00 |    |
| 5.5                | 1.0       | 4.5         | 10          | 5.90       | 3.20  | 4.26  | 5.00  | 60  | 25.90       | 23.20      | 24.26 | 25.00 | 8.00 |    |
| 6.0                | 2.0       | 4.0         | 12          | 6.70       | 4.00  | 5.06  | 5.80  | 62  | 26.70       | 24.00      | 25.06 | 25.80 | 8.00 |    |
| 6.5                | 2.0       | 4.5         | 14          | 7.50       | 4.80  | 5.86  | 6.60  | 64  | 27.50       | 24.80      | 25.86 | 26.60 | 8.00 |    |
|                    |           |             | 16          | 8.30       | 5.60  | 6.66  | 7.40  | 66  | 28.30       | 25.60      | 26.66 | 27.40 | 8.00 |    |
|                    |           |             | 18          | 9.10       | 6.40  | 7.46  | 8.20  | 68  | 29.10       | 26.40      | 27.46 | 28.20 | 8.00 |    |
|                    |           |             | 20          | 9.90       | 7.20  | 8.26  | 9.00  | 70  | 29.90       | 27.20      | 28.26 | 29.00 | 8.00 |    |
|                    |           |             | 22          | 10.70      | 8.00  | 9.06  | 9.80  | 72  | 30.70       | 28.00      | 29.06 | 29.80 | 8.00 |    |
|                    |           |             | 24          | 11.50      | 8.80  | 9.86  | 10.60 | 74  | 31.50       | 28.80      | 29.86 | 30.60 | 8.00 |    |
|                    |           |             | 26          | 12.30      | 9.60  | 10.66 | 11.40 | 76  | 32.30       | 29.60      | 30.66 | 31.40 | 8.00 |    |
|                    |           |             | 28          | 13.10      | 10.40 | 11.46 | 12.20 | 78  | 33.10       | 30.40      | 31.46 | 32.20 | 8.00 |    |
|                    |           |             | 30          | 13.90      | 11.20 | 12.26 | 13.00 | 80  | 33.90       | 31.20      | 32.26 | 33.00 | 8.00 |    |
|                    |           |             | 32          | 14.70      | 12.00 | 13.06 | 13.80 | 82  | 34.70       | 32.00      | 33.06 | 33.80 | 8.00 |    |
|                    |           |             | 34          | 15.50      | 12.80 | 13.86 | 14.60 | 84  | 35.50       | 32.80      | 33.86 | 34.60 | 8.00 |    |
|                    |           |             | 36          | 16.30      | 13.60 | 14.66 | 15.40 | 86  | 36.30       | 33.60      | 34.66 | 35.40 | 8.00 |    |
|                    |           |             | 38          | 17.10      | 14.40 | 15.46 | 16.20 | 88  | 37.10       | 34.40      | 35.46 | 36.20 | 8.00 |    |
|                    |           |             | 40          | 17.90      | 15.20 | 16.26 | 17.00 | 90  | 37.90       | 35.20      | 36.26 | 37.00 | 8.00 |    |
|                    |           |             | 42          | 18.70      | 16.00 | 17.06 | 17.80 | 92  | 38.70       | 36.00      | 37.06 | 37.80 | 8.00 |    |
|                    |           |             | 44          | 19.50      | 16.80 | 17.86 | 18.60 | 94  | 39.50       | 36.80      | 37.86 | 38.60 | 8.00 |    |
|                    |           |             | 46          | 20.30      | 17.60 | 18.66 | 19.40 | 96  | 40.30       | 37.60      | 38.66 | 39.40 | 8.00 |    |
|                    |           |             | 48          | 21.10      | 18.40 | 19.46 | 20.20 | 98  | 41.10       | 38.40      | 39.46 | 40.20 | 8.00 |    |
|                    |           |             | 50          | 21.90      | 19.20 | 20.26 | 21.00 | 100 | 41.90       | 39.20      | 40.26 | 41.00 | 8.00 |    |



RECOMMENDED PCB PATTERN DIM.  
TOLERANCE : ±0.05



Conding Information:  
L-KLS1-B0908-300 F XXP-T3R

L: RoHS-  
Board To Board  
Pitch-0.80mm  
Height-3.00mm  
Type:F-Female  
XX-No. Of Contact  
Installation mode:  
T=SMD Without Post, T3=SMD With Post  
Packing:R=Reel T-Tube

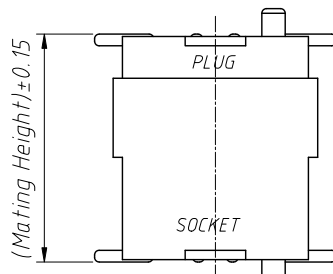
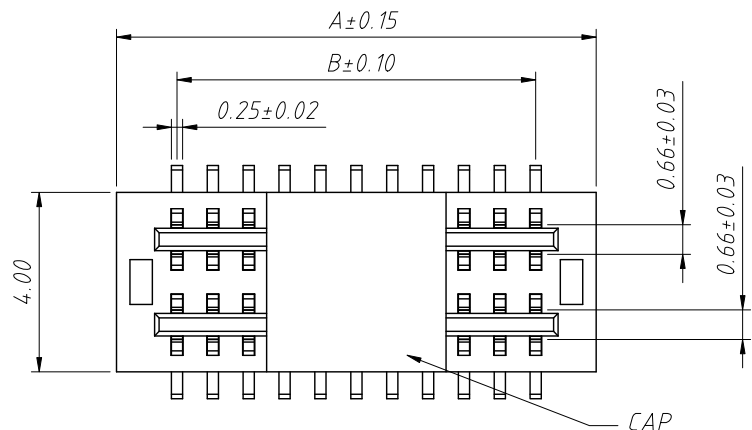
- Notes:
- 1.Housing:PA9T High-Temp Thermoplastic,UL 94 V-0
  - 2.Color:Black
  - 3.Terminal:Phosphor Bronze
  - 4.Plating:1μ"Gold Flash Overall 50~100μ"Nickel Under Plated.

| ANGLE TOLERANCE   | PROJECTION | Description:                |
|-------------------|------------|-----------------------------|
| ±3°               |            | 0.8mm Board To Board Socket |
| GENERAL TOLERANCE | UNITS      | mm                          |
| x.x ±0.30         | SHEET SIZE | A4                          |
| x.xx ±0.20        | Draw:      | Daniel                      |
| x.xxx ±0.10       | Check:     | Daniel                      |

L-KLS1-B0908-300FXXP-T3R

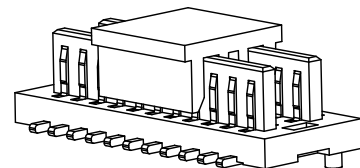
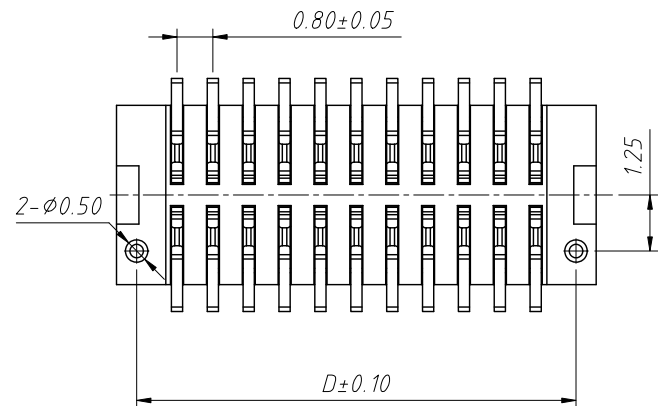
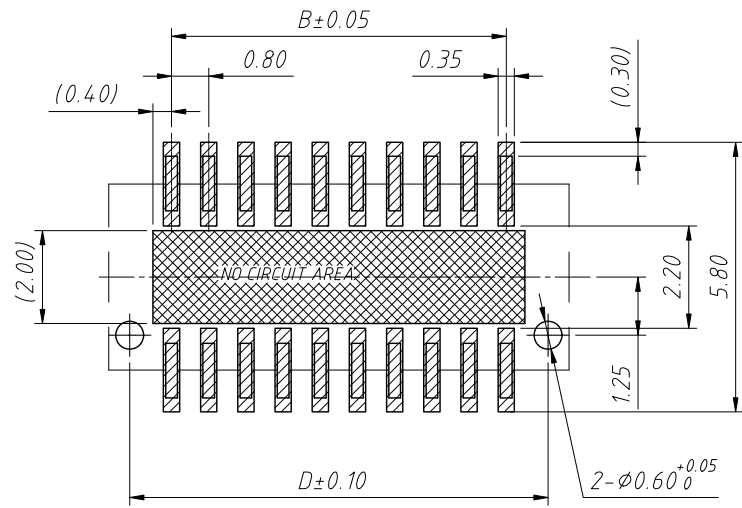
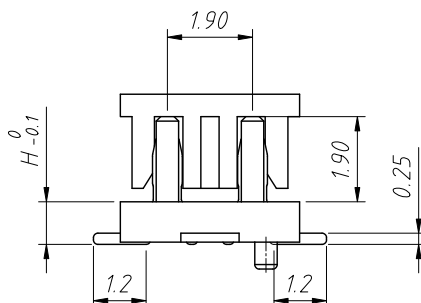
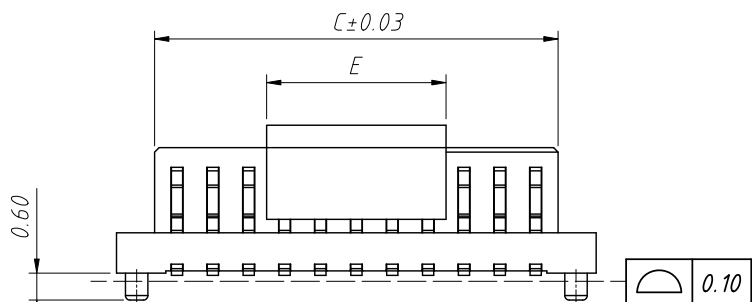
NingBo KLS ELECTRONIC CO.,L.TD.

RoHS Compliance



MATING HEIGHT  
SCALE:1:25:1

| Mating Height (H.) | Plug (H.) | Socket (H.) | No. of Pins | Dimensions |       |       |       |     | No. of Pins | Dimensions |       |       |      |    |
|--------------------|-----------|-------------|-------------|------------|-------|-------|-------|-----|-------------|------------|-------|-------|------|----|
|                    |           |             |             | A.         | B.    | C.    | D.    | E.  |             | A.         | B.    | C.    | D.   | E. |
| 4.0                | 1.0       | 3.0         | 4           | 3.50       | 0.80  | 1.80  | 2.60  | 54  | 23.50       | 20.80      | 21.80 | 22.60 | 8.00 |    |
| 4.5                | 1.0       | 3.5         | 6           | 4.30       | 1.60  | 2.60  | 3.40  | 56  | 24.30       | 21.60      | 22.60 | 23.40 | 8.00 |    |
| 5.0                | 1.0       | 4.0         | 8           | 5.10       | 2.40  | 3.40  | 4.20  | 58  | 25.10       | 22.40      | 23.40 | 24.20 | 8.00 |    |
| 5.5                | 1.0       | 4.5         | 10          | 5.90       | 3.20  | 4.20  | 5.00  | 60  | 25.90       | 23.20      | 24.20 | 25.00 | 8.00 |    |
| 6.0                | 2.0       | 4.0         | 12          | 6.70       | 4.00  | 5.00  | 5.80  | 62  | 26.70       | 24.00      | 25.00 | 25.80 | 8.00 |    |
| 6.5                | 2.0       | 4.5         | 14          | 7.50       | 4.80  | 5.80  | 6.60  | 64  | 27.50       | 24.80      | 25.80 | 26.60 | 8.00 |    |
|                    |           |             | 16          | 8.30       | 5.60  | 6.60  | 7.40  | 66  | 28.30       | 25.60      | 26.60 | 27.40 | 8.00 |    |
|                    |           |             | 18          | 9.10       | 6.40  | 7.40  | 8.20  | 68  | 29.10       | 26.40      | 27.40 | 28.20 | 8.00 |    |
|                    |           |             | 20          | 9.90       | 7.20  | 8.20  | 9.00  | 70  | 29.90       | 27.20      | 28.20 | 29.00 | 8.00 |    |
|                    |           |             | 22          | 10.70      | 8.00  | 9.00  | 9.80  | 72  | 30.70       | 28.00      | 29.00 | 29.80 | 8.00 |    |
|                    |           |             | 24          | 11.50      | 8.80  | 9.80  | 10.60 | 74  | 31.50       | 28.80      | 29.80 | 30.60 | 8.00 |    |
|                    |           |             | 26          | 12.30      | 9.60  | 10.60 | 11.40 | 76  | 32.30       | 29.60      | 30.60 | 31.40 | 8.00 |    |
|                    |           |             | 28          | 13.10      | 10.40 | 11.40 | 12.20 | 78  | 33.10       | 30.40      | 31.40 | 32.20 | 8.00 |    |
|                    |           |             | 30          | 13.90      | 11.20 | 12.20 | 13.00 | 80  | 33.90       | 31.20      | 32.20 | 33.00 | 8.00 |    |
|                    |           |             | 32          | 14.70      | 12.00 | 13.00 | 13.80 | 82  | 34.70       | 32.00      | 33.00 | 33.80 | 8.00 |    |
|                    |           |             | 34          | 15.50      | 12.80 | 13.80 | 14.60 | 84  | 35.50       | 32.80      | 33.80 | 34.60 | 8.00 |    |
|                    |           |             | 36          | 16.30      | 13.60 | 14.60 | 15.40 | 86  | 36.30       | 33.60      | 34.60 | 35.40 | 8.00 |    |
|                    |           |             | 38          | 17.10      | 14.40 | 15.40 | 16.20 | 88  | 37.10       | 34.40      | 35.40 | 36.20 | 8.00 |    |
|                    |           |             | 40          | 17.90      | 15.20 | 16.20 | 17.00 | 90  | 37.90       | 35.20      | 36.20 | 37.00 | 8.00 |    |
|                    |           |             | 42          | 18.70      | 16.00 | 17.00 | 17.80 | 92  | 38.70       | 36.00      | 37.00 | 37.80 | 8.00 |    |
|                    |           |             | 44          | 19.50      | 16.80 | 17.80 | 18.60 | 94  | 39.50       | 36.80      | 37.80 | 38.60 | 8.00 |    |
|                    |           |             | 46          | 20.30      | 17.60 | 18.60 | 19.40 | 96  | 40.30       | 37.60      | 38.60 | 39.40 | 8.00 |    |
|                    |           |             | 48          | 21.10      | 18.40 | 19.40 | 20.20 | 98  | 41.10       | 38.40      | 39.40 | 40.20 | 8.00 |    |
|                    |           |             | 50          | 21.90      | 19.20 | 20.20 | 21.00 | 100 | 41.90       | 39.20      | 40.20 | 41.00 | 8.00 |    |



Conditioning Information:  
 L-KLS1-B0908-290 M XXP-T3R  
 L: RoHS-  
 Board To Board  
 Pitch-0.80mm  
 Height-2.90mm  
 Type:M-Male  
 XX-No. Of Contact  
 Installation mode:  
 T=SMD Without Post, T3=SMD With Post  
 Packing:R=Reel T-Tube

Notes:  
 1.Housing:PA9T High-Temp Thermoplastic,UL94 V-0  
 2.Color:Black  
 3.Terminal:Phosphor Bronze  
 4.Plating:1μ"Gold Flash Overall 50~100μ"Nickel Under Plated.

| ANGLE TOLERANCE   | PROJECTION | Description:              |
|-------------------|------------|---------------------------|
| ±3°               |            | 0.8mm Board To Board Plug |
| GENERAL TOLERANCE | UNITS      | mm                        |
| x.x ±0.30         | SHEET SIZE | A4                        |
| x.xx ±0.20        | Draw:      | Daniel 2022-06-14         |
| x.xxx ±0.10       | Check:     | Daniel 2022-06-14         |

**KLS** NingBo KLS ELECTRONIC CO.,L TD.