

Recommended PCB Board Pattern (Top View)

Pins	Dimension			
	A	B	C	D
20	13.90	9.00	12.22	12.40
30	18.90	14.00	17.22	17.40
40	23.90	19.00	22.22	22.40
50	28.90	24.00	27.22	27.40
60	33.90	29.00	32.22	32.40
64	35.90	31.00	34.22	34.40
70	38.90	34.00	37.22	37.40
80	43.90	39.00	42.22	42.40
84	45.90	41.00	44.22	44.40
90	48.90	44.00	47.22	47.40
100	53.90	49.00	52.22	52.40
110	58.90	54.00	57.22	57.40
120	63.90	59.00	62.22	62.40
Socket Height		Mating Height		
Dim H1		Dim H		
5.35		9.65		
10.35		14.65		

Material;
 Insulator: High-Temp. Plastic, (LCP, UL94V-0)
 Color: Natural
 Contact: Phosphor Bronze, Gold Plated.

Specification:
 1. Contact resistance: 30mΩ Max.
 2. Insulation resistance: 1000MΩ Min
 3. Rated voltage: 250V AC DC.
 4. Rated current: 1.0A AC DC.
 5. Withstand Voltage: 250V AC/Minute.
 6. Temperature Range: -40°C ~ + 85°C.

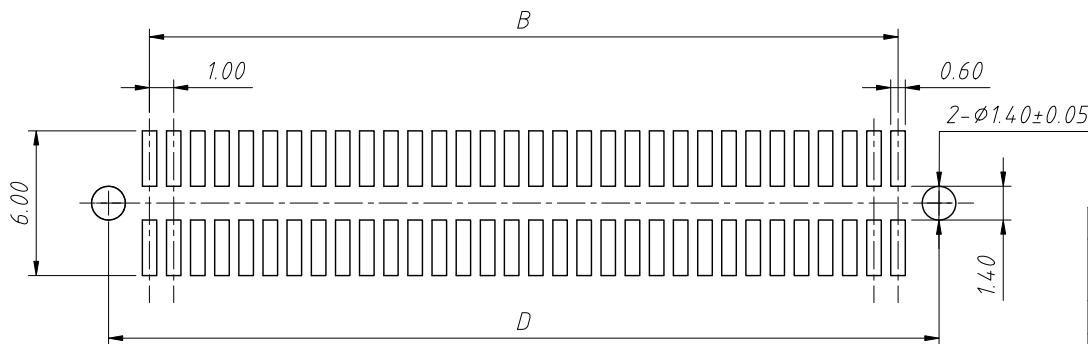
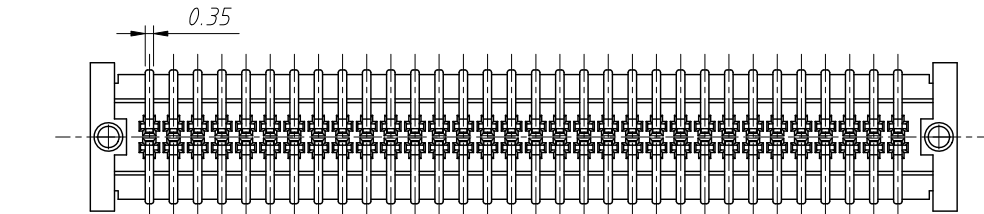
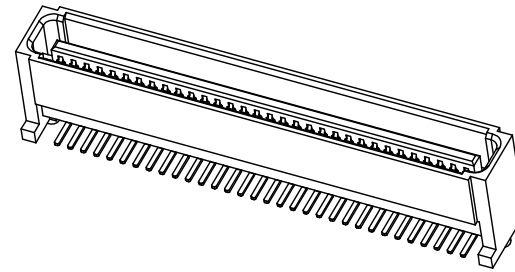
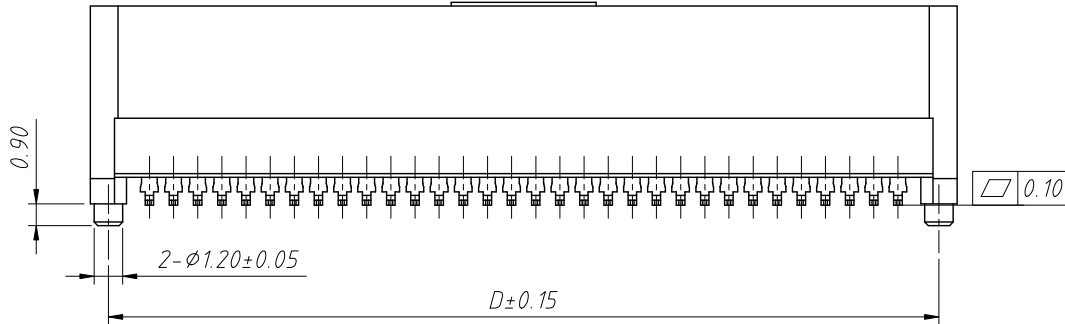
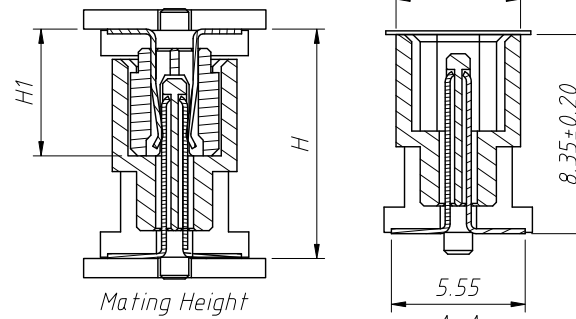
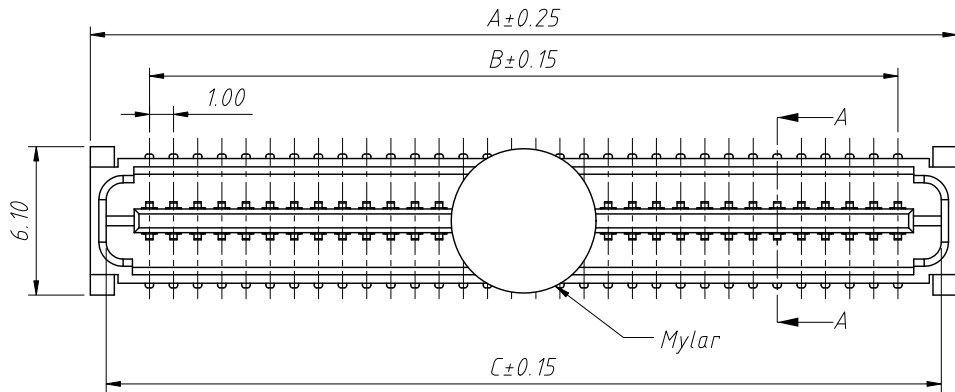
Order Information:
L-KLS1-B0210-535 F XXP-T3R-D

L: RoHS
 Board To Board -
 Pitch - 1.00mm
 Height - 5.35mm
 Type: F-Female
 XX-No. Of Contact
 Installation mode:
 T=SMD Without Post,
 T3=SMD With Post
 Packing: R=Reel T-Tube
 D-With Locating Plate

ANGLE TOLERANCE	PROJECTION	Description:	
±3°		1.00mm Board To Board Socket	
GENERAL TOLERANCE	UNITS	mm	KLS P/N:
x.x ±0.30	SHEET SIZE	A4	L-KLS1-B0210-535FXXP-T3R-D
x.xx ±0.20	Draw:	Daniel	2020-11-11
x.xxx ±0.10	Check:	Daniel	2020-11-11

NingBo KLS ELECTRONIC CO.,L.TD.

RoHS Compliance



Recommended PCB Board Pattern (Top View)

Pins	Dimension			
	A	B	C	D
20	13.90	9.00	12.58	12.40
30	18.90	14.00	17.58	17.40
40	23.90	19.00	22.58	22.40
50	28.90	24.00	27.58	27.40
60	33.90	29.00	32.58	32.40
64	35.90	31.00	34.58	34.40
70	38.90	34.00	37.58	37.40
80	43.90	39.00	42.58	42.40
84	45.90	41.00	44.58	44.40
90	48.90	44.00	47.58	47.40
100	53.90	49.00	52.58	52.40
110	58.90	54.00	57.58	57.40
120	63.90	59.00	62.58	62.40
Socket Height		Mating Height		
Dim H1		Dim H		
5.35		9.65		
10.35		14.65		

Material;
 Insulator: High-Temp. Plastic, LCP UL94V-0
 Color: Natural
 Contact: Phosphor Bronze, Gold Plated.

- Specification:
- Contact resistance: 30mΩ Max.
 - Insulation resistance: 1000MΩ Min
 - Rated voltage: 250V AC DC.
 - Rated current: 1.0A AC DC.
 - Withstand Voltage: 250V AC/Minute.
 - Temperature Range: -40°C ~ + 85°C.

Order Information:

L-KLS1-B0210-835 M XXP-T3R-D

- L: RoHS
- Board To Board
- Pitch-1.00mm
- Height-8.35mm
- Type: M-Male
- XX-No. Of Contact
- Installation mode:
- T=SMD Without Post,
- T3=SMD With Post
- Packing: R=Reel T=Tube
- D-With Locating Plate

ANGLE TOLERANCE	PROJECTION	Description:		
±3°		1.00mm Board To Board Plug		
GENERAL TOLERANCE	UNITS	mm	KLS P/N:	L-KLS1-B0210-835MXXP-T3R-D
x.x	±0.30	SHEET SIZE	A4	
x.xx	±0.20	Draw:	Daniel	2020-11-11
x.xxx	±0.10	Check:	Daniel	2020-11-11



NingBo KLS ELECTRONIC CO.,LTD.