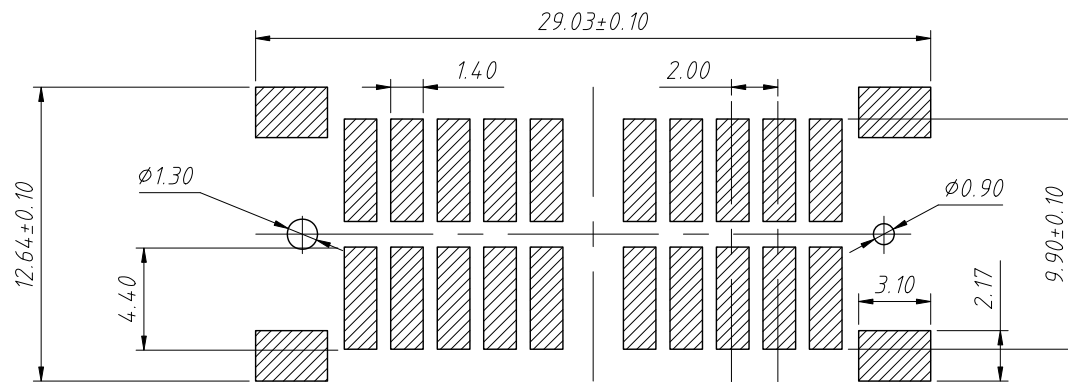
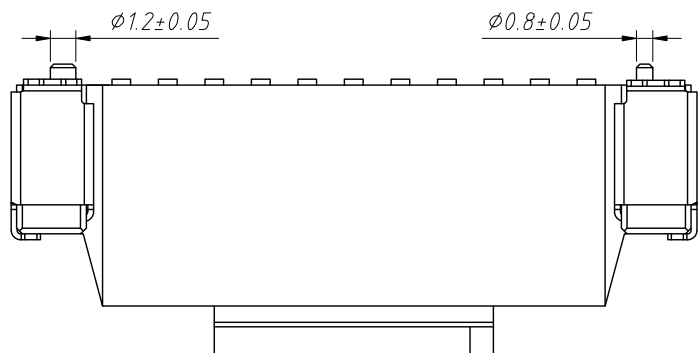
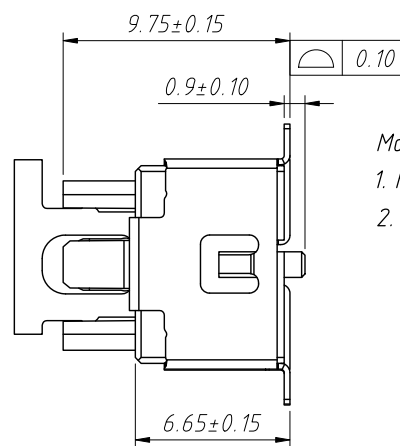
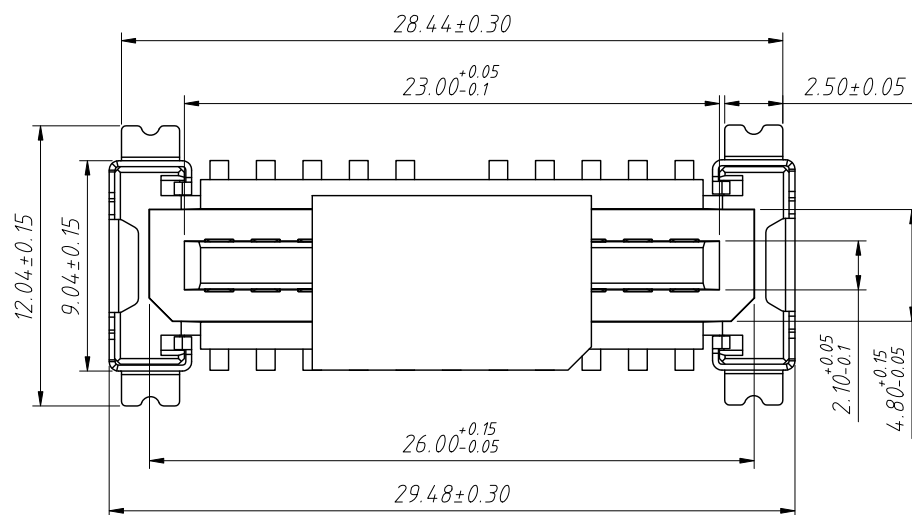


RoHS Compliance



Suggested PCB Layout
(Component Side)



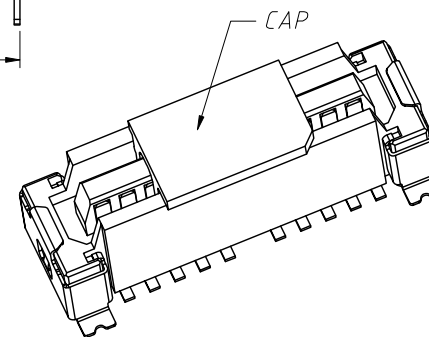
Material;

1. Housing: LCP High-Temp Thermoplastic, UL 94V-0, Color: Black
2. Terminal: Phosphor Bronze, 1u" Gold Flash Overall 50~100u" Nickel Under Plated.

Order Information:

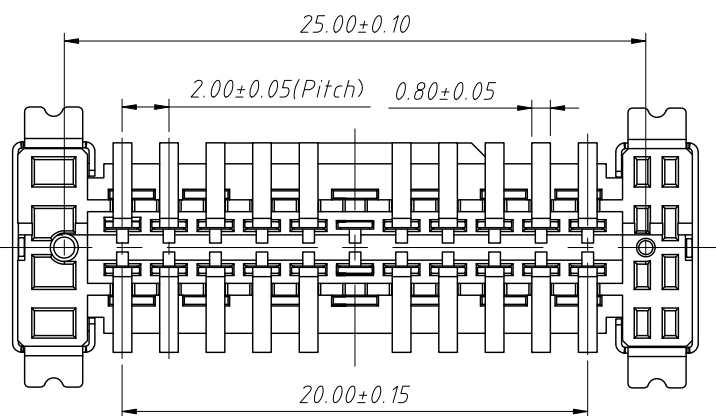
L-KLS1-B0120-975 M XXP-T3R-D

- L: RoHS
- Board To Board
- Pitch-2.00mm
- Height-9.75mm
- Type: M-Male
- XX-No. Of Contact
- Installation mode:
- T=SMD Without Post
- T3=SMD With Post
- Packing: R=Reel T=Tube
- D-With locating plate



Specification:

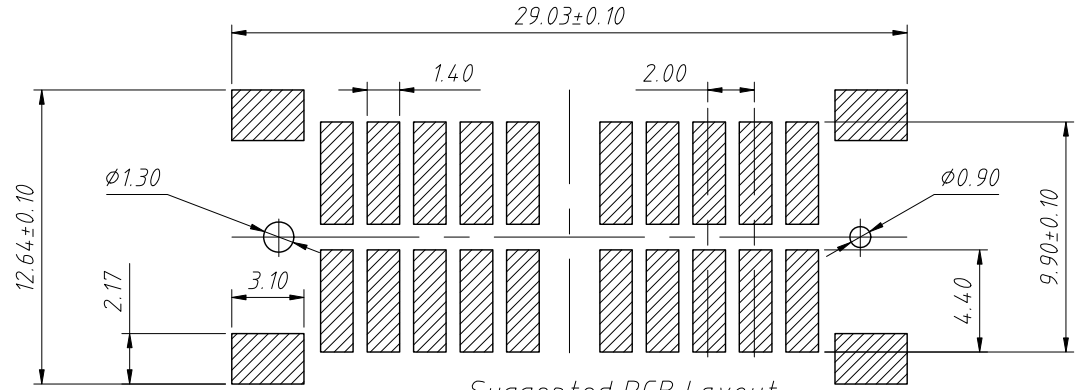
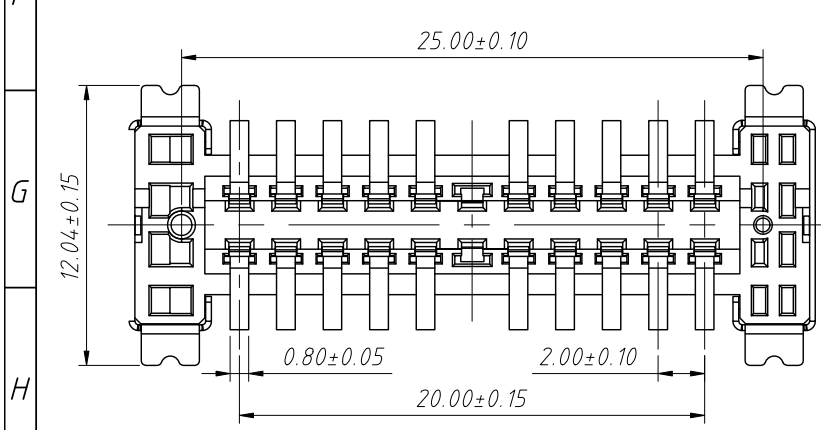
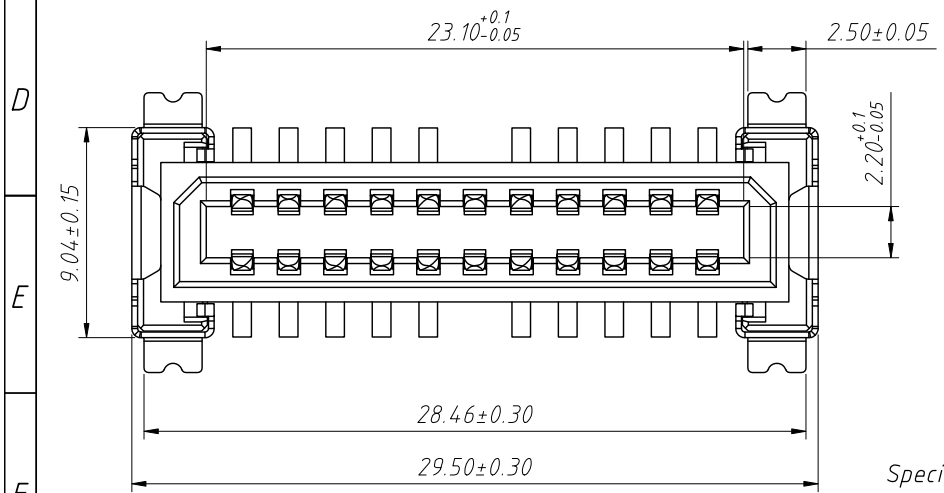
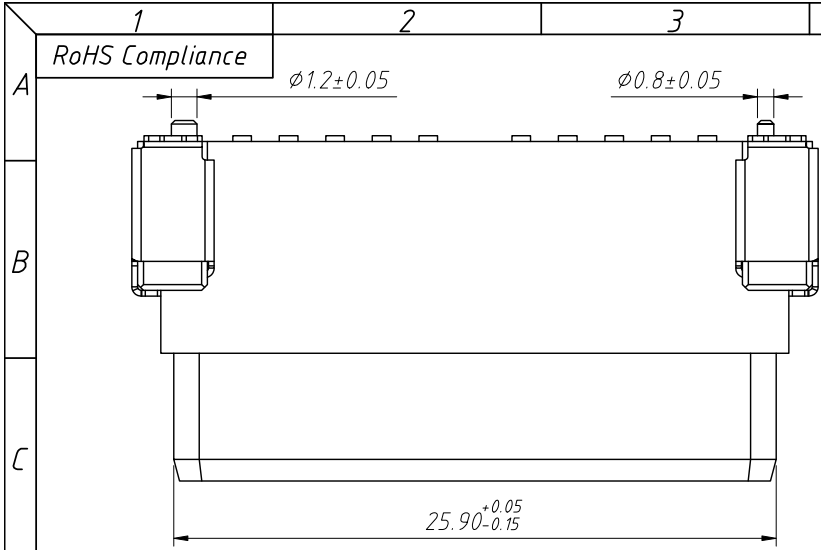
1. Contact resistance: $\leq 100m\Omega$.
2. Insulation resistance: $\geq 50M\Omega$.
3. Rated voltage: 100V AC DC.
4. Rated current: 1.0A AC DC.
5. Withstand Voltage: 250V AC/Minute.
6. Temperature Range: $-40^{\circ}C \sim +85^{\circ}C$.



ANGLE TOLERANCE	PROJECTION	Description:
$\pm 3^{\circ}$		2.00mm Board To Board Plug
GENERAL TOLERANCE	UNITS	mm
x.x ± 0.30	SHEET SIZE	A4
x.xx ± 0.20	Draw:	Daniel 2020-11-11
x.xxx ± 0.10	Check:	Daniel 2020-11-11



NingBo KLS ELECTRONIC CO.,L TD.

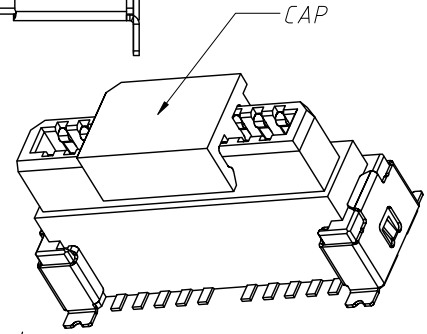


Suggested PCB Layout
(Component Side)

Material;
 1. Housing:LCP High-Temp Thermoplastic,
 UL 94 V-0, Color:Black
 2. Terminal:Phosphor Bronze,1u"Gold Flash
 Overall 50~100u" Nickel Under Plated.

Order Information:
 L-KLS1-B0120-1460 F XXP-T3R-D
 L:RoHS
 Board To Board
 Pitch-2.00mm
 Height-14.60mm
 Type:F-Female
 XX-No. Of Contact
 Installation mode:
 T=SMD Without Post,
 T3=SMD With Post
 Packing:R=Reel T-Tube
 D-With locating plate

Specification:
 1.Contact resistance:≤100mΩ.
 2.Insulation resistance:≥50MΩ.
 3.Rated voltage:100V AC DC.
 4.Rated current:1.0A AC DC.
 5.Withstand Voltage:250V AC/Minute.
 6 Temperature Range:-40°C ~ + 85°C.



ANGLE TOLERANCE	PROJECTION	Description:	
±3°		2.00mm Board To Board Socket	
GENERAL TOLERANCE	UNITS	mm	KLS P/N:
x.x ±0.30	SHEET SIZE	A4	L-KLS1-B0120-1460FXXP-T3R-D
x.xx ±0.20	Draw:	Daniel	2020-11-11
x.xxx ±0.10	Check:	Daniel	2020-11-11

