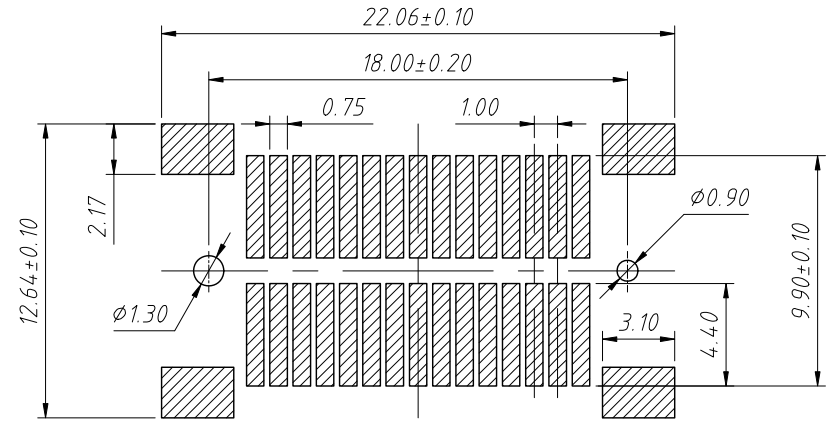
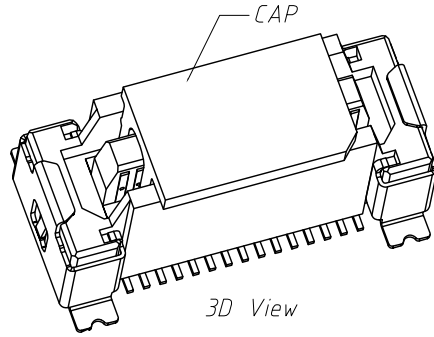
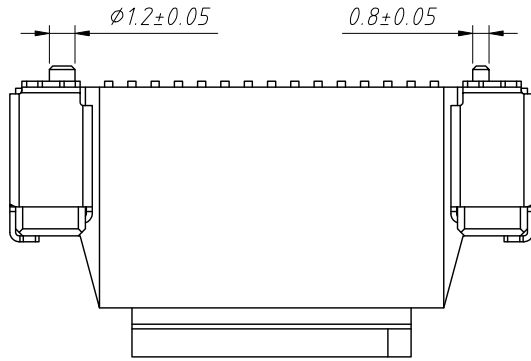
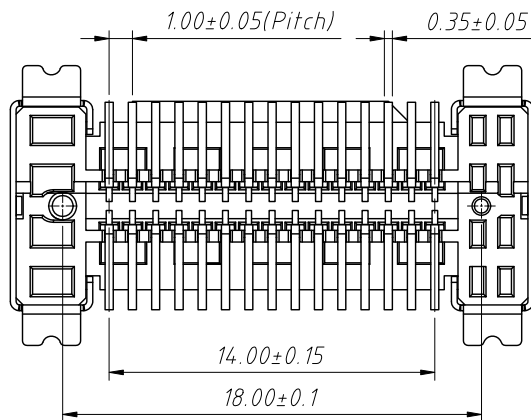
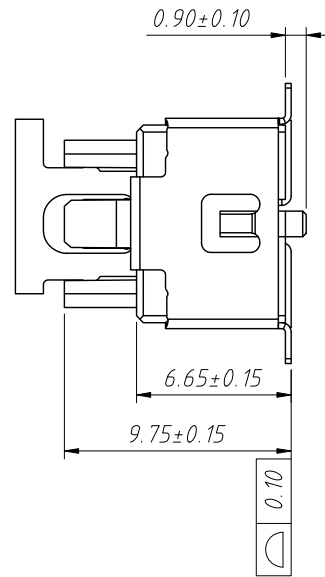
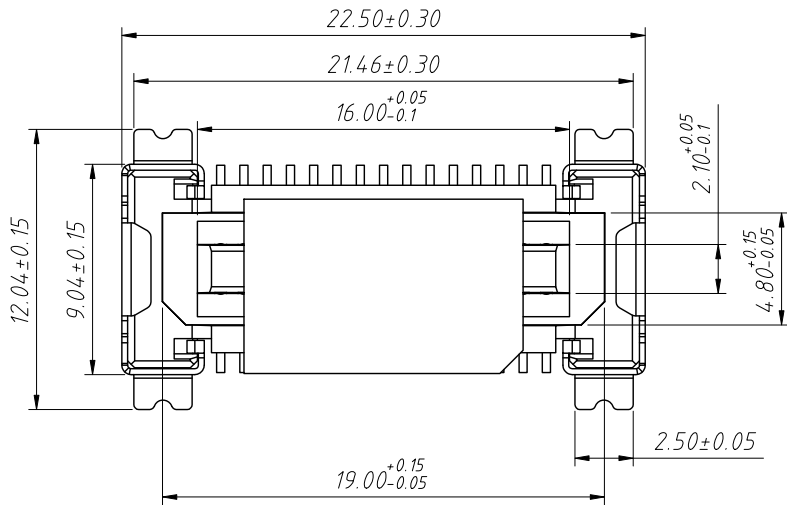


1 RoHS Compliance



Suggested PCB Layout  
Component Side



Material;

1. Housing: LCP HIGH-TEMP Thermoplastic, UL 94 V-0. Color: Black
2. Terminal: Phosphor Bronze, Plating: 1u" Gold Flash Overall 50~100u" Nickel Under Plated.

Specification:

1. Contact resistance:  $\leq 100m\Omega$ .
2. Insulation resistance:  $\geq 50M\Omega$ .
3. Rated voltage: 100V AC DC.
4. Rated current: 1.0A AC DC.
5. Withstand Voltage: 250V AC/Minute.
6. Temperature Range:  $-40^{\circ}C \sim +85^{\circ}C$ .

Order Information:

L-KLS1-B0110-975 M XXP-T3R

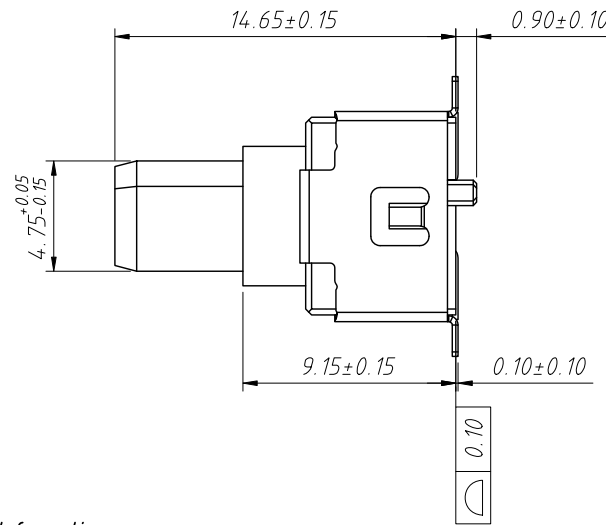
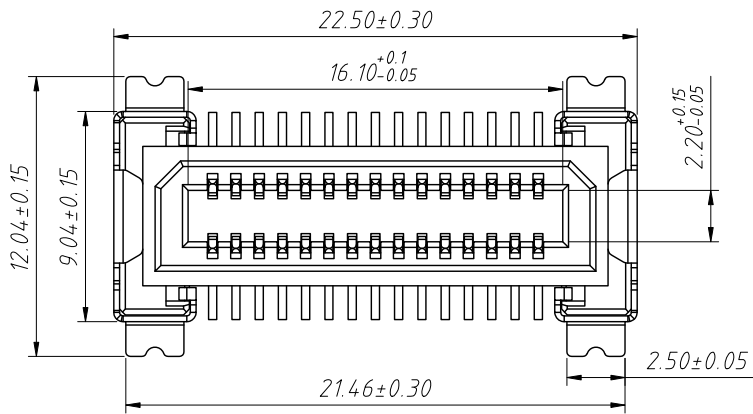
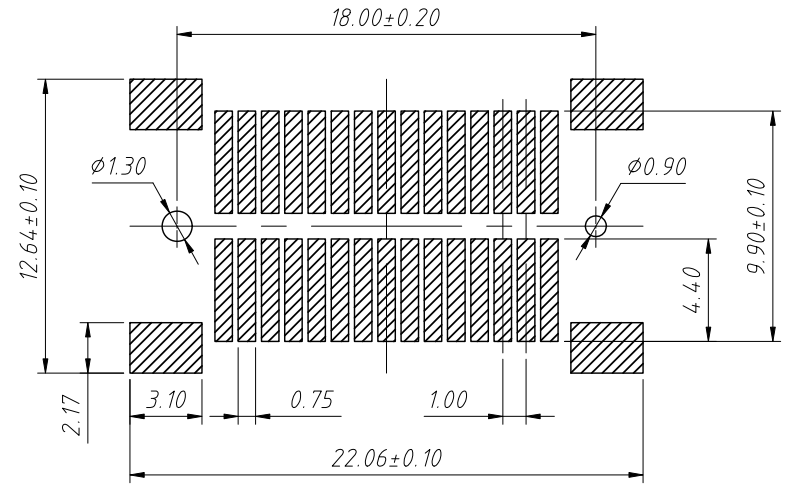
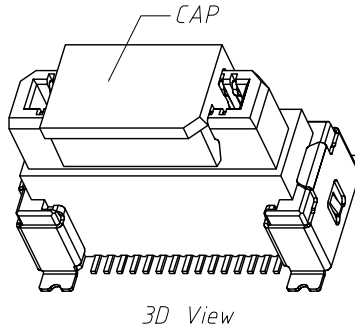
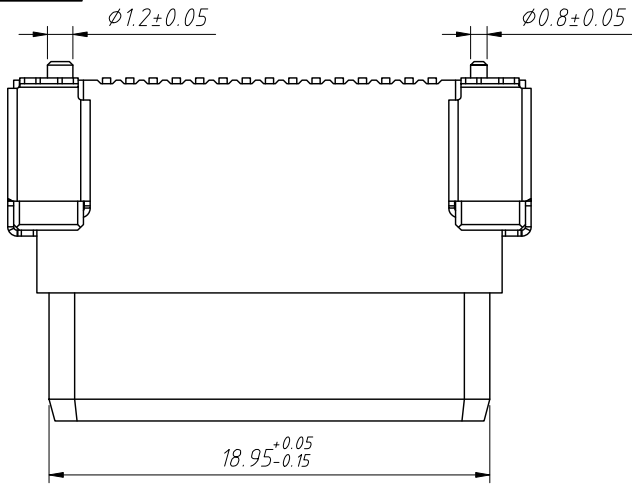
- L: RoHS
- Board To Board
- Pitch-1.00mm
- Height-975mm
- Type-M-Male
- XX-No. Of Contact
- Installation mode:
- T=SMD Without Post, T3=SMD With Post
- Packing: R=Reel T=Tube

ANGLE TOLERANCE	PROJECTION	Description:
$\pm 3^{\circ}$		1.00mm Board To Board Plug
GENERAL TOLERANCE	UNITS	mm
x.x $\pm 0.30$	SHEET SIZE	A4
x.xx $\pm 0.20$	Draw:	Daniel 2020-11-11
x.xxx $\pm 0.10$	Check:	Daniel 2020-11-11

KLS P/N: L-KLS1-B0110-975MXXP-T3R

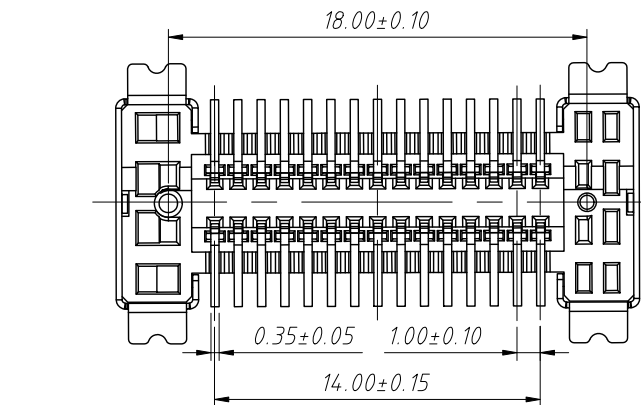
NingBo KLS ELECTRONIC CO.,L TD.

RoHS Compliance



Material;  
 1. Housing: LCP HIGH-TEMP Thermoplastic, UL94 V-0. Color: Black  
 2. Terminal: Phosphor Bronze  
 Plating: 1u" Gold Flash Overall 50~100u"  
 Nickel Under Plated.

Specification:  
 1. Contact resistance:  $\leq 100m\Omega$ .  
 2. Insulation resistance:  $\geq 50M\Omega$ .  
 3. Rated voltage: 100V AC DC.  
 4. Rated current: 1.0A AC DC.  
 5. Withstand Voltage: 250V AC/Minute.  
 6. Temperature Range:  $-40^{\circ}C \sim +85^{\circ}C$ .



Order Information:  
**L-KLS1-B0110-1465 F XXP-T3R**

- L: RoHS
- Board To Board
- Pitch-1.00mm
- Height-14.65mm
- Type:F-Female
- XX-No. Of Contact
- Installation mode:
- T=SMD Without Post, T3=SMD With Post
- Packing: R=Reel T=Tube

ANGLE TOLERANCE	PROJECTION	Description:
$\pm 3^{\circ}$		1.00mm Board To Board Socket
GENERAL TOLERANCE	UNITS	mm
x.x $\pm 0.30$	SHEET SIZE	A4
x.xx $\pm 0.20$	Draw:	Daniel 2020-11-11
x.xxx $\pm 0.10$	Check:	Daniel 2020-11-11



NingBo KLS ELECTRONIC CO.,L.TD.