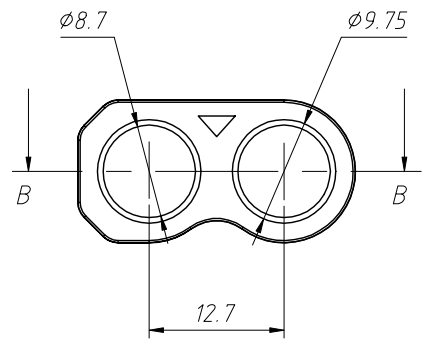
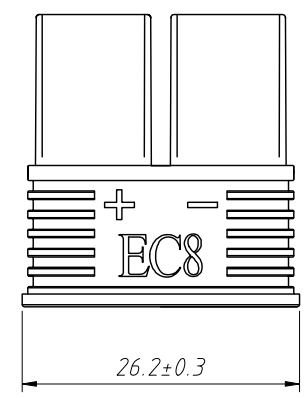
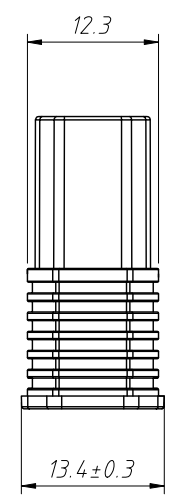
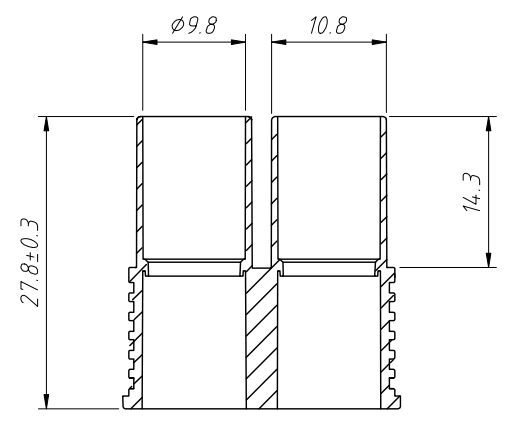


1  
RoHS Compliance

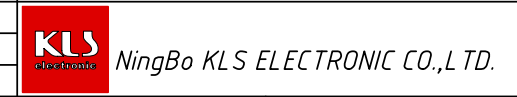


Order Information:  
**L-KLS1-XT02-EC8-MH-2**  
 L: RoHS  
 Product series  
 Type:MH-Male Housing  
 Housing Color:2-Blue

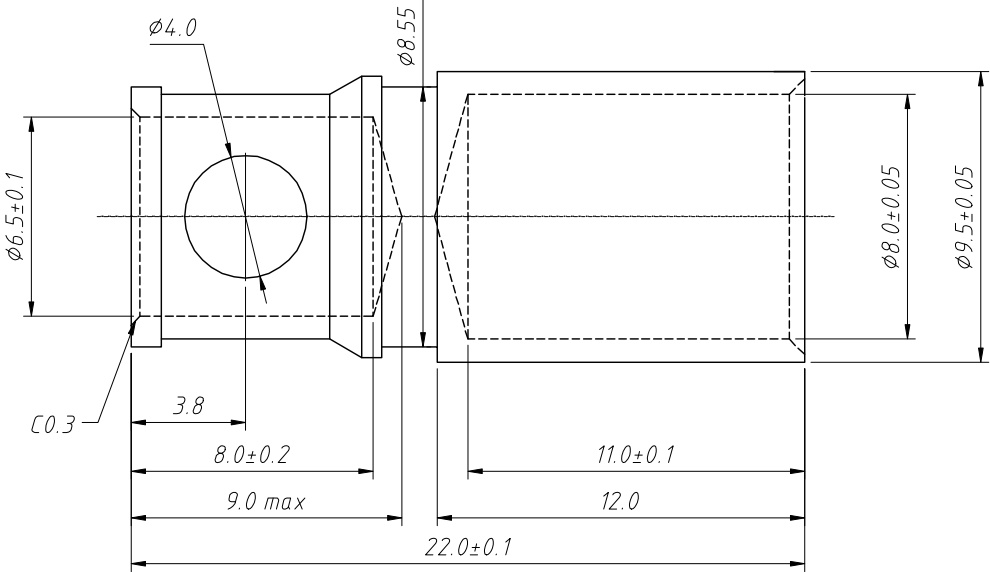


Material:  
 Housing:PA66 UL94-V2,Blue Color  
 Operating temperature:-30°C~130°C  
 Weight:2.3g  
 With "L-KLS1-XT02-EC8-FT" Supporting the use

ANGLE TOLERANCE	PROJECTION	Description:	
±3°		EC8 battery connector Male Housing	
GENERAL TOLERANCE	UNITS	mm	KLS P/N:
x.x ±0.30	SHEET SIZE	A4	L-KLS1-XT02-EC8-MH-2
x.xx ±0.20	Draw:	Daniel	2022-08-25
x.xxx ±0.10	Check:	Daniel	2022-08-25



1  
RoHS Compliance



Material:  
Terminal:H59 Brass  
Surface Treatment:Gold Plated 1u"  
Weight:4.5g  
Packing:1000PCS/Bag

Electrical Characteristics:  
Rated current:80A  
Rated voltage:DC500V  
Operating temperature:-30°C~130°C  
Insertion force range:2-3kgf

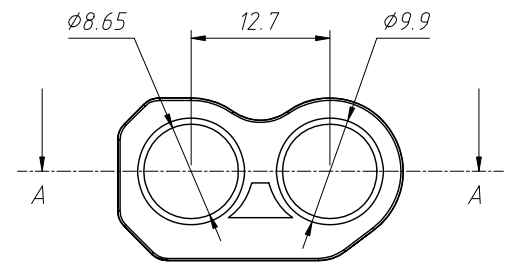
With "L-KLS1-XT02-EC8-MH-2" Supporting the use

Order Information:  
L-KLS1-XT02-EC8-FT  
L: RoHS  
Product series  
Type:Female Terminal

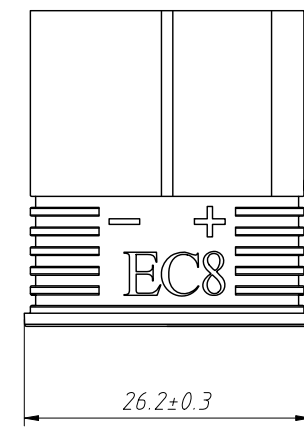
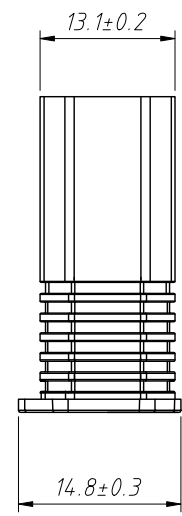
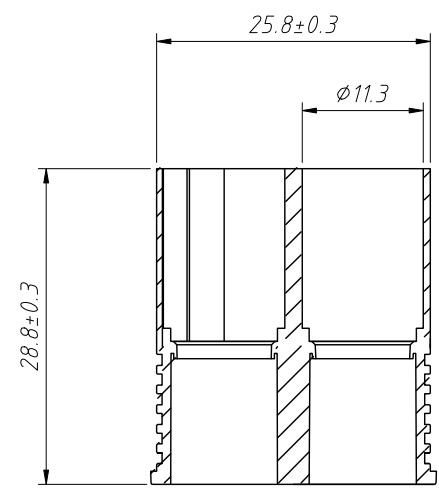
ANGLE TOLERANCE	PROJECTION	Description:	8.0 Female Terminal 9.5x22	
±3°				
GENERAL TOLERANCE	UNITS	mm	KLS P/N:	L-KLS1-XT02-EC8-FT
x.x ±0.30	SHEET SIZE	A4		
x.xx ±0.20	Draw:	Daniel	2022-08-25	
x.xxx ±0.10	Check:	Daniel	2022-08-25	

NingBo KLS ELECTRONIC CO.,L TD.

1  
RoHS Compliance

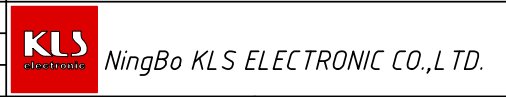


Order Information:  
 L-KLS1-XT02-EC8-FH-2  
 L: RoHS  
 Product series  
 Type: FH-Female Housing  
 Housing Color: 2-Blue

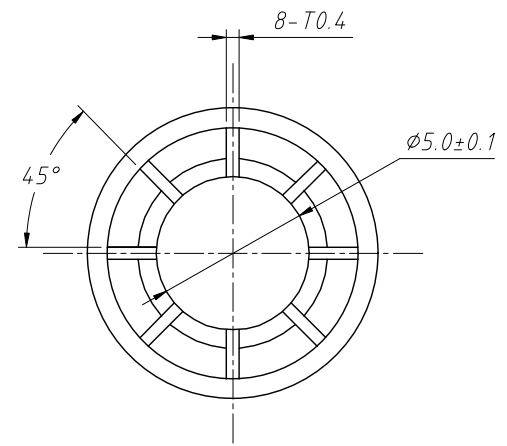
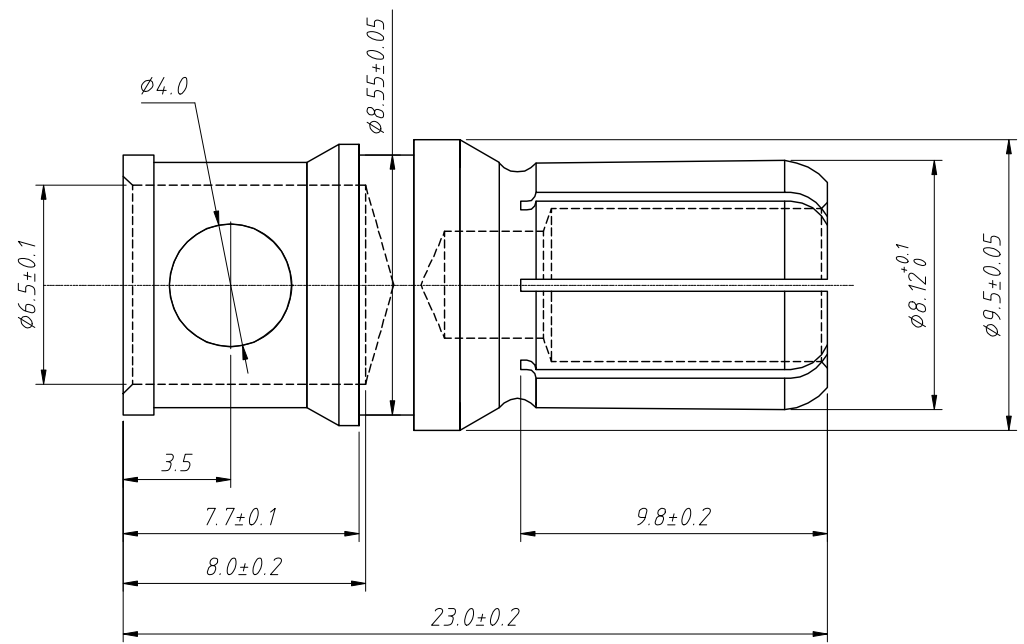


Material:  
 Housing: PA66 UL94-V2, Blue Color  
 Operating temperature:  $-30^{\circ}\text{C} \sim 130^{\circ}\text{C}$   
 Weight: 2.8g  
 With "L-KLS1-XT02-EC8-MT" Supporting the use

ANGLE TOLERANCE	PROJECTION	Description:	
$\pm 3^{\circ}$		EC8 battery connector Female Housing	
GENERAL TOLERANCE	UNITS	mm	KLS P/N:
x.x $\pm 0.30$	SHEET SIZE	A4	L-KLS1-XT02-EC8-FH-2
x.xx $\pm 0.20$	Draw:	Daniel	2022-08-25
x.xxx $\pm 0.10$	Check:	Daniel	2022-08-25



1  
RoHS Compliance



**Material:**  
Terminal:H59 Brass  
Surface Treatment:Gold Plated 1u"  
Weight:5.5g  
Packing:1000PCS/Bag

**Electrical Characteristics:**  
Rated current:80A  
Rated voltage:DC500V  
Operating temperature:-30°C~130°C  
Insertion force range:2-3kgf  
With "L-KLS1-XT02-EC8-FH-2" Supporting the use

**Order Information:**  
L-KLS1-XT02-EC8-MT  
L: RoHS  
Product series  
Type:Female Terminal

ANGLE TOLERANCE	PROJECTION	Description:	8.0 Male Terminal 9.5×23	
±3°				
GENERAL TOLERANCE	UNITS	mm	KLS P/N:	L-KLS1-XT02-EC8-MT
x.x ±0.30	SHEET SIZE	A4		
x.xx ±0.20	Draw:	Daniel	2022-08-25	NingBo KLS ELECTRONIC CO.,L TD.
x.xxx ±0.10	Check:	Daniel	2022-08-25	