

1
RoHS Compliance

2

3

4

5

6

7

8

A

B

C

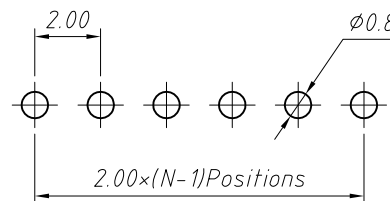
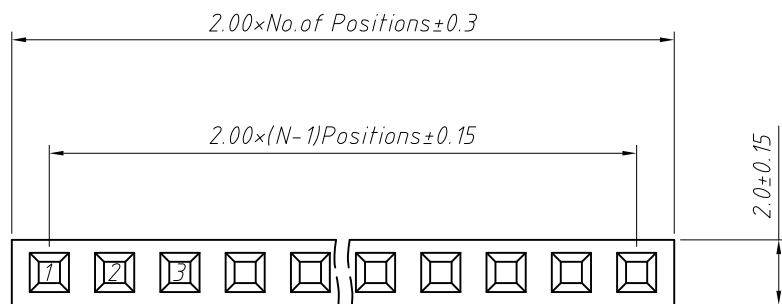
D

E

F

G

H

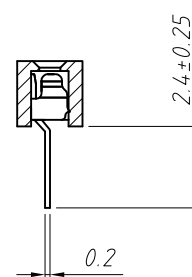
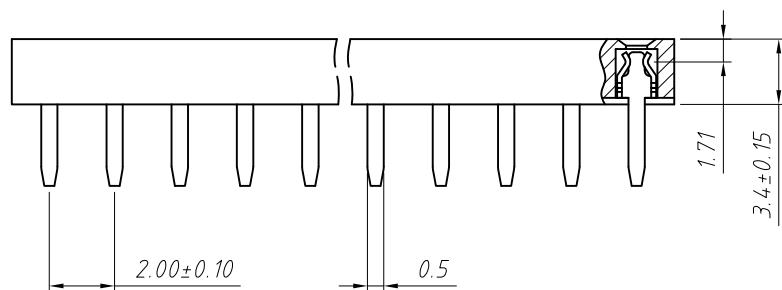


Recommended P.C.B Layout (Top Side)
(PCB BOARD TOLERANCE ± 0.05)

Material:
Standard: PBT/PA6T
Contact: Phosphor Bronze
Plating: Au or Sn Over Ni
Insulator: Polyester, UL94V-0

Electrical Characteristics:
Rated Current: 1.5AMP
Contact Resistance: 20mΩ Max
Withstand Voltage: 500V AC/DC
Insulator Resistance: 1000MΩ Min

Mechanical
Operating Temperature: -40°C ~ +105°C
Max. Processing Temp: 230°C for 30-60 seconds (260°C for 10 seconds)



Order Information:

L-KLS1-208B-3.4-1-XX-S-B

L: RoHS
Female Header Series
208B: 2.00mm
Plastics Height: 3.4mm
Per Row: Single layer
Pin: No. of Pins (1x40)
Type: Straight Pin
Material: A=PBT B=PA6T C=LCP

ANGLE TOLERANCE	PROJECTION	Description:	2.0x3.4mm Female Header Single layer, Straight Pin, 1xN Pin	
±3°				
GENERAL TOLERANCE	UNITS	mm	KLS P/N:	L-KLS1-208B-3.4-1-XX-S-B
x.x ±0.30	SHEET SIZE	A4		
x.xx ±0.20	Draw:	Daniel	2018-07-10	
x.xxx ±0.10	Check:	Daniel	2018-07-10	

NingBo KLS ELECTRONIC CO.,L TD.

1

2

3

4

5

6

7

8

A

B

C

D

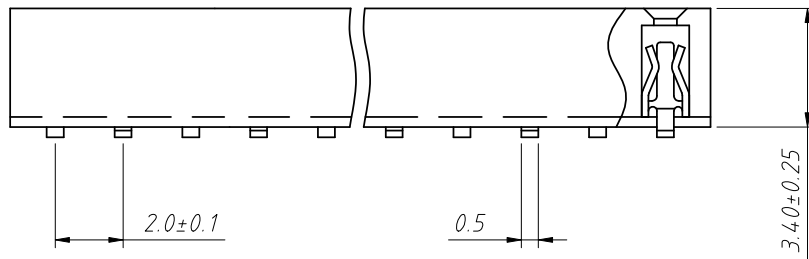
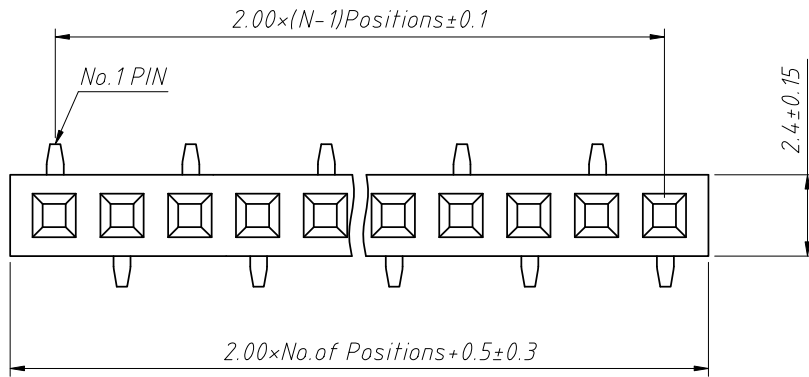
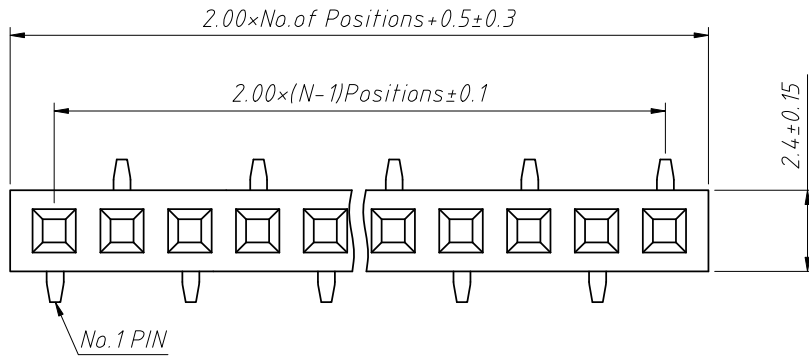
E

F

G

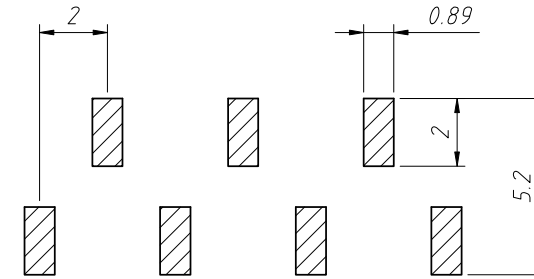
H

1 RoHS Compliance



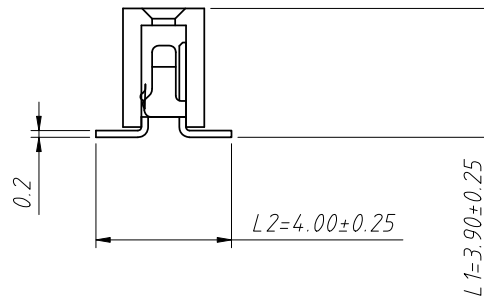
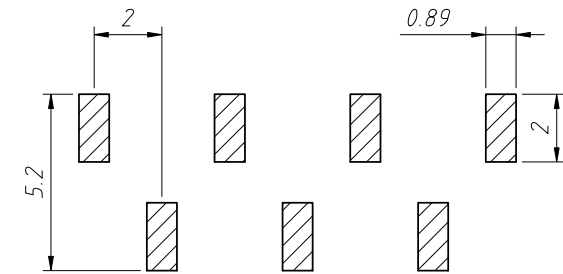
Dimension antitheses list (mm)			
ITEM	L1	L2	Plastic Height
Standard	3.90	4.00	3.40
Nonstandard	---	---	---

T2 Type



Recommended P.C.B Layout (Top Side)
(PCB BOARD TOLERANCE±0.05)

T1 Type



Material:
Standard:PA6T
Contact:Brass
Contact plating:Au or Sn over 40nm Ni
Nickelinsulator:Polyester,UL94V-0

Electrical Characteristics:
Rated Current: 1.5AMP
Contact Resistance: 20mΩ Max
Withstand Voltage: 500V AC/DC
Insulator Resistance: 1000MΩ Min

Mechanical
Operating Temperature: -40°C ~ +105°C
Max.Processing Temp:230°C for 30-60 seconds (260°C for 10 seconds)

Order Information:

L-KLS1-208B-3.4-1-XX-T2-L1xL2-N-B-R

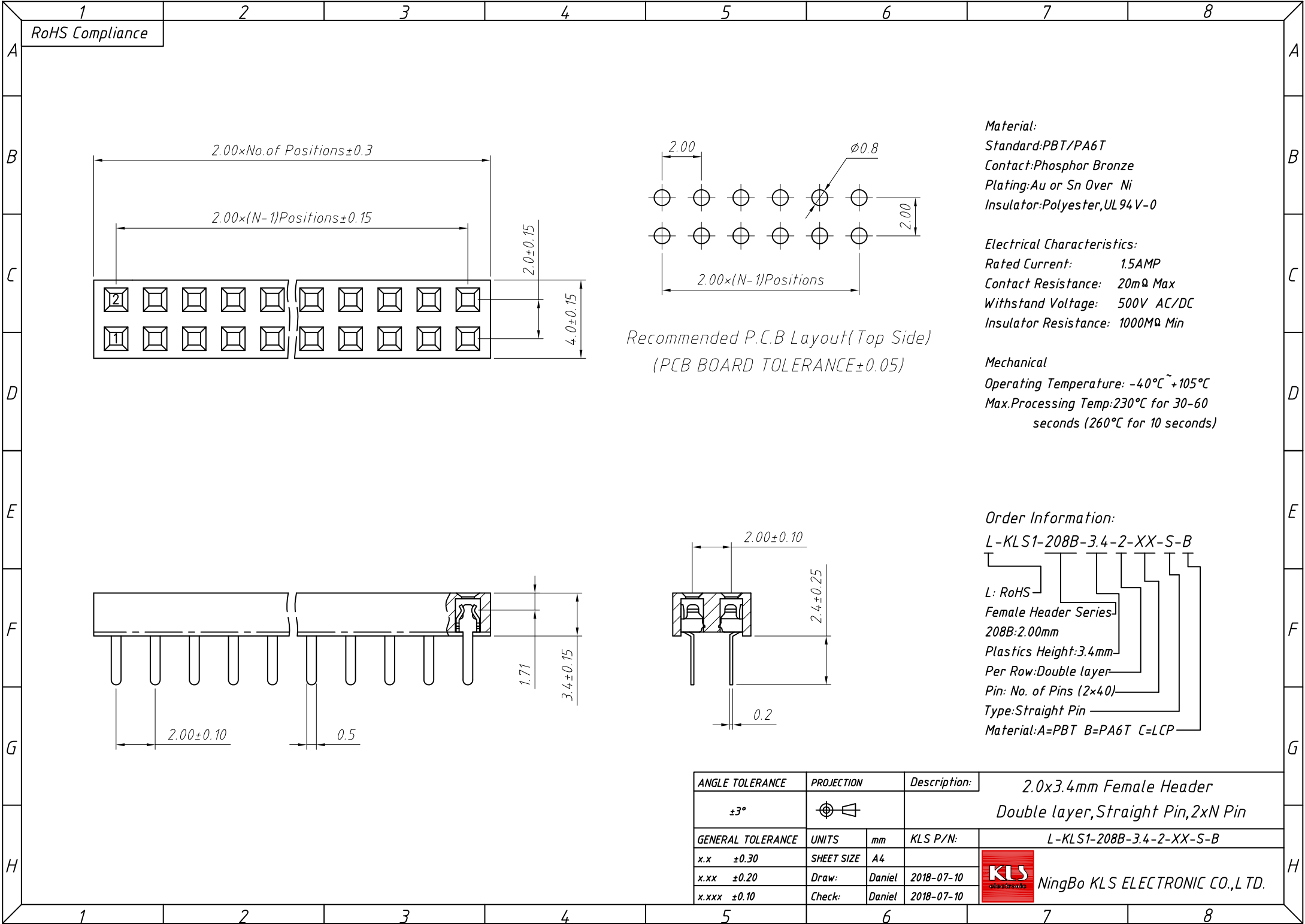
L: RoHS
Female Header Series
208B:2.00mm
Plastics Height:3.4mm
Per Row:Single layer
Pin: No. of Pins (1x4.0)
SMT Pin:T1 Type,T2 Type
Size:L1xL2
Post:W=With Post N=W/O Post
Material:A=PBT B=PA6T C=LCP
Packing:
A=Tray T=Tube M=Reel+Mylar
P=Tube+Cap R=Reel+Cap

ANGLE TOLERANCE	PROJECTION	Description:
±3°		2.0x3.4mm Female Header Single layer,SMT Pin,1xN Pin
GENERAL TOLERANCE	UNITS	mm
x.x ±0.30	SHEET SIZE	A4
x.xx ±0.20	Draw:	Daniel 2018-07-10
x.xxx ±0.10	Check:	Daniel 2018-07-10



NingBo KLS ELECTRONIC CO.,L.TD.

1
RoHS Compliance



Material:
Standard:PBT/PA6T
Contact:Phosphor Bronze
Plating:Au or Sn Over Ni
Insulator:Polyester,UL94V-0

Electrical Characteristics:
Rated Current: 1.5AMP
Contact Resistance: 20mΩ Max
Withstand Voltage: 500V AC/DC
Insulator Resistance: 1000MΩ Min

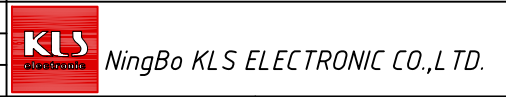
Mechanical
Operating Temperature: -40°C ~ +105°C
Max.Processing Temp:230°C for 30-60 seconds (260°C for 10 seconds)

Recommended P.C.B Layout (Top Side)
 (PCB BOARD TOLERANCE ± 0.05)

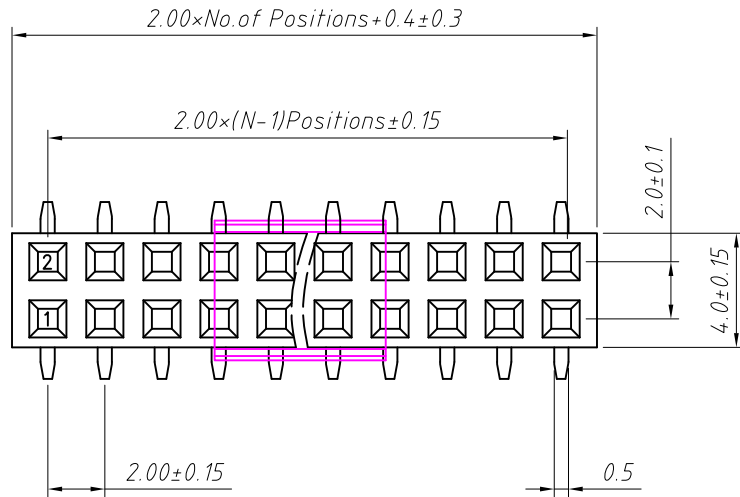
Order Information:
L-KLS1-208B-3.4-2-XX-S-B

- L: RoHS
- Female Header Series
- 208B:2.00mm
- Plastics Height:3.4mm
- Per Row:Double layer
- Pin: No. of Pins (2x40)
- Type: Straight Pin
- Material:A=PBT B=PA6T C=LCP

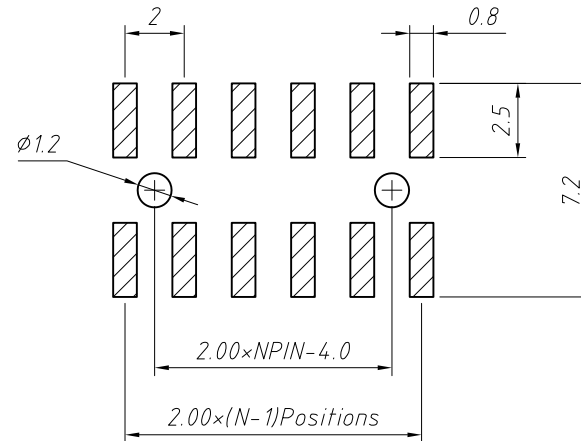
ANGLE TOLERANCE	PROJECTION	Description:	2.0x3.4mm Female Header Double layer, Straight Pin, 2xN Pin
±3°			
GENERAL TOLERANCE	UNITS	mm	KLS P/N: L-KLS1-208B-3.4-2-XX-S-B
x.x ±0.30	SHEET SIZE	A4	
x.xx ±0.20	Draw:	Daniel	2018-07-10
x.xxx ±0.10	Check:	Daniel	2018-07-10



1 RoHS Compliance



Recommended P.C.B Layout (Top Side)
(PCB BOARD TOLERANCE ± 0.05)



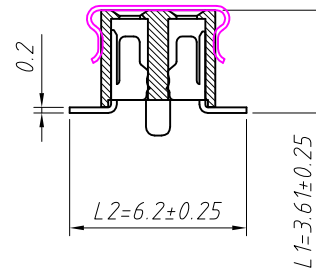
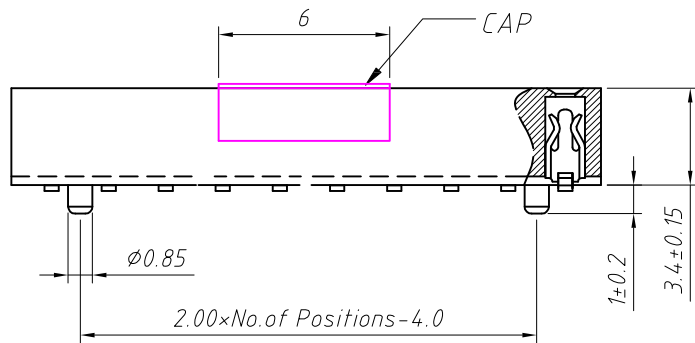
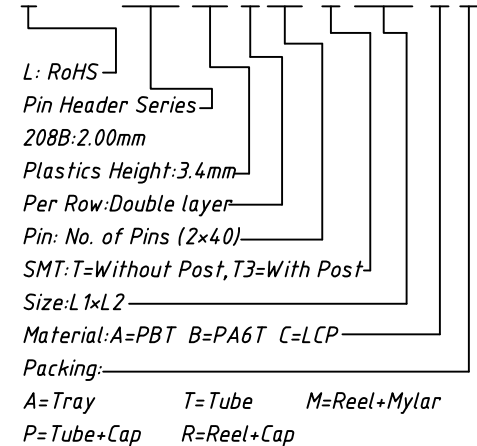
Material:
Standard: PA6T
Contact: Brass
Contact plating: Au or Sn over Ni
Nickel Insulator: Polyester, UL94V-0

Electrical Characteristics:
Rated Current: 1.5AMP
Contact Resistance: 20mΩ Max
Withstand Voltage: 500V AC/DC
Insulator Resistance: 1000MΩ Min

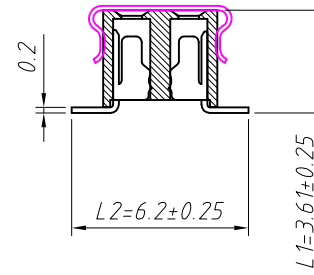
Mechanical
Operating Temperature: -40°C ~ +105°C
Max. Processing Temp: 230°C for 30-60 seconds (260°C for 10 seconds)

Order Information:

L-KLS1-208B-3.4-2-XX-T-L1xL2-B-R



T3=With Post



T=Without Post

Dimension antitheses list (mm)

ITEM	L1	L2	Plastic Height
Standard	3.61	6.20	3.40
Nonstandard	---	---	---

ANGLE TOLERANCE	PROJECTION	Description:
±3°		2.0x3.4mm Female Header Double layer, SMT Pin, 2xN Pin
GENERAL TOLERANCE	UNITS	mm
x.x ±0.30	SHEET SIZE	A4
x.xx ±0.20	Draw:	Daniel 2018-07-10
x.xxx ±0.10	Check:	Daniel 2018-07-10



NingBo KLS ELECTRONIC CO.,LTD.