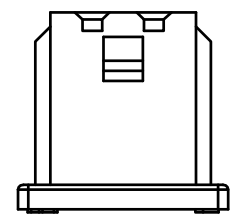
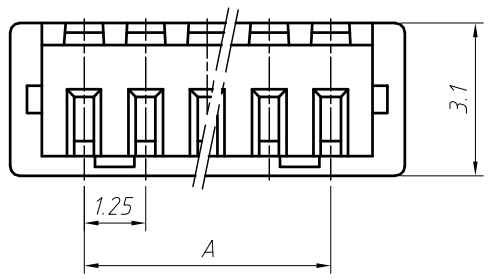
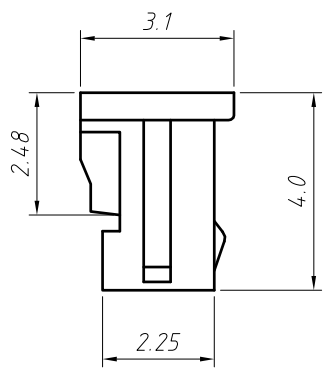
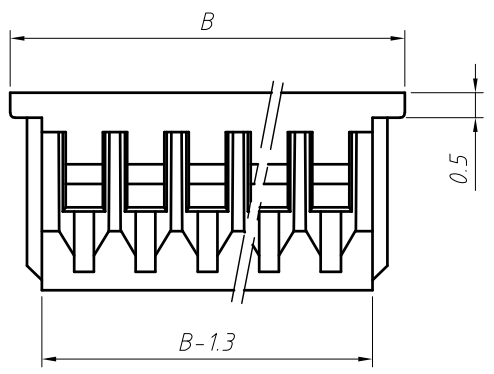
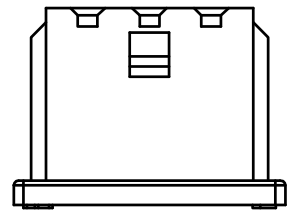
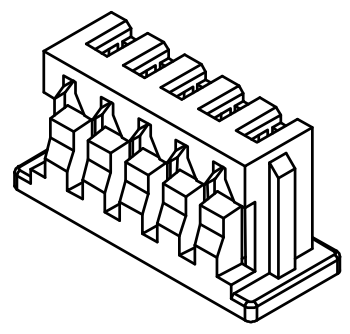


1 2 3 4 5 6 7 8

A
B
C
D
E
F
G
H



2P



3P

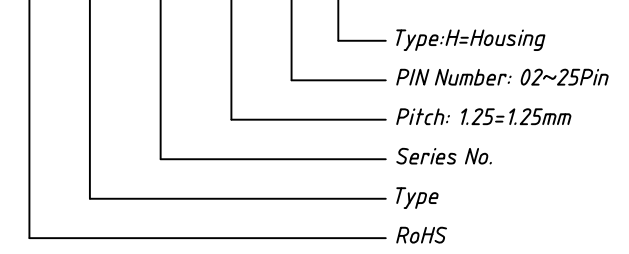
Circuit	Dimensions(mm)	
	A	B
02	1.25	4.25
03	2.50	5.50
04	3.75	6.75
05	5.00	8.00
06	6.25	9.25
07	7.50	10.50
08	8.75	11.75
09	10.00	13.00
10	11.25	14.25
11	12.50	15.50
12	13.75	16.75
13	15.00	18.00
14	16.25	19.25
15	17.50	20.50
16	18.75	21.75
--	---	---
25	30.00	33.00

Material:
Housing:PA66(UL 94V-0/V-2),White

- Electrical Characteristics:
- 1.Poles: 2 to 25P
 - 2.Current rating: 1.0A
 - 3.Voltage rating: 125V
 - 4.Temperature range: -25°C to +85°C
 - 5.Contact resistance: $\leq 20m\Omega$
 - 6.Insulation resistance: $\geq 100M\Omega$
 - 7.Withstand voltage: 500V AC/minute
 - 8.Applicable wire: AWG #32 to #28
 - 9.Applicable PC board thickness: 0.8mm

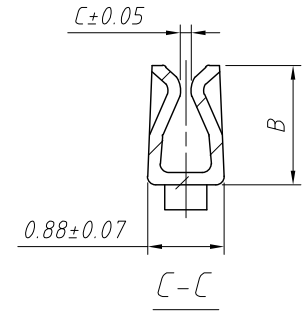
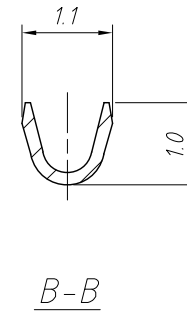
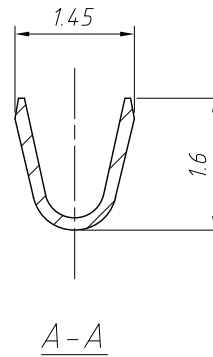
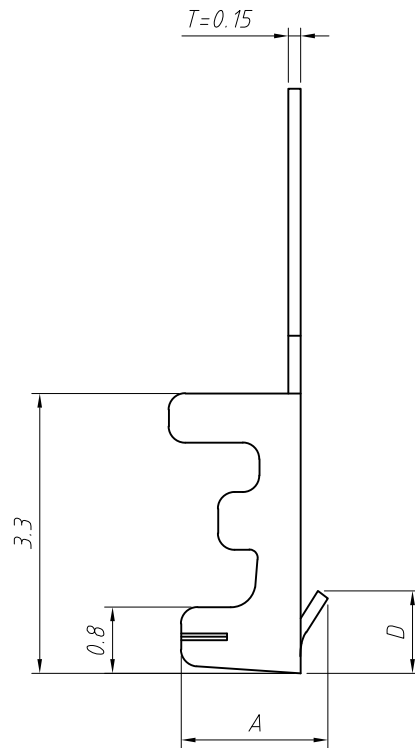
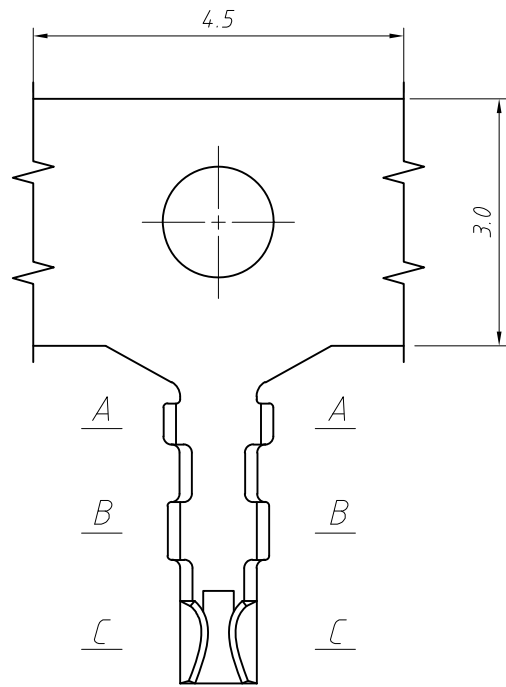
Order Information

L-KLS1-XL1-1.25-XX-H



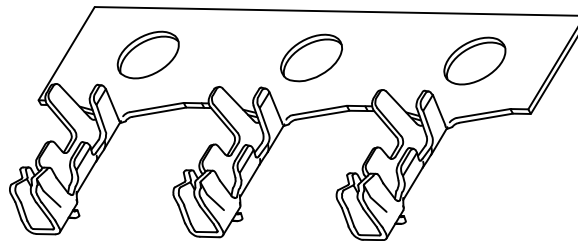
GENERAL TOLERANCE	PROJECTION		Description:
X. ± 0.50	UNITS	mm	1.25mm Type Wire To Board Connector
.X ± 0.25	SCALE	1:1	
.XX ± 0.10	Draw by:	Jenny	
ANGLE TOLERANCE	Check by:		KLS P/N: L-KLS1-XL1-1.25-XX-H
X. $\pm 5^\circ$	Date	2018-03-01	NingBo KLS ELECTRONIC CO.,L TD.
.X $\pm 3^\circ$	SHEET	1 OF 1	
.XX $\pm 2^\circ$			

1 2 3 4 5 6 7 8



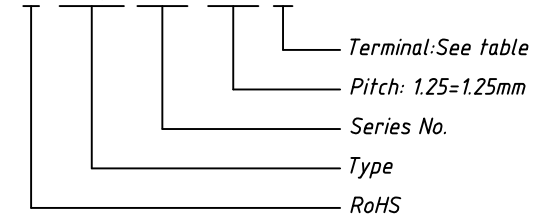
A	B	C	D	Material	Finish	Qty/reel
1.78	1.45	0.13	1.0	Phosphor Bronze	TIN	12000 PCS

Electrical Characteristics:
 Current rating: 1.0A
 Voltage rating: 125V
 Temperature range: -25°C to +85°C5.
 Contact resistance: ≤20mΩ
 Insulation resistance: ≥100MΩ
 Withstand voltage: 500V AC/minute
 Applicable wire: AWG #32 to #28
 Applicable PC board thickness: 0.8mm

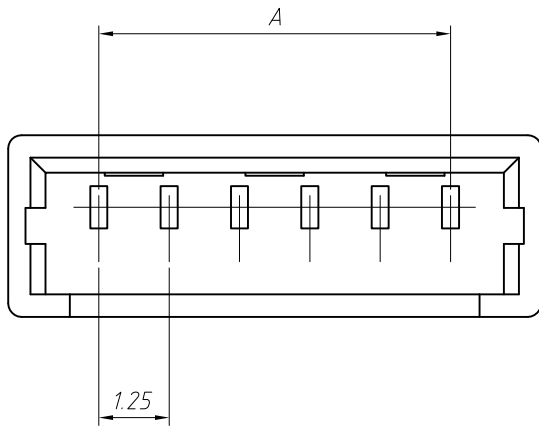


Order Information

L-KLS1-XL1-1.25-T



GENERAL TOLERANCE	PROJECTION		Description:
X. ±0.50	UNITS	mm	1.25mm Type Wire To Board Connector
.X ±0.25	SCALE	1:1	
.XX ±0.10	Draw by:	Jenny	
ANGLE TOLERANCE	Check by:		KLS P/N: L-KLS1-XL1-1.25-T
X. ±5°	Date	2018-03-01	NingBo KLS ELECTRONIC CO.,L TD.
.X ±3°	SHEET	1 OF 1	
.XX ±2°			

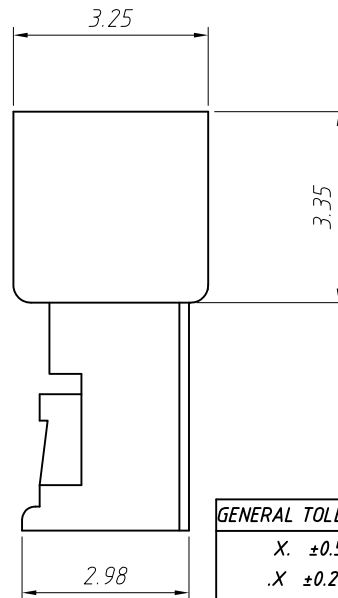
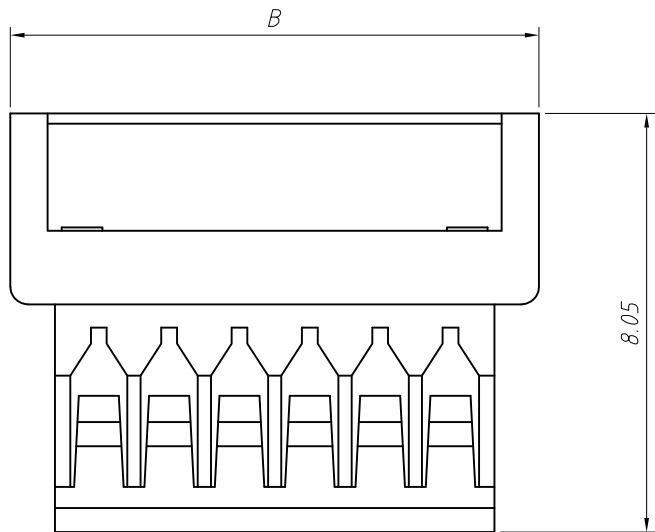


Circuit	Dimensions(mm)	
	A	B
02	1.25	4.25
03	2.50	5.50
04	3.75	6.75
05	5.00	8.00
06	6.25	9.25
07	7.50	10.50
08	8.75	11.75
09	10.00	13.00
10	11.25	14.25
11	12.50	15.50
12	13.75	16.75
13	15.00	18.00
14	16.25	19.25
15	17.50	20.50

Material:
Housing:PA66,UL 94 V-0,White

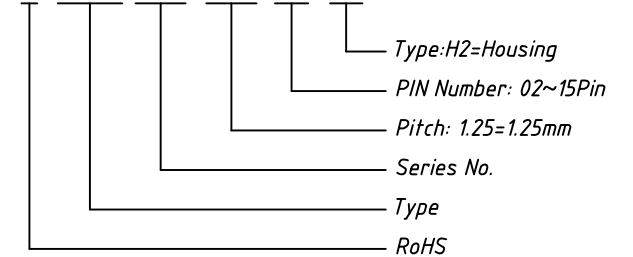
Electrical Characteristics:

- 1.Poles: 2 to 15P
- 2.Current rating: 1.0A
- 3.Voltage rating: 125V
- 4.Temperature range: -25°C to +85°C
- 5.Contact resistance: $\leq 20m\Omega$
- 6.Insulation resistance: $\geq 100M\Omega$
- 7.Withstand voltage: 500V AC/minute

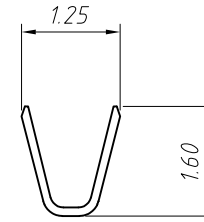
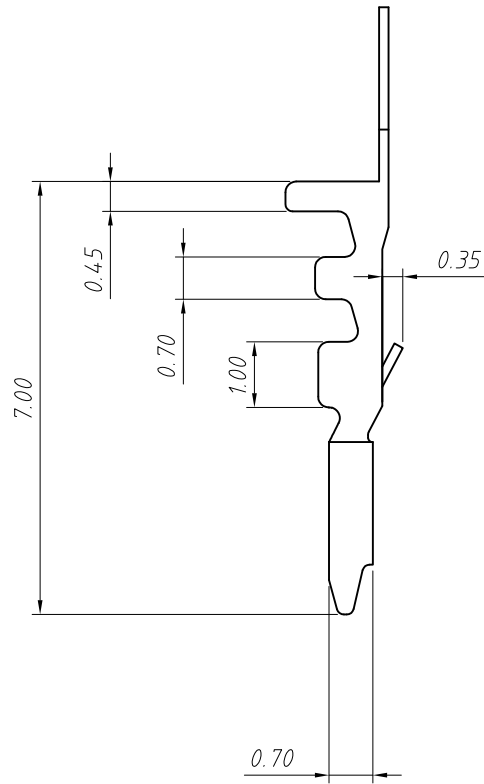
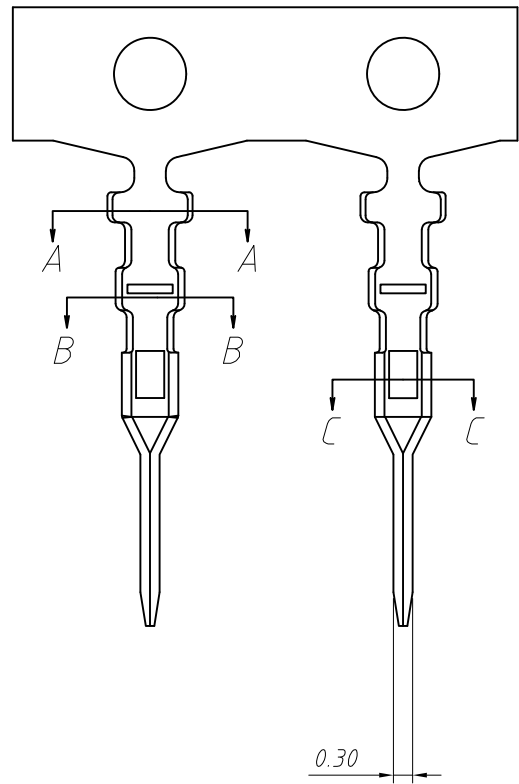


Order Information

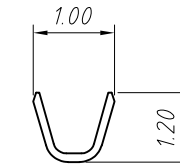
L-KLS1-XL1-1.25-XX-H2



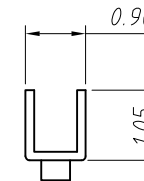
GENERAL TOLERANCE	PROJECTION		Description:
X. ± 0.50	UNITS	mm	1.25mm Pitch Wire To Board Connector
.X ± 0.25	SCALE	1:1	
.XX ± 0.10	Draw by:	Jenny	
ANGLE TOLERANCE	Check by:		KLS P/N: L-KLS1-XL1-1.25-XX-H2
X. $\pm 5^\circ$	Date	2018-03-01	NingBo KLS ELECTRONIC CO.,L TD.
.X $\pm 3^\circ$	SHEET	1 OF 1	
.XX $\pm 2^\circ$			



A-A



B-B

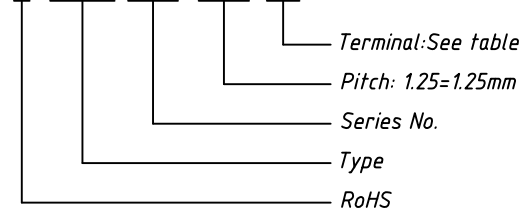


C-C

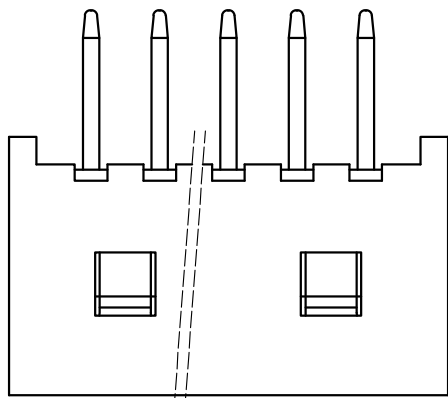
Electrical Characteristics:
 Current rating: 1.0A
 Voltage rating: 125V
 Temperature range: -25°C to +85°C5.
 Contact resistance: $\leq 20m\Omega$
 Insulation resistance: $\geq 100M\Omega$
 Withstand voltage: 500V AC/minute

Order Information

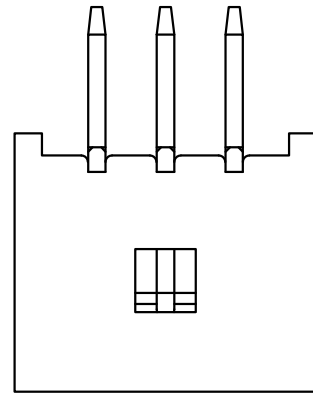
L-KLS1-XL1-1.25-T2



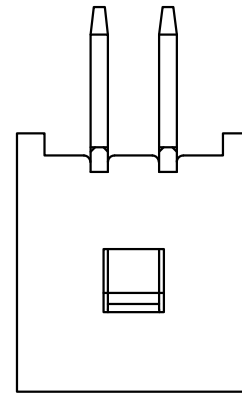
GENERAL TOLERANCE	PROJECTION		Description:
X. ± 0.50	UNITS	mm	1.25mm Wire To Board Connector Terminal
.X ± 0.25	SCALE	1:1	
.XX ± 0.10	Draw by:	Jenny	
ANGLE TOLERANCE	Check by:		KLS P/N: L-KLS1-XL1-1.25-T2
X. $\pm 5^\circ$	Date	2018-03-01	NingBo KLS ELECTRONIC CO.,L TD.
.X $\pm 3^\circ$	SHEET	1 OF 1	
.XX $\pm 2^\circ$			



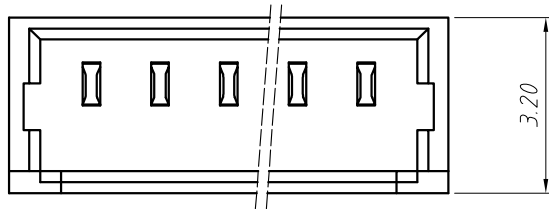
4P-25P



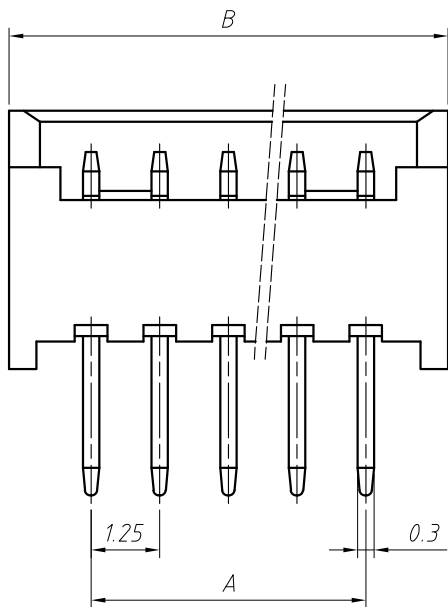
3P



2P



3.20

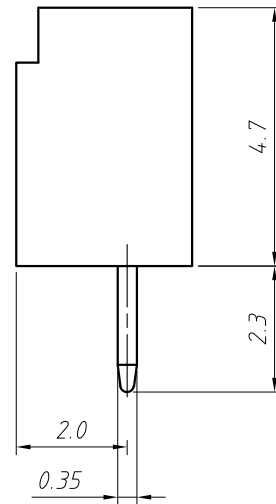


B

A

1.25

0.3

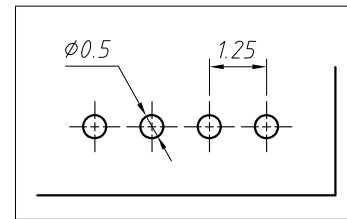
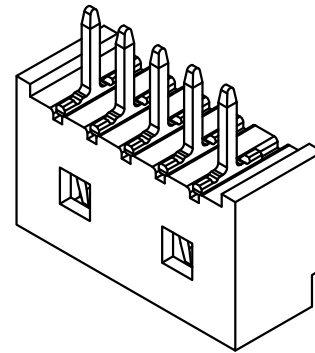


4.7

2.3

2.0

0.35



0.5

1.25

PCB LAYOUT

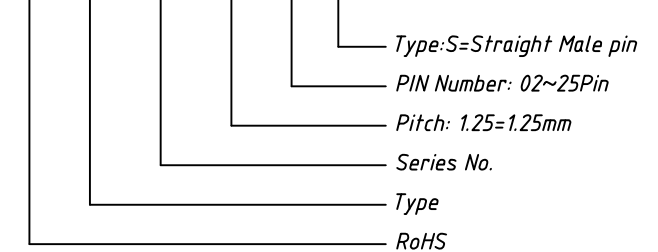
Circuit	Dimensions(mm)	
	A	B
02	1.25	4.25
03	2.50	5.50
04	3.75	6.75
05	5.00	8.00
06	6.25	9.25
07	7.50	10.50
08	8.75	11.75
09	10.00	13.00
10	11.25	14.25
11	12.50	15.50
12	13.75	16.75
13	15.00	18.00
14	16.25	19.25
15	17.50	20.50
16	18.75	21.75
--	---	---
25	30.00	33.00

Material:
Housing:PA66(UL94V-0/V-2),White
Contacts:Phosphor Bronze,Tin Plated

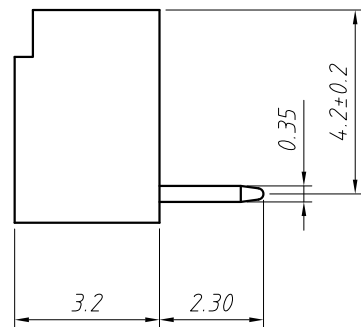
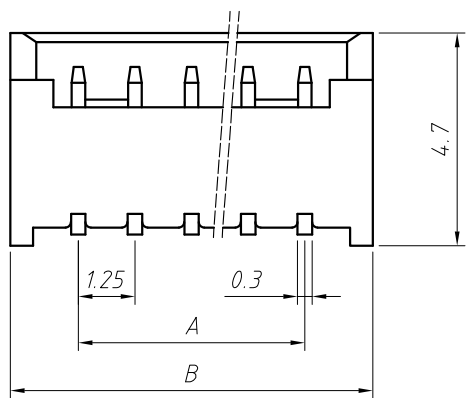
Electrical Characteristics:
1.Poles: 2 to 25P
2.Current rating: 1.0A
3.Voltage rating: 125V
4.Temperature range: -25°C to +85°C
5.Contact resistance: ≤20mΩ
6.Insulation resistance: ≥100MΩ
7.Withstand voltage: 500V AC/minute
8.Applicable wire: AWG #32 to #28
9.Applicable PC board thickness: 0.8mm

Order Information

L-KLS1-XL1-1.25-XX-S



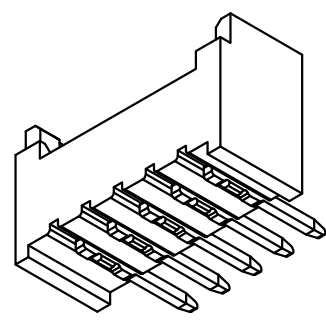
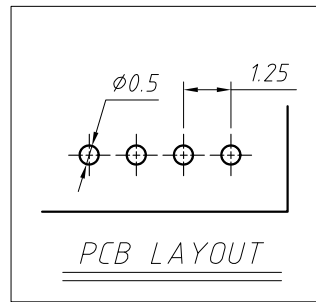
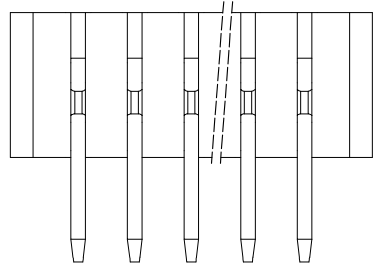
GENERAL TOLERANCE	PROJECTION		Description:
X. ±0.50	UNITS	mm	1.25mm Type Wire To Board Connector
.X ±0.25	SCALE	1:1	
.XX ±0.10	Draw by:	Jenny	
ANGLE TOLERANCE	Check by:		KLS P/N: L-KLS1-XL1-1.25-XX-S
X. ±5°	Date	2018-03-01	NingBo KLS ELECTRONIC CO.,L TD.
.X ±3°	SHEET	1 OF 1	
.XX ±2°			



Circuit	Dimensions(mm)	
	A	B
02	1.25	4.25
03	2.50	5.50
04	3.75	6.75
05	5.00	8.00
06	6.25	9.25
07	7.50	10.50
08	8.75	11.75
09	10.00	13.00
10	11.25	14.25
11	12.50	15.50
12	13.75	16.75
13	15.00	18.00
14	16.25	19.25
15	17.50	20.50
16	18.75	21.75
--	---	---
25	30.00	33.00

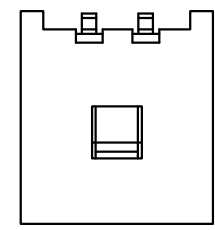
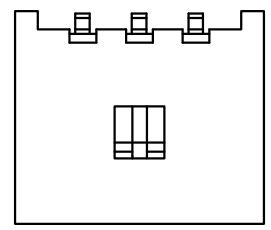
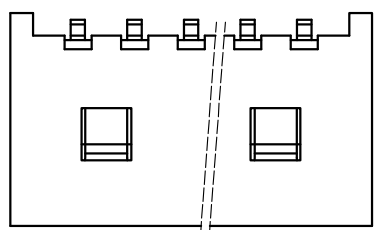
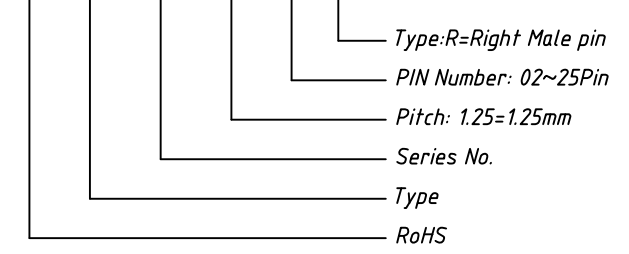
Material:
 Housing:PA66(UL 94V-0/V-2),White
 Contacts:Phosphor Bronze,Tin Plated

- Electrical Characteristics:**
- 1.Poles: 2 to 25P
 - 2.Current rating: 1.0A
 - 3.Voltage rating: 125V
 - 4.Temperature range: -25°C to +85°C
 - 5.Contact resistance: $\leq 20m\Omega$
 - 6.Insulation resistance: $\geq 100M\Omega$
 - 7.Withstand voltage: 500V AC/minute
 - 8.Applicable wire: AWG #32 to #28
 - 9.Applicable PC board thickness: 0.8mm

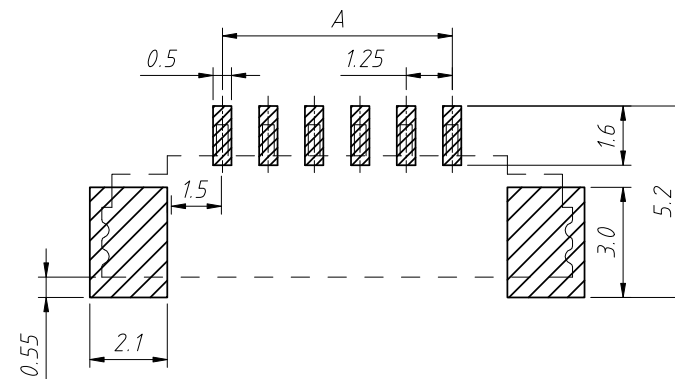
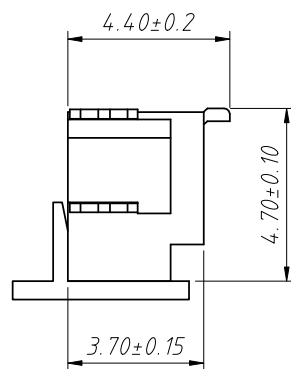
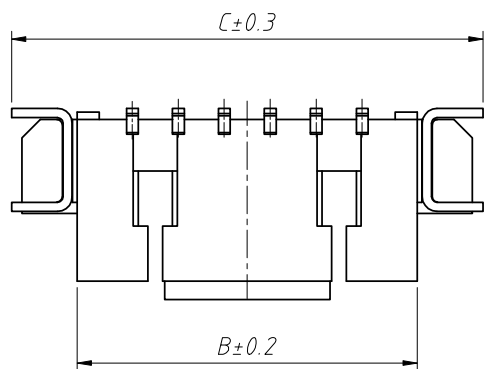


Order Information

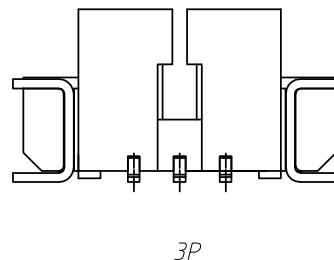
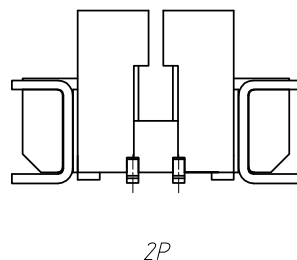
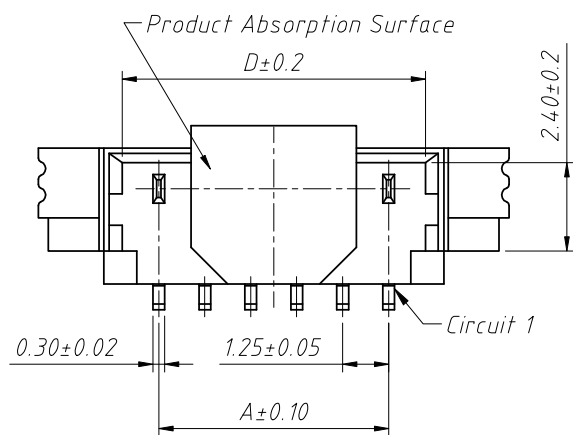
L-KLS1-XL1-1.25-XX-R



GENERAL TOLERANCE	PROJECTION		Description:
X. ± 0.50	UNITS	mm	1.25mm Type Wire To Board Connector
.X ± 0.25	SCALE	1:1	
.XX ± 0.10	Draw by:	Jenny	
ANGLE TOLERANCE	Check by:		KLS P/N: L-KLS1-XL1-1.25-XX-R
X. $\pm 5^\circ$	Date	2018-03-01	NingBo KLS ELECTRONIC CO.,L TD.
.X $\pm 3^\circ$	SHEET	1 OF 1	
.XX $\pm 2^\circ$			



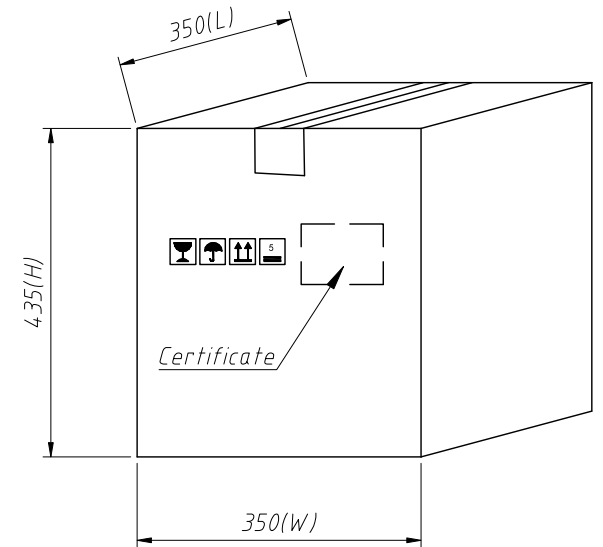
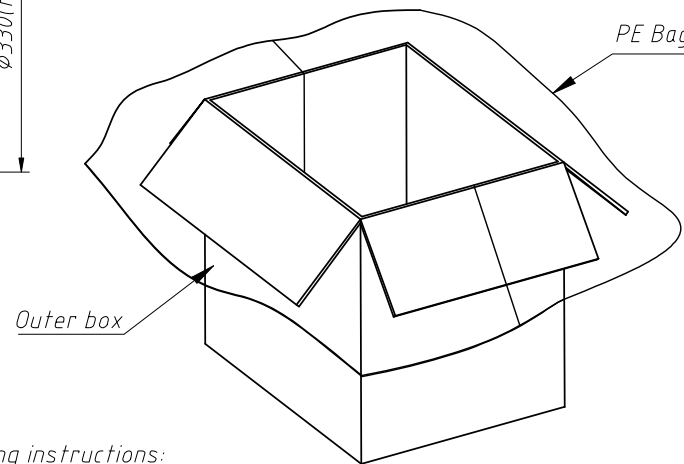
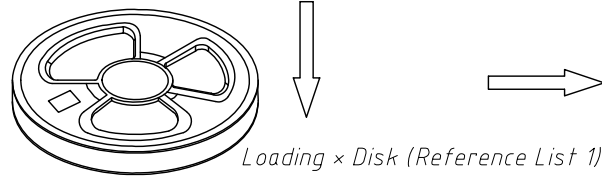
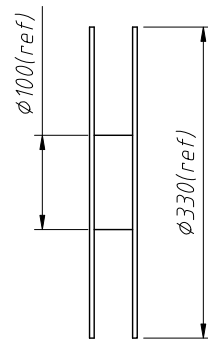
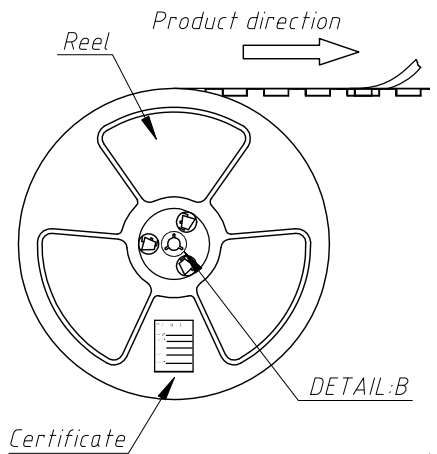
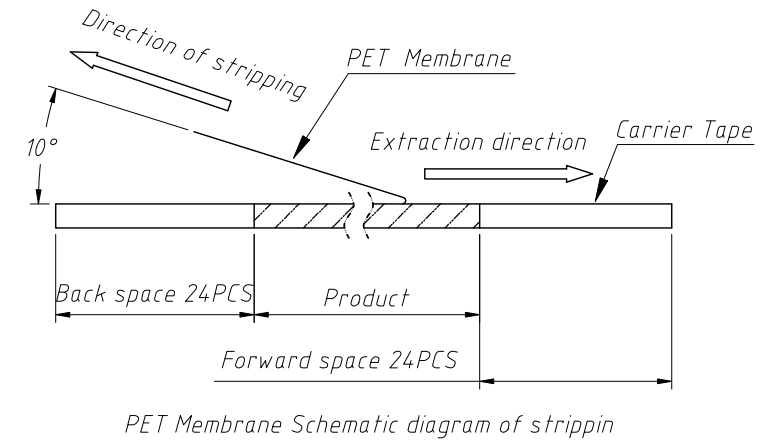
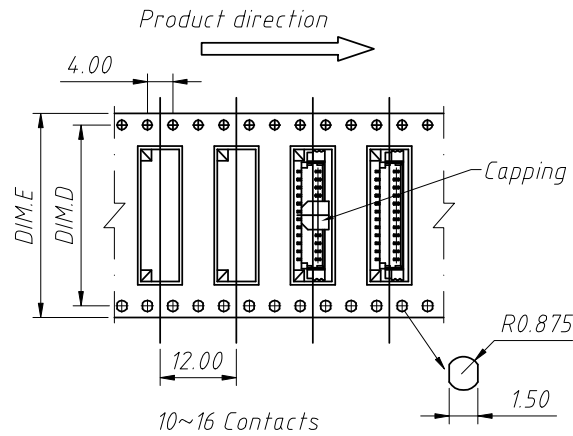
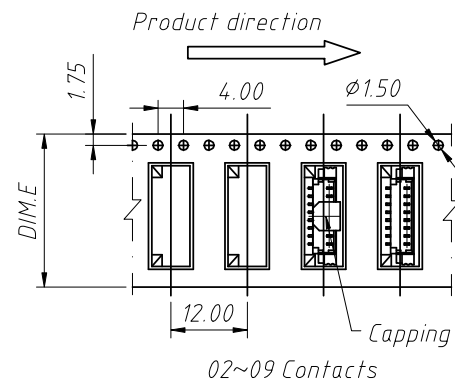
Suggested PCB Layout



Material:
 Insulator:LCP UL94V-0,Beige
 Contacts:Phosphor Bronze,Tin Plated
 Solder Tab:Brass,Tin Plated
 Electrical Specification:
 Poles: 02 to 16
 Contact resistance: $\leq 20m\Omega$
 Insulation resistance: $\geq 100M\Omega$
 Rated voltage:125V AC DC
 Rated current:1.0A AC DC
 Withstand Voltage:500V AC/minute
 Temperature Range:-25°C~ +105°C

Circuit	Dimensions(mm)				Circuit	Dimensions(mm)			
	A	B	C	D		A	B	C	D
02	1.50	4.25	7.75	3.05	10	11.25	14.25	17.75	13.05
03	2.50	5.50	9.00	4.30	11	12.50	15.50	19.00	14.30
04	3.75	6.75	10.25	5.55	12	13.75	16.75	20.25	15.55
05	5.00	8.00	11.50	6.80	13	15.00	18.00	21.50	16.80
06	6.25	9.25	12.75	8.05	14	16.25	19.25	22.75	18.05
07	7.50	10.50	14.00	9.30	15	17.50	20.50	24.00	19.30
08	8.75	11.75	15.25	10.55	16	18.75	21.75	25.25	20.55
09	10.00	13.00	16.50	11.80					

GENERAL TOLERANCE	PROJECTION		Description:
X. ± 0.30	UNITS	mm	Ptich 1.25mm Vertical SMT Wafer
.X ± 0.20	SCALE	1:1	
.XX ± 0.10	Draw by:	Jenny	KLS P/N: L-KLS1-XL1-1.25-XX-VM-R
ANGLE TOLERANCE	Check by:		NingBo KLS ELECTRONIC CO.,L TD.
X. $\pm 5^\circ$	Date	2018-03-01	
.X $\pm 3^\circ$			
.XX $\pm 2^\circ$	SHEET	1 OF 1	



Packaging instructions:

Pack the finished products into reels, each with 1000 PCS.

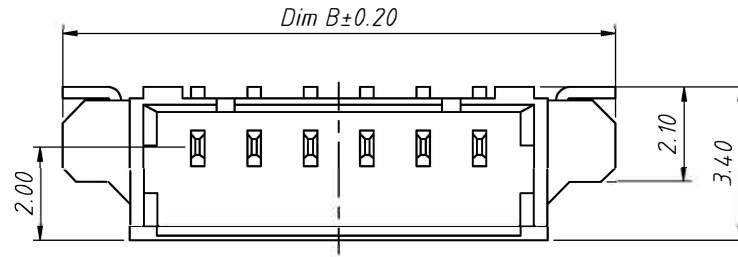
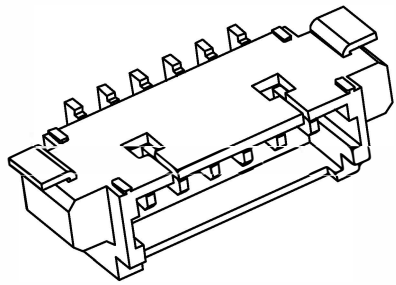
The product will be packed by pasting a certificate on the reel.

The reel is put into the outer box, and the outer box is fitted with one first.

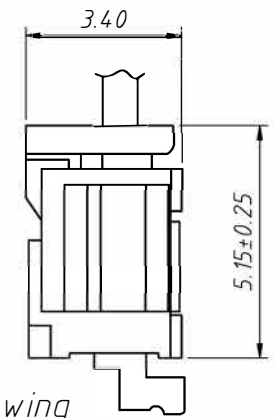
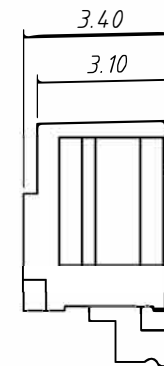
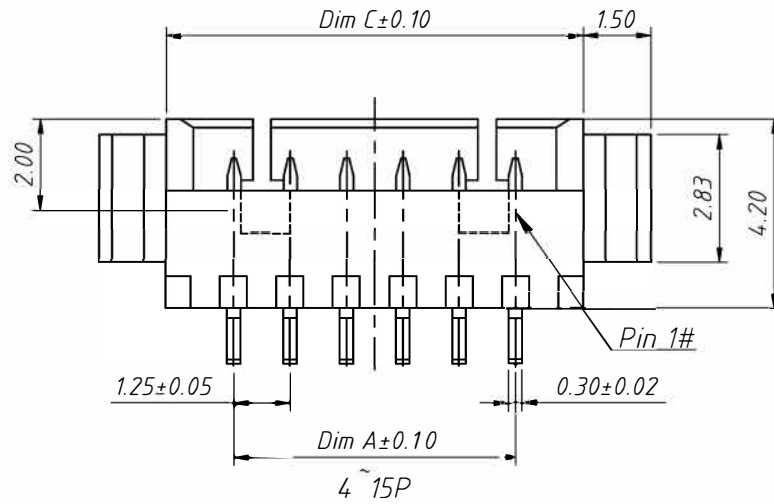
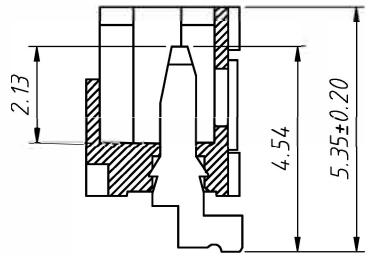
Large PE bags with qualified certificates affixed on the outer case.

Circuits	DIM.D	DIM.E	Q'ty/Reel	Packing Reel/Caton
02-03 PIN	--	16	1000 PCS	20/Reel
04-09 PIN	--	24	1000 PCS	15/Reel
10-13 PIN	28.4	32	1000 PCS	11/Reel
114-16 PIN	40.4	44	1000 PCS	8/Reel

GENERAL TOLERANCE	PROJECTION		Description:
.X ±0.30	UNITS	mm	Packaging Specification PITCH 1.25mm Vertical SMT
.X ±0.20	SCALE	1:1	
.XX ±0.10	Draw by:	Jenny	
ANGLE TOLERANCE	Check by:		KLS P/N: L-KLS1-XL1-1.25-XX-VM-R
.X ±5°	Date	2018-03-01	NingBo KLS ELECTRONIC CO.,L TD.
.X ±3°	SHEET	1 OF 1	
.XX ±2°			

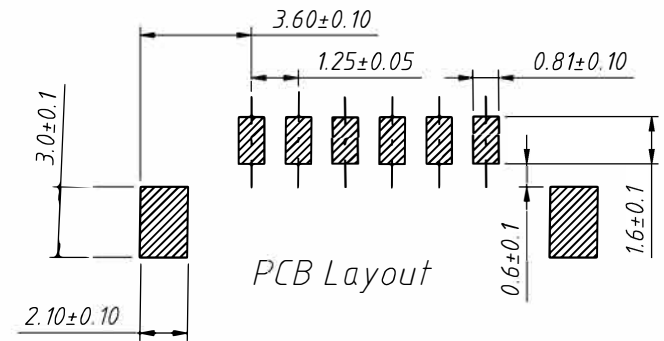
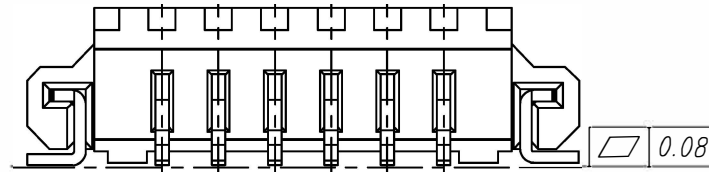
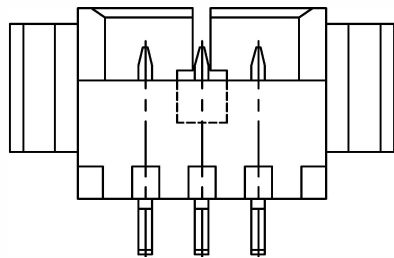


Electrical Specification:
 Voltage rating: 125V AC/DC
 Current rating: 1.0A AC/DC
 Withstand Voltage: 250V AC/minute
 Insulation resistance: 100M Ω min
 Contact resistance: 20m Ω max
 Temperature Range: -25°C ~ + 85°C



Mating Height Drawing

2P:3P

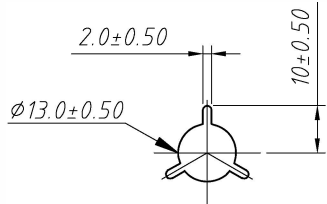
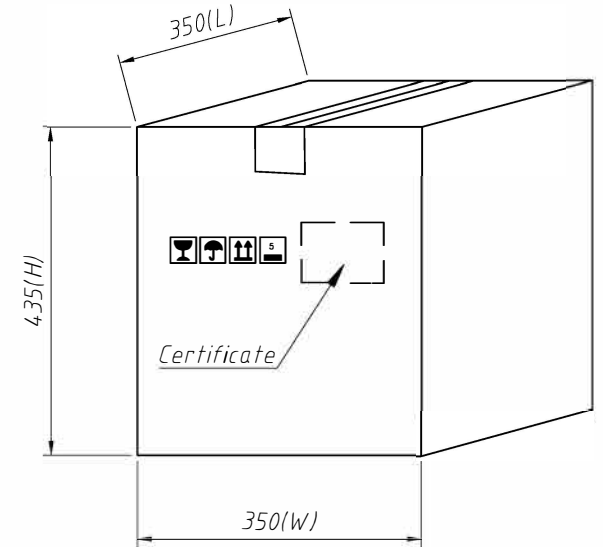
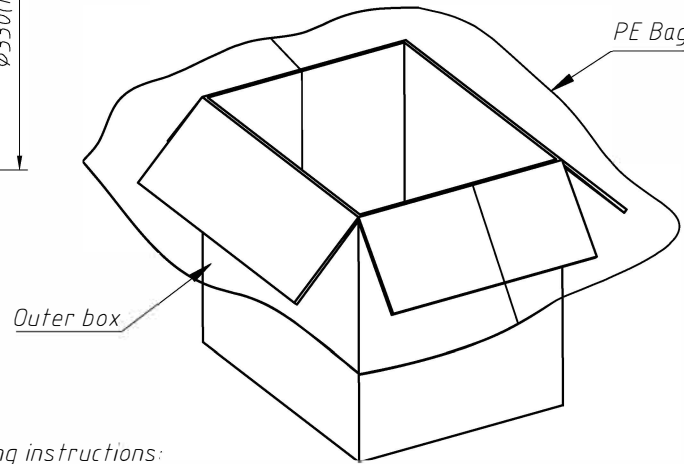
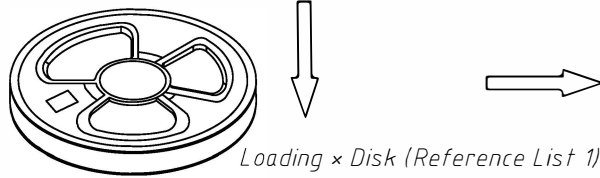
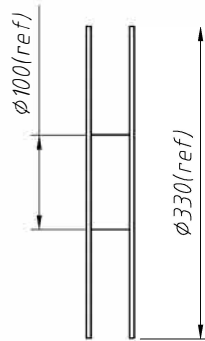
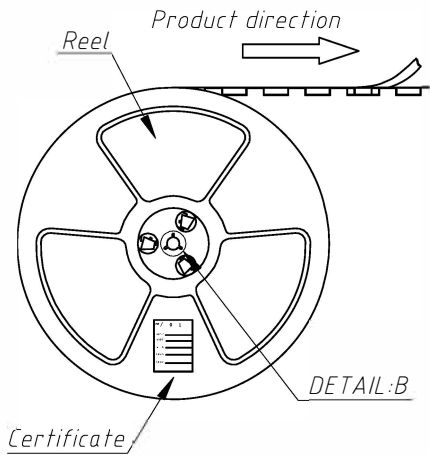
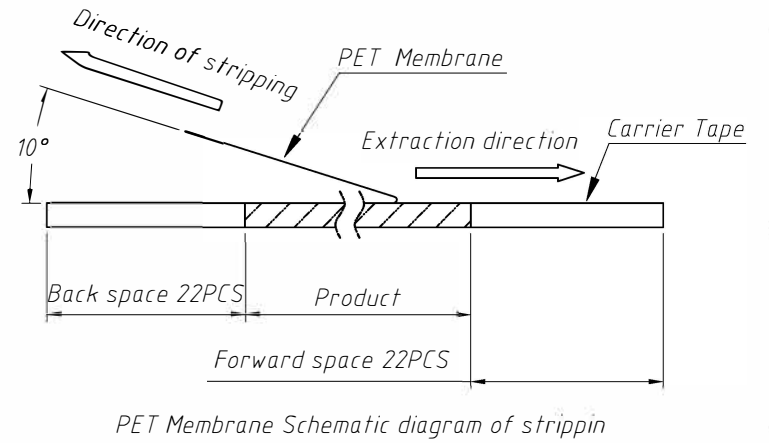
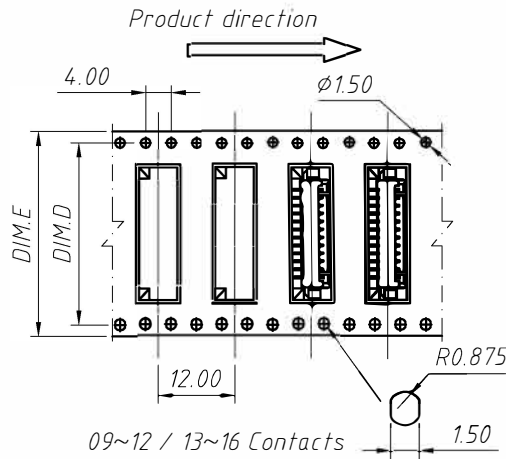
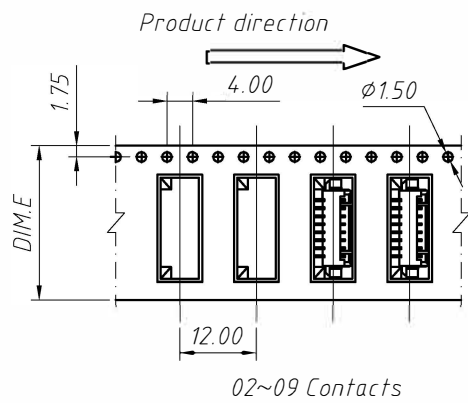


PCB Layout

Circuit	Dimensions(mm)			Circuit	Dimensions(mm)		
	A	B	C		A	B	C
02	1.25	7.25	4.75	10	11.25	17.25	14.25
03	2.50	8.50	5.50	11	12.50	18.50	15.50
04	3.75	9.75	6.75	12	13.75	19.75	16.75
05	5.00	11.00	8.00	13	15.00	21.00	18.00
06	6.25	12.25	9.25	14	16.25	22.25	19.25
07	7.50	13.50	10.50	15	17.50	23.50	20.50
08	8.75	14.75	11.75				
09	10.00	16.00	13.00				

Material:
 Poles: 02 to 15P
 Insulator: Nylon 46, UL 94V-0
 Colour: Beige
 Contacts: Phosphor Bronze
 Plating: Tin Plated
 Solder Tab: Brass
 Plating: Tin Plated

GENERAL TOLERANCE	PROJECTION		Description:
X. ±0.30	UNITS	mm	1.25mm SMT 90° Wafer Connector
.X ±0.20	SCALE	1:1	
.XX ±0.10	Draw by:	Jenny	
ANGLE TOLERANCE	Check by:		KLS P/N: L-KLS1-XL1-1.25-XX-RM-R
X. ±5°	Date	2018-03-01	NingBo KLS ELECTRONIC CO.,L TD.
.X ±3°	SHEET	1 OF 1	
.XX ±2°			



Packaging instructions:


Pack the finished products into reels, each with 1500 PCS.

The product will be packed by pasting a certificate on the reel.

The reel is put into the outer box, and the outer box is fitted with one first.

Large PE bags with qualified certificates affixed on the outer case.

Circuits	DIM.D	DIM.E	Q'ty/Reel	Packing Reel/Carton
02 PIN	--	12	2000 PCS	25/Reel
03-06 PIN	--	16	1500 PCS	20/Reel
07-14 PIN	--	24	1500 PCS	15/Reel
15-18 PIN	28.4	32	1500 PCS	11/Reel

GENERAL TOLERANCE	PROJECTION	Symbol	Description:
.X ±0.30	UNITS	mm	Packaging Specification Ptich 1.25mm Horizontal SMT
.X ±0.20	SCALE	1:1	
.XX ±0.10	Draw by:	Jenny	
ANGLE TOLERANCE	Check by:		KLS P/N: L-KLS1-XL1-1.25-XX-RM-R
.X ±5°	Date	2018-03-01	 NingBo KLS ELECTRONIC CO.,L TD.
.X ±3°	SHEET	1 OF 1	
.XX ±2°			