

Nylon Cable Glands

KLS8-0607 PG Type Nylon Cable Glands

Material:Nylon PA6

Sealing:NBR, EPDM

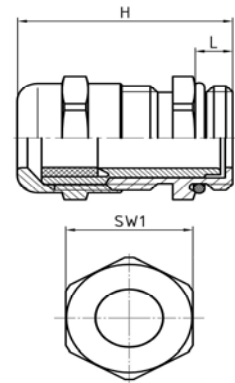
Working temperature:-40℃ ~100℃ , (120℃,short time)

Characteristics:IP68(Rotate the part, and use O-ring)

Color: Black , light grey



Item No.	Cable Range > Ø < (mm)	Outer diameter of thread (mm)	Mounting hole diameter (mm)	Thread length L(mm)	Joint length H(mm)	Wrench diameter (MM)
PG-7	3~6.5	12.5	12.5~12.8	8	22	16
PG-7S	2~5	12.5	12.5~12.8	8	22	16
PG-9	4~8	15.2	15.2~15.5	8	26	19
PG-9S	2~6	15.2	15.2~15.5	8	26	19
PG-11	5~10	18.6	18.6~18.9	8	27	22
PG-11S	3~7	18.6	18.6~18.9	8	27	22
PG-13.5	6~12	20.4	20.4~20.7	9	28	24
PG-13.5S	5~9	20.4	20.4~20.7	9	28	24
PG-16	10~14	22.5	22.5~22.8	10	30	27
PG-16S	7~12	22.5	22.5~22.8	10	30	27
PG-19	12~16	24	24~24.3	10	30	27
PG-19S	10~13	24	24~24.3	10	30	27
PG-21	13~18	28.3	28.3~28.6	10	35	33
PG-21S	9~16	28.3	28.3~28.6	10	35	33
PG-25	16~21	30	30~30.3	11	34	35
PG-25S	13~18	30	30~30.3	11	34	35
PG-29	18~25	37	37~37.3	12	40	42
PG-29S	13~20	37	37~37.3	12	40	42
PG-36	22~32	47	47~47.3	14	48	52
PG-36S	20~26	47	47~47.3	14	48	52
PG-42	32~38	54	54~54.3	14	49	60
PG-42S	25~31	54	54~54.3	14	49	60
PG-48	37~44	59.3	59.3~59.6	14	50	64
PG-48S	29~35	59.3	59.3~59.6	14	50	64
PG-63	42~50	70	70~70.3	27	60	72



Oder Information

KLS8-0607-PG-7-B0

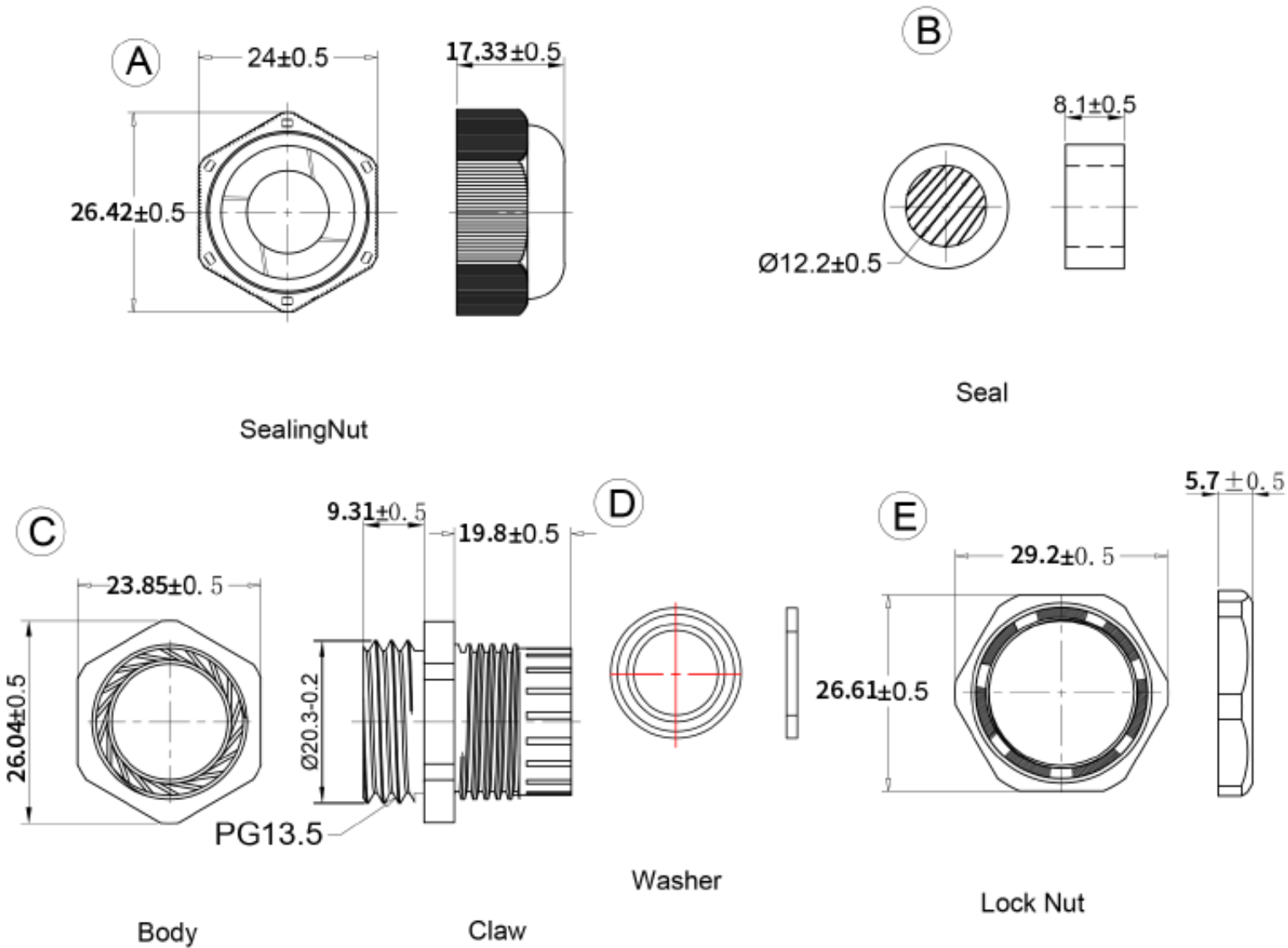
0607: PG Type Nylon Cable Glands

PG-7: Item No.

B: Color Code: B-Black G-Gray

Nylon Cable Glands

KLS8-0607 PG Type Nylon Cable Glands



Order Information

L-KLS8-0607-PG-13.5-B2

L:RoHS Compliance

0607: PG Type Nylon Cable Glands

Item No: PG-13.5

B: Color Code: B-Black G-Gray

Quality level: 0/1/2/3

