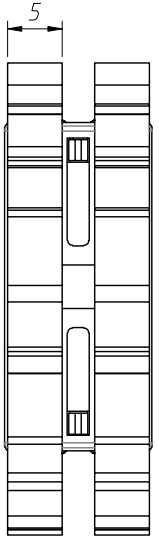
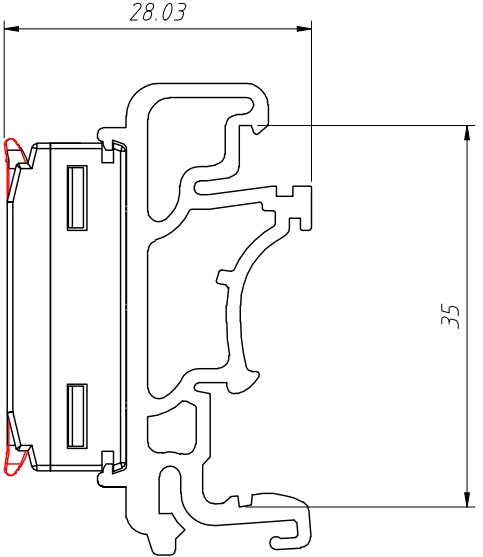
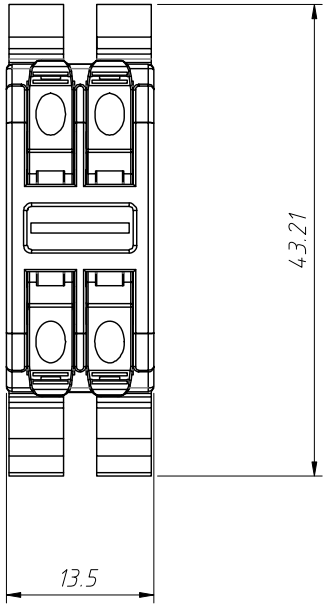


1  
RoHS Compliance

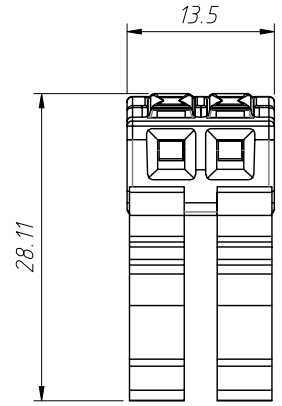
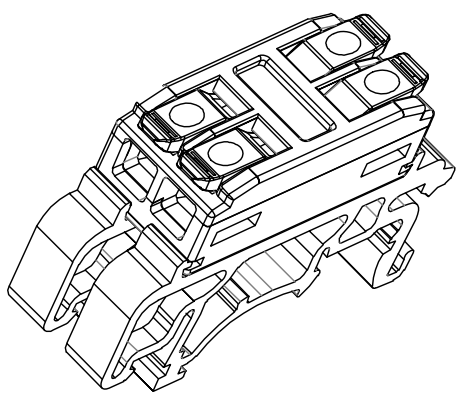


Material:  
 Housing: PA66/PC, UL 94V-0(2)  
 Contact: Brass, Tin plated  
 Spring clasp: 301 Imported stainless steel  
 Applicable wires: 13 ~ 28AWG

Electrical Characteristics:  
 Current rating: 32A  
 Voltage rating: 300V  
 Temperature range: -25°C ~ +95°C  
 Insulator Resistance: 1000MΩ Min  
 Contact Resistance: 0.015mΩ Max  
 Dimensional Be Smaller 5 Tolerance ±0.05mm

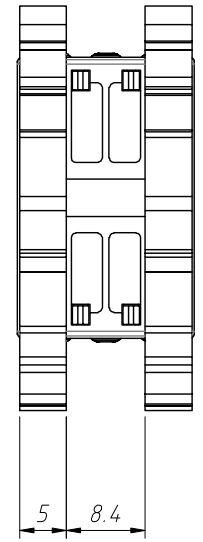
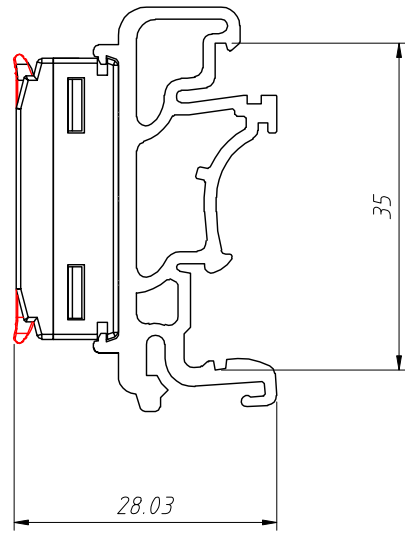
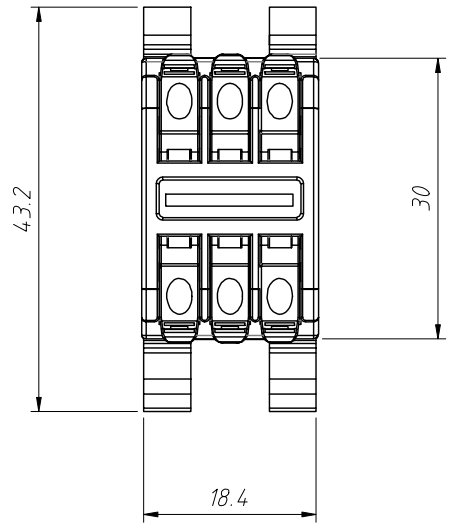
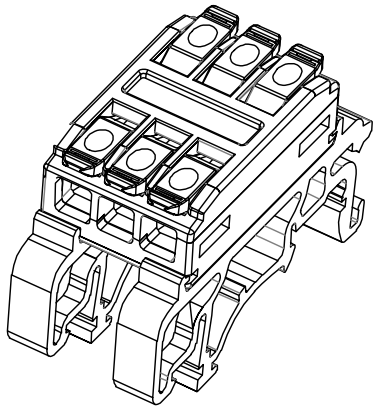
Order Information:  
 L-KLS2-L240D-02-E

L: RoHS  
 Serial No.  
 No. of 02 pins  
 Handle Color:  
 E-Orange press handle  
 D-Color press handle (02,03pins)



ANGLE TOLERANCE	PROJECTION	Description:	Din Rail Wire Splice Connectors, For 13-28AWG, 02 Pins	
±3°				
GENERAL TOLERANCE	UNITS	mm	KLS P/N:	L-KLS2-L240D-02-E
x.x ±0.30	SHEET SIZE	A4		
x.xx ±0.20	Draw:	Daniel	2020-11-11	NingBo KLS ELECTRONIC CO.,L.TD.
x.xxx ±0.10	Check:	Daniel	2020-11-11	

1  
RoHS Compliance

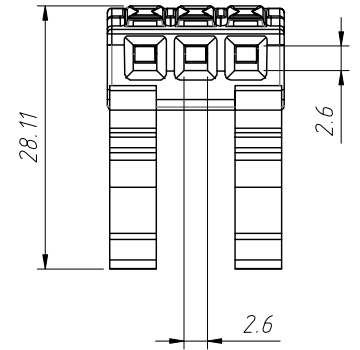
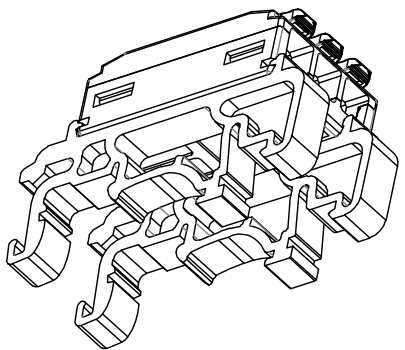


Material:  
 Housing: PA66/PC, UL 94V-0(2)  
 Contact: Brass, Tin plated  
 Spring clasp: 301 Imported stainless steel  
 Applicable wires: 13~28AWG

Electrical Characteristics:  
 Current rating: 32A  
 Voltage rating: 300V  
 Temperature range: -25°C ~ +95°C  
 Insulator Resistance: 1000MΩ Min  
 Contact Resistance: 0.015mΩ Max  
 Dimensional Be Smaller 5 Tolerance ±0.05mm

Order Information:  
 L-KLS2-L240D-03-D

L: RoHS  
 Serial No.  
 No. of 03 pins  
 Handle Color:  
 D-Color press handle (02,03pins)



ANGLE TOLERANCE	PROJECTION	Description:	Din Rail Wire Splice Connectors, For 13-28AWG, 03 Pins	
±3°				
GENERAL TOLERANCE	UNITS	mm	KLS P/N:	L-KLS2-L240D-03-D
x.x ±0.30	SHEET SIZE	A4		
x.xx ±0.20	Draw:	Daniel	2020-11-11	NingBo KLS ELECTRONIC CO.,LTD.
x.xxx ±0.10	Check:	Daniel	2020-11-11	