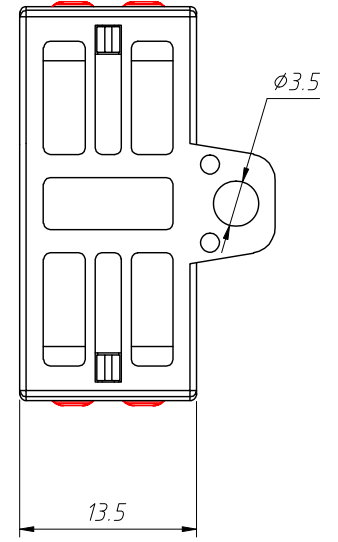
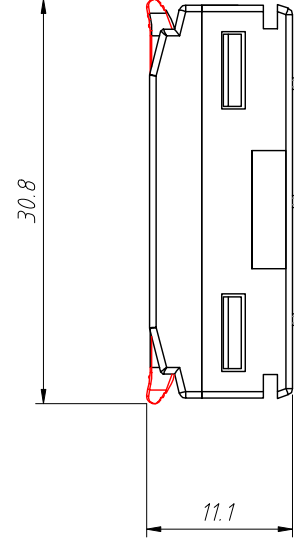
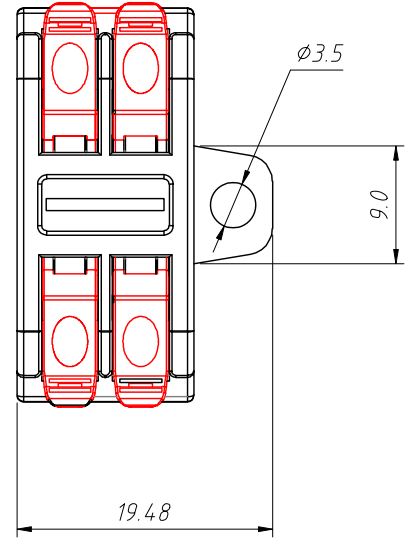
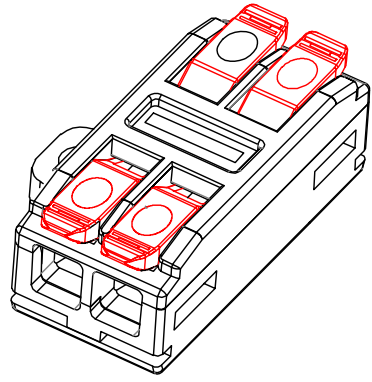


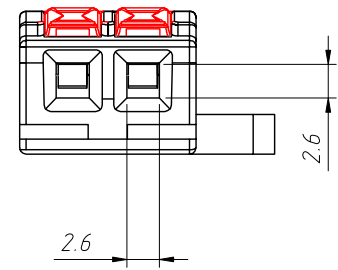
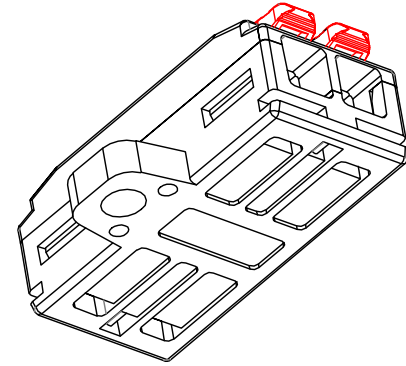
1
RoHS Compliance



Material:
 Housing: PA66/PC, UL94V-0(2)
 Contact: Brass, Tin plated
 Spring clasp: 301 Imported stainless steel
 Applicable wires: 13~28AWG

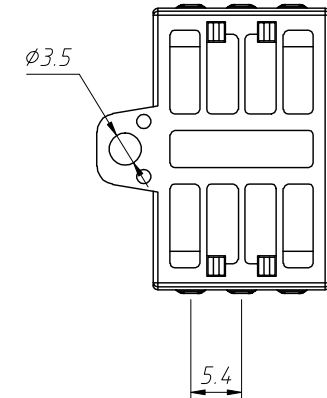
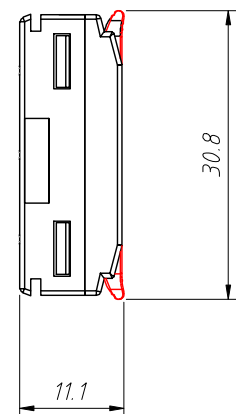
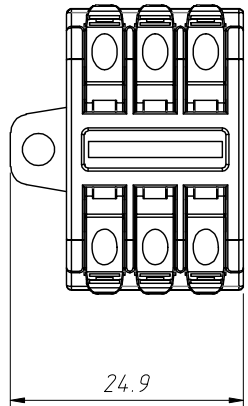
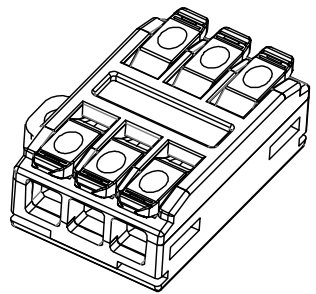
Electrical Characteristics:
 Current rating: 32A
 Voltage rating: 300V
 Temperature range: $-25^{\circ}\text{C} \sim +95^{\circ}\text{C}$
 Insulator Resistance: 1000M Ω Min
 Contact Resistance: 0.015m Ω Max
 Dimensional Be Smaller 5 Tolerance $\pm 0.05\text{mm}$

Order Information:
 L-KLS2-L240A-02-E
 L: RoHS
 Serial No.
 No. of 02 pins
 Handle Color:
 E-Orange press handle
 D-Color press handle (02,03pins)



| | | | | |
|-------------------|------------|--------------|--|---------------------------------|
| ANGLE TOLERANCE | PROJECTION | Description: | Din Rail Wire Splice Connectors, For 13-28AWG, 02 Pins, One ear | |
| $\pm 3^{\circ}$ | | | | |
| GENERAL TOLERANCE | UNITS | mm | KLS P/N: | L-KLS2-L240A-02-E |
| x.x ± 0.30 | SHEET SIZE | A4 | | |
| x.xx ± 0.20 | Draw: | Daniel | 2020-11-11 | NingBo KLS ELECTRONIC CO.,L TD. |
| x.xxx ± 0.10 | Check: | Daniel | 2020-11-11 | |

1
RoHS Compliance

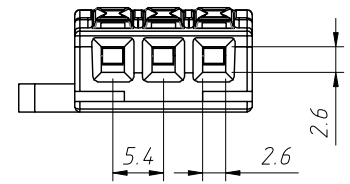
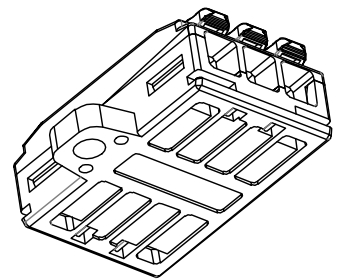


Material:
 Housing: PA66/PC, UL 94V-0(2)
 Contact: Brass, Tin plated
 Spring clasp: 301 Imported stainless steel
 Applicable wires: 13 ~ 28AWG

Electrical Characteristics:
 Current rating: 32A
 Voltage rating: 300V
 Temperature range: -25°C ~ +95°C
 Insulator Resistance: 1000M Ω Min
 Contact Resistance: 0.015m Ω Max
 Dimensional Be Smaller 5 Tolerance ± 0.05 mm

Order Information:
 L-KLS2-L240A-03-D

L: RoHS
 Serial No.
 No. of 03 pins
 Handle Color:
 D-Color press handle (02,03pins)



| | | | |
|-------------------|------------|--------------|--|
| ANGLE TOLERANCE | PROJECTION | Description: | Din Rail Wire Splice Connectors, For 13-28AWG, 03 Pins, One ear |
| $\pm 3^\circ$ | | | |
| GENERAL TOLERANCE | UNITS | mm | KLS P/N: L-KLS2-L240A-03-D |
| x.x ± 0.30 | SHEET SIZE | A4 | |
| x.xx ± 0.20 | Draw: | Daniel | 2020-11-11 |
| x.xxx ± 0.10 | Check: | Daniel | 2020-11-11 |

