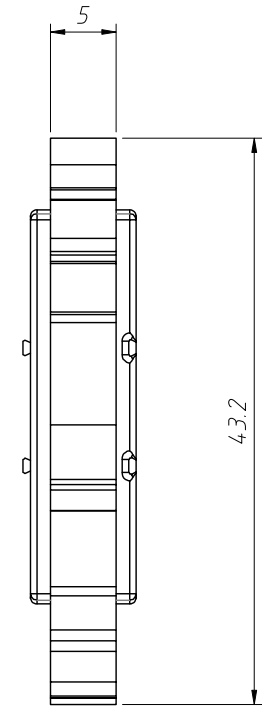
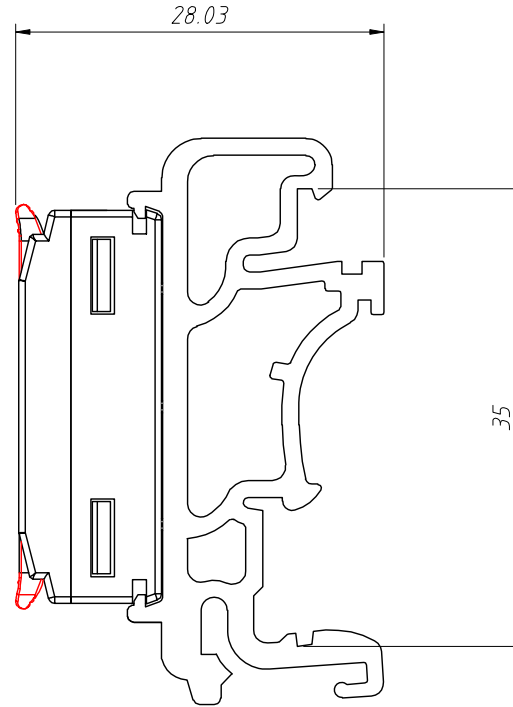
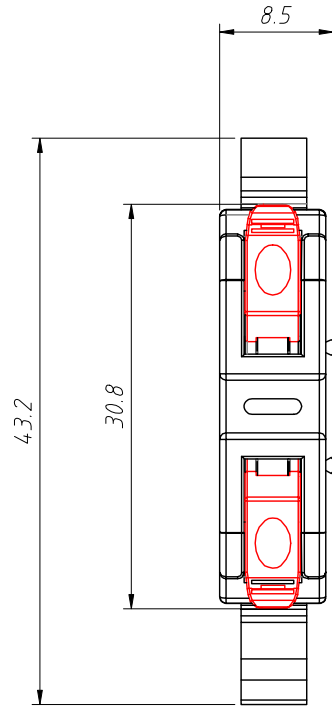
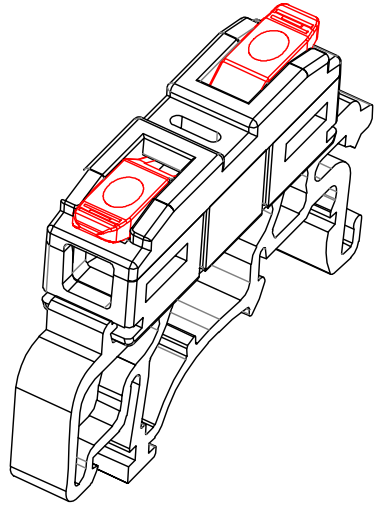


1 RoHS Compliance



Material:

Housing: PA66/PC, UL 94V-0(2)

Contact: Brass, Tin plated

Spring clasp: 301 Imported stainless steel

Applicable wires: 13 ~ 28AWG

Electrical Characteristics:

Current rating: 32A

Voltage rating: 300V

Temperature range: -25°C ~ +95°C

Insulator Resistance: 1000MΩ Min

Contact Resistance: 0.015mΩ Max

Dimensional Be Smaller 5 Tolerance ±0.05mm

Order Information:

L-KLS2-L239D-01-E

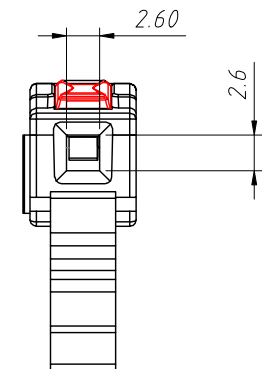
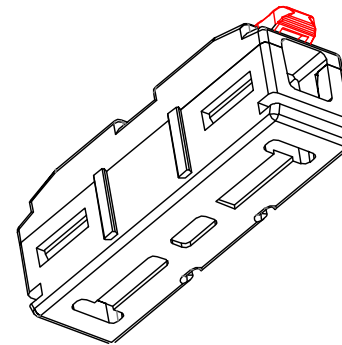
L: RoHS

Serial No.

No. of 01 pins

Handle Color:

E-Orange press handle



ANGLE TOLERANCE	PROJECTION	Description:	Din Rail Wire Splice Connectors, For 13-28AWG, 01 Pins
±3°			
GENERAL TOLERANCE	UNITS	mm	KLS P/N: L-KLS2-L239D-01-E
x.x ±0.30	SHEET SIZE	A4	
x.xx ±0.20	Draw:	Daniel	2020-11-11
x.xxx ±0.10	Check:	Daniel	2020-11-11



NingBo KLS ELECTRONIC CO.,L TD.