

# 1. Externally driven piezo buzzer ELECTRICAL SPECIFICATION

PART NO:L-KLS3-PT-17\*08

Item		Unit	Specifications
1-1	Rated Voltage (Square Wave)	Vp-p	9 (3Vp-p~12Vp-p Customizable)
1-2	Max.Allowable Voltage	Vp-p	25
1-3	Rated Current (Max)	mA	3
1-4	Min Sound Output at 4.0kHz/10cm	dB	80
1-5	Resonant Frequency	Hz	4000±500
1-6	Capacitance at 120Hz	pF	14000±30%
1-7	Operating Temperature	°C	-40~+85
1-8	Storage Temperature	°C	-40~+105
1-9	Weight	g	1
1-10	Housing Material	PPO	
1-11	Lead Pin Material	Phosphor Bronze (DSn)	

\* Value Applying at Rated Voltage (resonant frequency, 1/2 duty, square wave)

## 2.ENVIRONMENTAL TEST

Item		Specifications
2-1	Storage in High temp.	Storage in +85°C±2°C test box for 240 hours, then expose to the room temperature for 2 hours without applying power.
2-2	Storage in Lower temp.	Storage in -30°C±2°C test box for 240 hours, then expose to the room temperature for 2 hours without applying power.
2-3	Storage in Humidity	Storage in +40°C±2°C 90-95%RH test box for 96 hours, then expose to the room temperature for 2 hours without applying power.
2-4	Thermal cycle test.	<p>Make this test for 5 cycles without applying power, then expose to the room temperature for 2 hours.</p>
2-5	Vibration test	<p>Amplitude:1.5mm Time :1min/axis</p> <p>Make this test for the directions of X,Y, Z for 2 hours each (total 6 hours).</p>
2-6	Drop test	Free drop a unit from the height 100cm to the surface of 10mm thick board ,three directions(X,Y,Z).
2-7	Solderability test	Soldering temp.:260±5°C Heat applying time: 3±0.5sec.

PASS CRITERION :

After these tests , the change of S.P.L shall be within ±5 dB .



NingBo KLS ELECTRONIC CO.,LTD.

### 3.MEASURING METHOD(BUZZER MODE)

#### 3-1 .Test Condition

##### 3-1-1.STANDARD

Temperature :  $25 \pm 3^{\circ}\text{C}$

Relative humidity : 60% ~ 70%,

Atmospheric pressure : 860mbar to 1060mbar

##### 3-1-2.JUDGEMENT

Temperature : 15 ~  $35^{\circ}\text{C}$

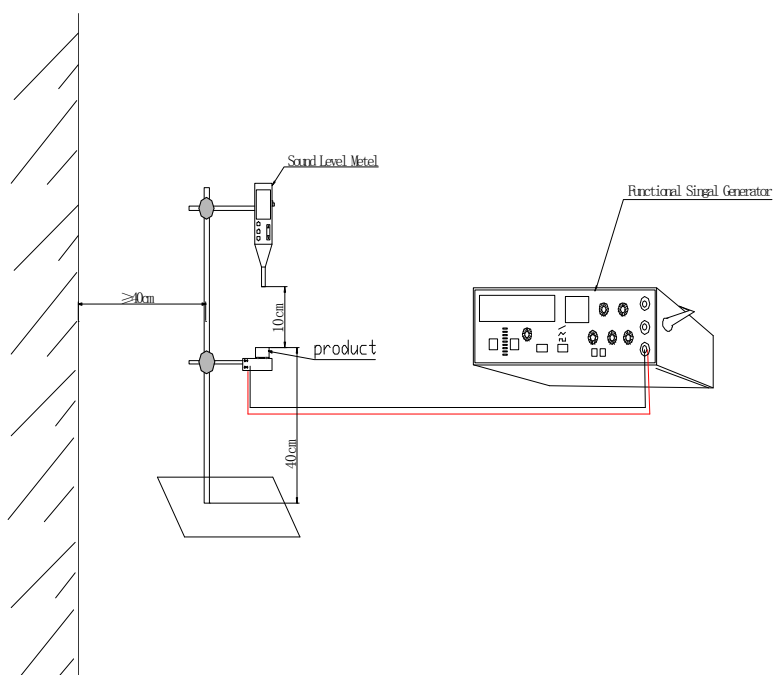
Relative humidity : 45% ~ 85%,

Atmospheric pressure : 860mbar to 1060mbar.

#### 3-2 . Standard Test Fixture

1.rated Voltage(Square wave):10V

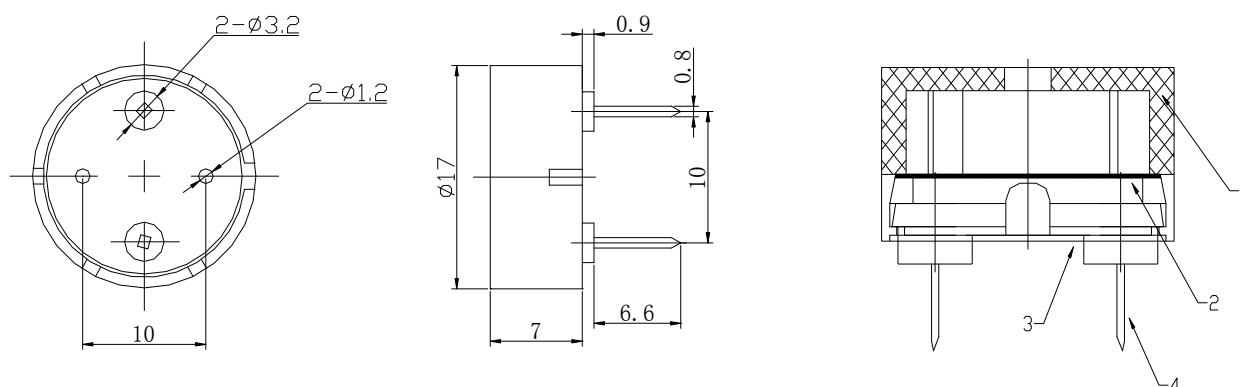
2.Resonant Frequency:4000Hz



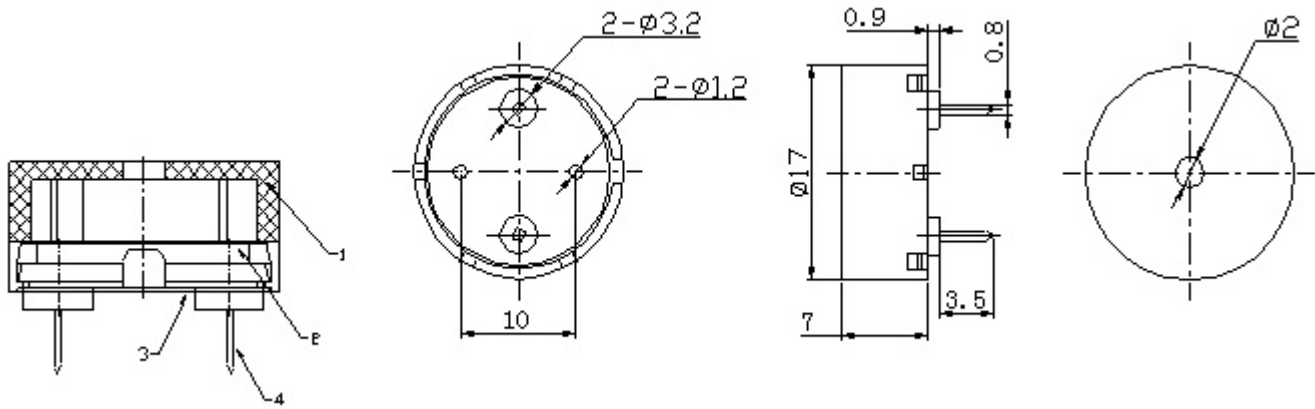
### 4.DIMENSIONS

Unless otherwise specified,tolerance: $\pm 0.5$ (unit:mm)

SIZE 1 TYPE:



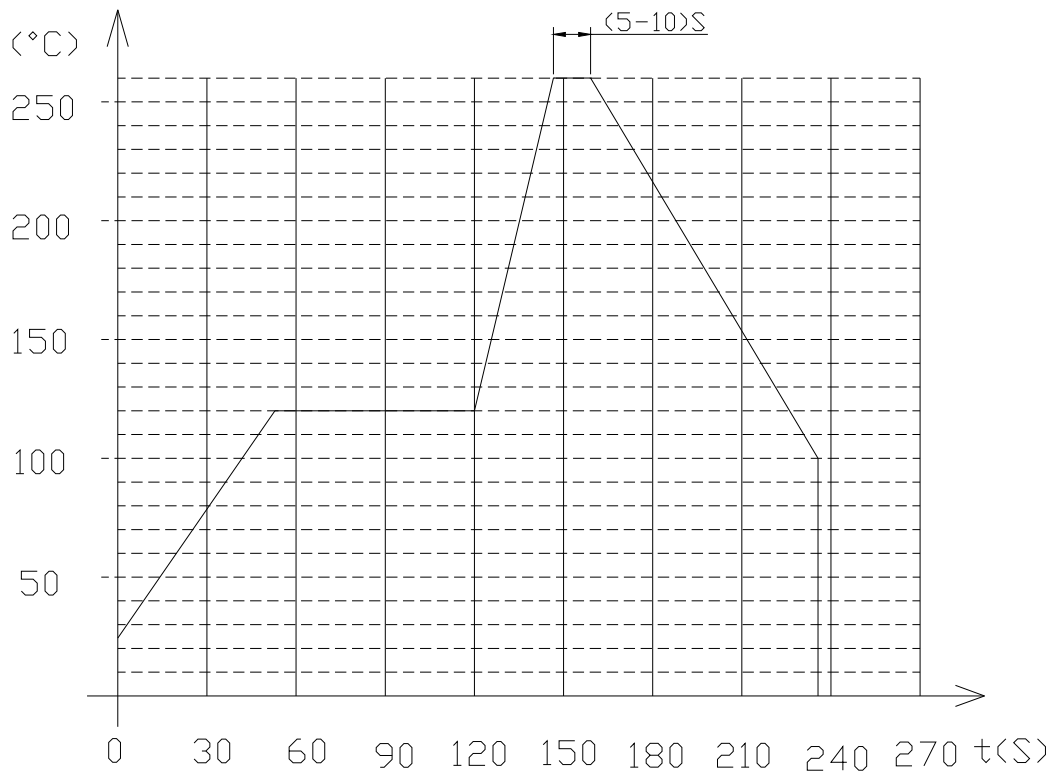
SIZE 2 TYPE:



- 1) All parts must be meet to ROHS.
- 2) Wave solder allowed, wash not allowed.

2	Piezo element	1	Brass	
1	Housing	1	Black PBT	
Part No.	Part Name	Q'TY	Material	Remark

### 5. WAVE SOLDER CURVE



# 6.PACKING

