

1. Externally driven magnetic buzzers Electrical Specification:

PART NO:L-KLS3-MT-12*8.5

Item	Unit	Specifications
1-1	Rated Voltage (Square Wave)	Vo-p 1.5
1-2	Operating Voltage	Vo-p 1~3
1-3	* Rated Current (Max)	mA 30
1-4	* Min Sound Output at 10cm	dB 85
1-5	* Resonant Frequency	Hz 2048
1-6	Coil Resistance	Ω 16 ± 4.5
1-7	Operating Temperature	$^{\circ}\text{C}$ -30~+70
1-8	Storage Temperature	$^{\circ}\text{C}$ -40~+85
1-9	Weight	g 2
1-10	Housing Material	PPO

* Value Applying at Rated Voltage (resonant frequency, 1/2 duty, square wave)

2. ENVIRONMENTAL TEST

Item	Specifications
2-1	Storage in High temp. Storage in $+85^{\circ}\text{C} \pm 2^{\circ}\text{C}$ test box for 96 hours, then expose to the room temperature for 2 hours without applying power.
2-2	Storage in Low temp. Storage in $-40^{\circ}\text{C} \pm 2^{\circ}\text{C}$ test box for 96 hours, then expose to the room temperature for 2 hours without applying power.
2-3	Storage in Humidity Storage in $+40^{\circ}\text{C} \pm 2^{\circ}\text{C}$ 90-95%RH test box for 96 hours, then expose to the room temperature for 2 hours without applying power.
2-4	Thermal cycle test. <p>Make this test for 5 cycles without applying power, then expose to the room temperature for 2 hours.</p>
2-5	Vibration test <p>Amplitude: 1.5mm Time : 1min/axis</p> <p>Make this test for the directions of X,Y, Z for 2 hours each (total 6 hours).</p>
2-6	Drop test Free drop a unit from the height 100cm to the surface of 10mm thick board ,three directions(X,Y,Z).
2-7	Solderability test Soldering temp.: $260 \pm 5^{\circ}\text{C}$ Heat applying time: $3 \pm 0.5\text{sec}$.

PASS CRITERION :

After these tests , the change of S.P.L shall be within $\pm 5 \text{ dB}$.



NingBo KLS ELECTRONIC CO.,LTD.

3.MEASURING METHOD(BUZZER MODE)

3-1 .Test Condition

3-1-1.STANDARD

Temperature : $25 \pm 3^{\circ}\text{C}$

Relative humidity : 60% ~ 70%,

Atmospheric pressure : 860mbar to 1060mbar

3-1-2.JUDGEMENT

Temperature : 15 ~ 35°C

Relative humidity : 45% ~ 85%,

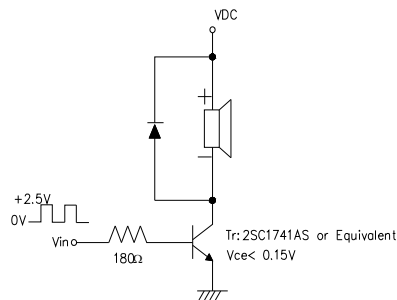
Atmospheric pressure : 860mbar to 1060mbar.

3-2 . Standard Test Fixture

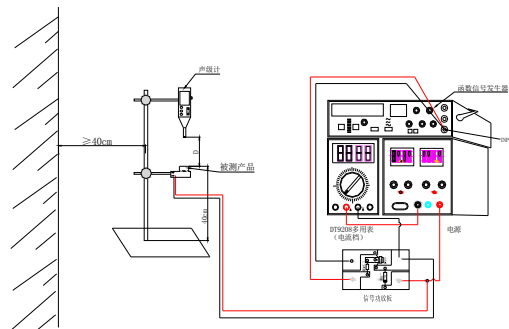
1.rated Voltage(Square wave):1.5V

2.Resonant Frequency:2048Hz

3.Standard Drive Circuit:

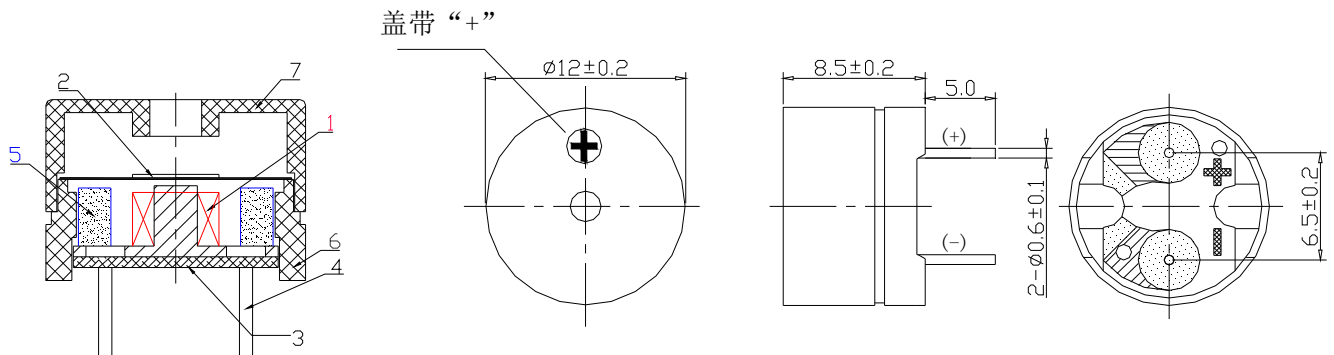


4. Standard test fixture:



4.DIMENSIONS

Unless otherwise specified,tolerance: ± 0.5 (unit:mm)

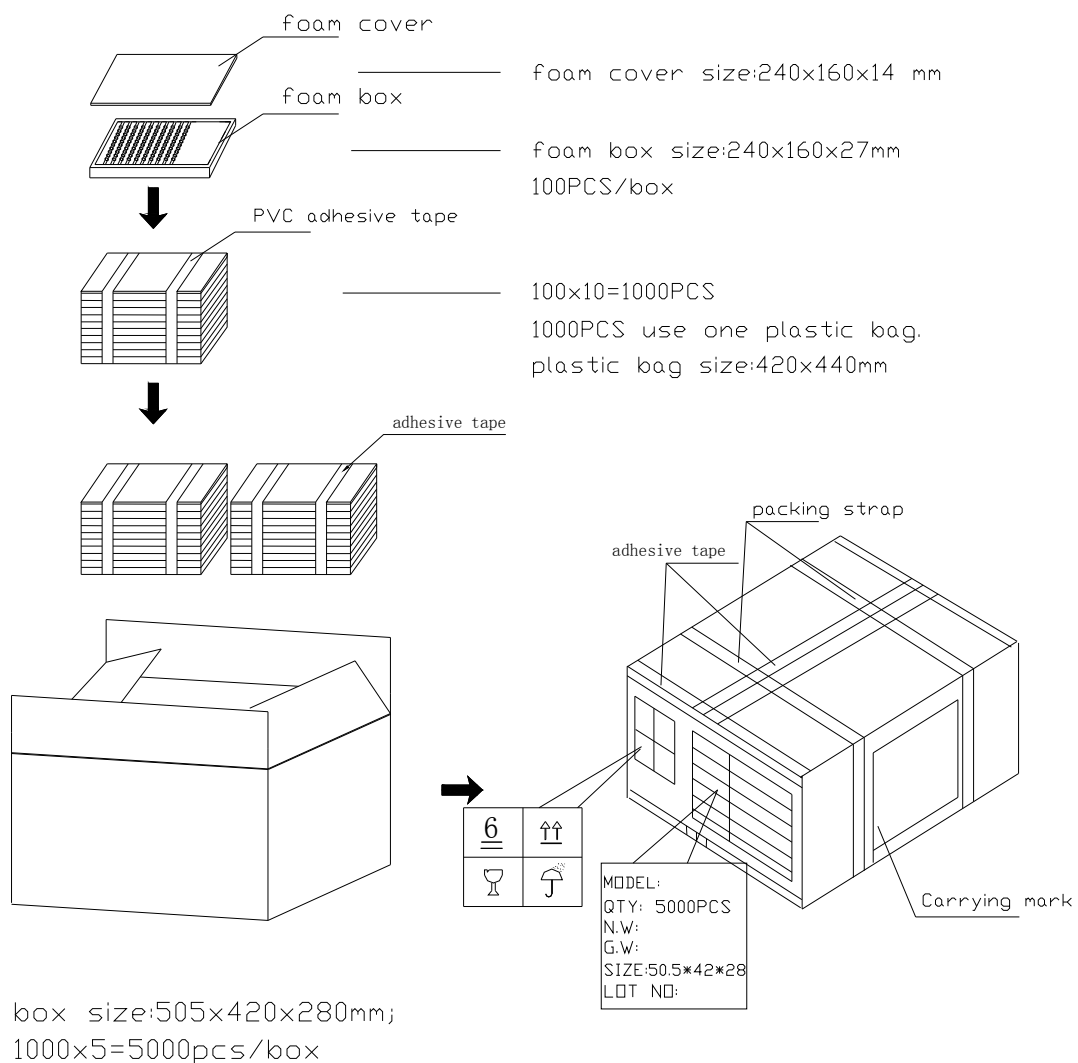


Cadmium(Cd)/Cndmium Compounds	≤100ppm
Lead (Pb) / Lead Compounds	≤800ppm
Mercury (Hg) Merrcury Compounds	≤800ppm
Hexavalent-Chromium (Cr6+) Compounds	≤800ppm
PBB	≤800ppm
PBDE	≤800ppm

1) All parts must be meet to ROHS.

7	Housing	1	Noryl	
6	Housing	1	Noryl	
5	Magent	1	Ferrite	
4	PIN	2	Red Copper	
3	PCB	1	Exopy	
2	Diaphragm	1	Iron	
1	Coil Part	1	Copper And Iron	
Part No.	Part Name	Q'TY	Material	Remark

5.PACKING



NingBo KLS ELECTRONIC CO.,LTD.