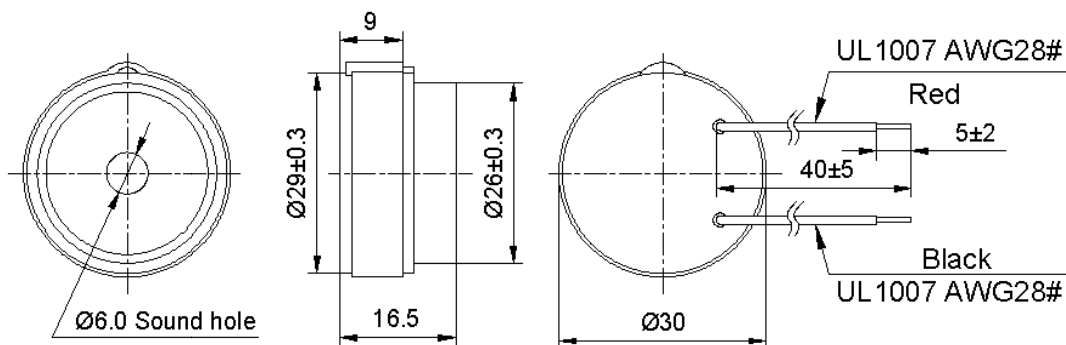


Externally driven piezo buzzer with wire Electrical Specification:

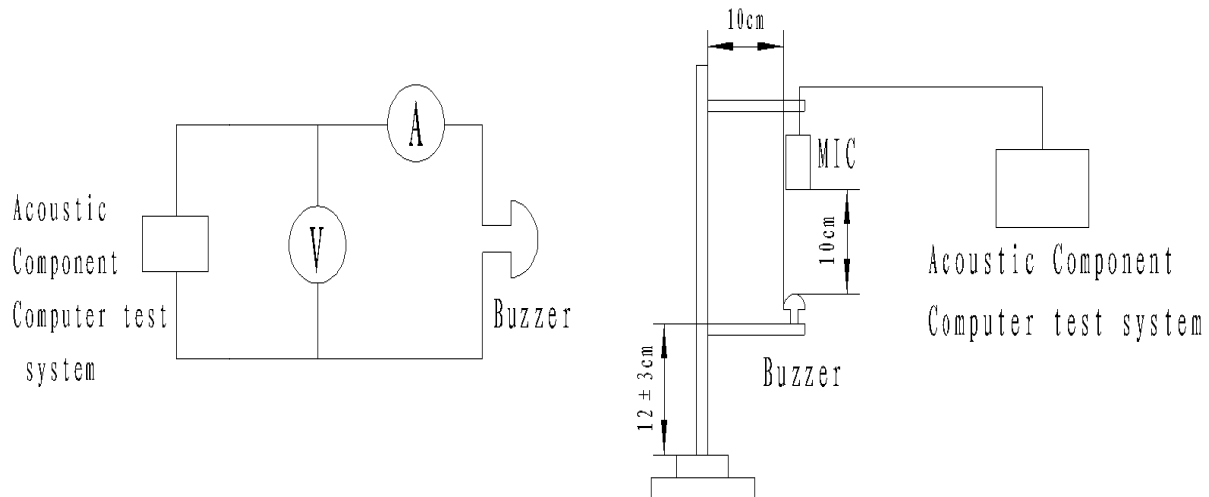
1	Model No.	L-KLS3-LPT-30*16
2	Rated Voltage (Vp-p)	9
3	Operating Voltage (Vp-p)	3-28
4	Resonant Frequency (Hz)	3400 ± 500
5	*Sound Output at 10cm (dB)	≥95
6	*Current Consumption (mA)	≤18
7	Operating Temperature (°C)	-20~+60
8	Storage Temperature (°C)	-30~+70
9	Weight (g)	6
10	Case material and colour	ABS/milk white
11	RoHS	Yes

DIMENSIONS (UNIT: mm)

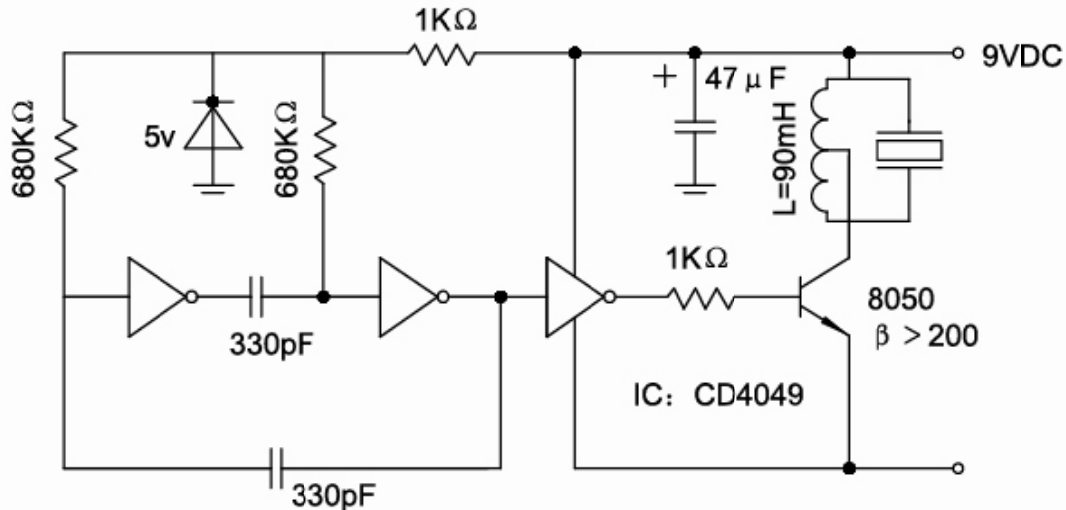
Tolerance: ±0.5mm Except Specified



TEST METHOD:



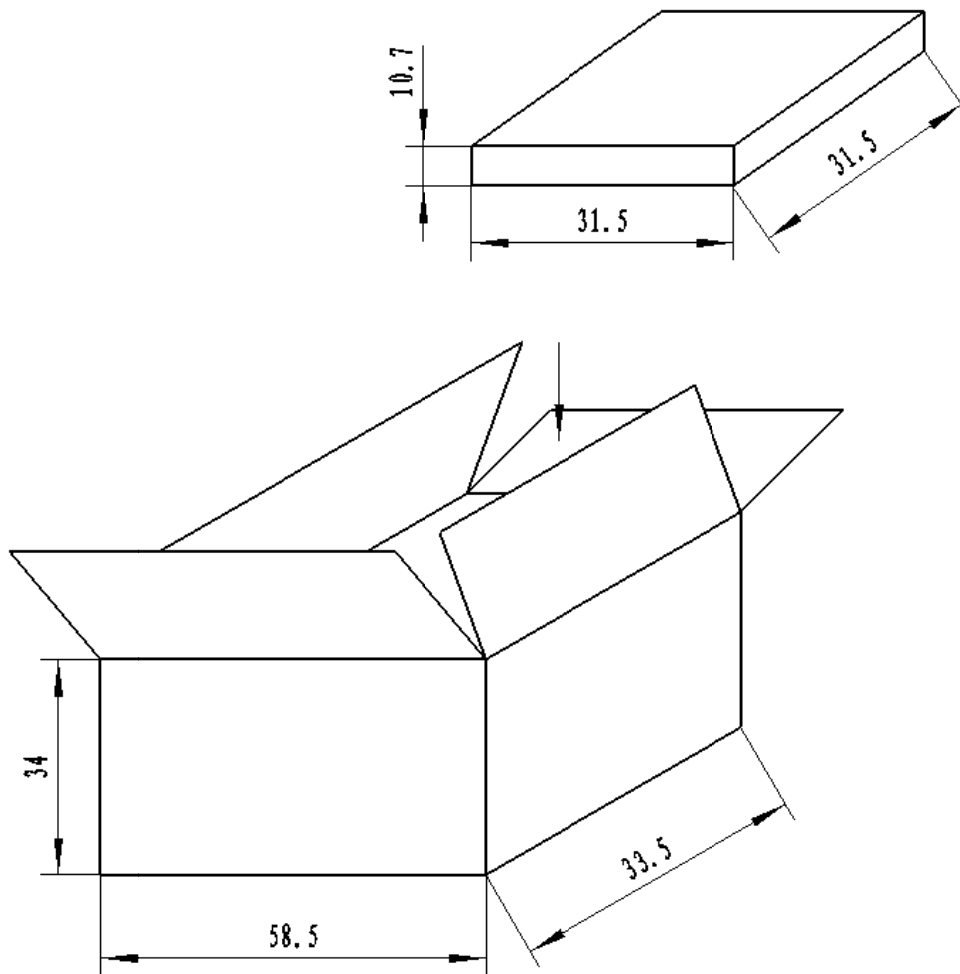
REFERENCE CIRCUIT:



RELIABILTY TEST:

NO.	ITEM	TESTING CONDITION	VARIANCE AFTER TEST
1	Humidity	$40 \pm 2^\circ\text{C}$, 93(+2/-3)%RH, 96HRS	All specifications must be satisfied after the test.
2	High temp.	$+70 \pm 2^\circ\text{C}$, 96HRS	
3	Low temp.	$-30 \pm 2^\circ\text{C}$, 96HRS	
4	Temperature cycling	$-30 \pm 2^\circ\text{C}$, 30minutes room temp. 15 minutes $+70 \pm 2^\circ\text{C}$, 30 minutes room temp. 15 minutes 5 cycles	
5	Drop test	3 times from height of 70cm onto the surface of 10mm thick wooden board.	
6	Vibration test	Make the test for the directions of X Y and Z (total 0.5 hours). To-and-fai. sweep time (from 10 to 55 Hz and then 55 to 10) under single amplitude of 1.0mm is 1 minute.	

PACKING:



NOTES:

- 1.400 PCS per box
- 2.Total 5 boxes per carton
- 3.Total 2000 PCS carton
- 4.Volume: $58.5 \times 33.5 \times 34$ cm