

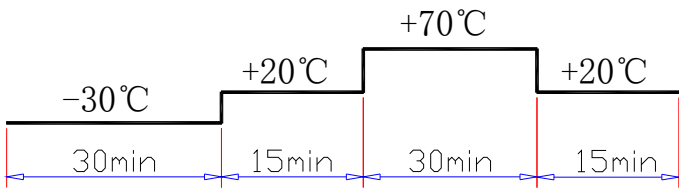
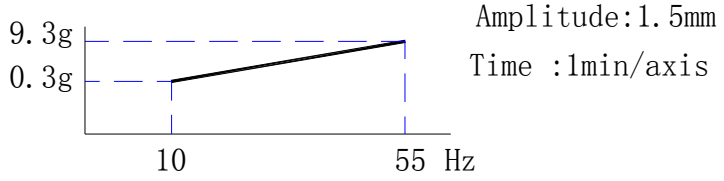
1. Externally driven piezo buzzer with wire Electrical Specification:

PART NO:L-KLS3-LPT-23*4.6

Item	Unit	Specifications	
1-1	Rated Voltage (Square Wave)	Vp-p	12
1-2	Operating Voltage	Vp-p	3-30
1-3	* Rated Current (Max)	mA	5
1-4	* Min Sound Output at 4.0kHz/10cm	dB	80
1-5	* Resonant Frequency	Hz	4000±500
1-6	Capacitance at 120Hz	pF	24000±30%
1-7	Operating Temperature	°C	-20~+60
1-8	Storage Temperature	°C	-30~+70
1-9	Weight	g	2
1-10	Housing Material		Black ABS
1-11	Lead Wire		UL1095 AWG28
1-12	Tone Nature		Single

* Value Applying at Rated Voltage (resonant frequency, 1/2 duty, square wave)

2. ENVIRONMENTAL TEST

Item	Specifications
2-1	Storage in High temp. Storage in +70°C ±2°C test box for 240 hours, then expose to the room temperature for 2 hours without applying power.
2-2	Storage in Lower temp. Storage in -30°C ±2°C test box for 240 hours, then expose to the room temperature for 2 hours without applying power.
2-3	Storage in Humidity Storage in +40°C ±2°C 90-95%RH test box for 96 hours, then expose to the room temperature for 2 hours without applying power.
2-4	Thermal cycle test.  <p>Make this test for 5 cycles without applying power, then expose to the room temperature for 2 hours.</p>
2-5	Vibration test  <p>Amplitude: 1.5mm Time : 1min/axis</p> <p>Make this test for the directions of X, Y, Z for 2 hours each (total 6 hours).</p>
2-6	Drop test Free drop a unit from the height 100cm to the surface of 10mm thick board, three directions(X, Y, Z).
2-7	Solderability test Soldering temp.: 260±5°C Heat applying time: 3±0.5sec.

PASS CRITERION :

After these tests, the change of S.P.L shall be within ±5 dB.



NingBo KLS ELECTRONIC CO., LTD.

3.MEASURING METHOD(BUZZER MODE)

3-1 .Test Condition

3-1-1.STANDARD

Temperature : $25 \pm 3^{\circ}\text{C}$

Relative humidity : 60% ~ 70%,

Atmospheric pressure : 860mbar to 1060mbar

3-1-2.JUDGEMENT

Temperature : 15 ~ 35°C

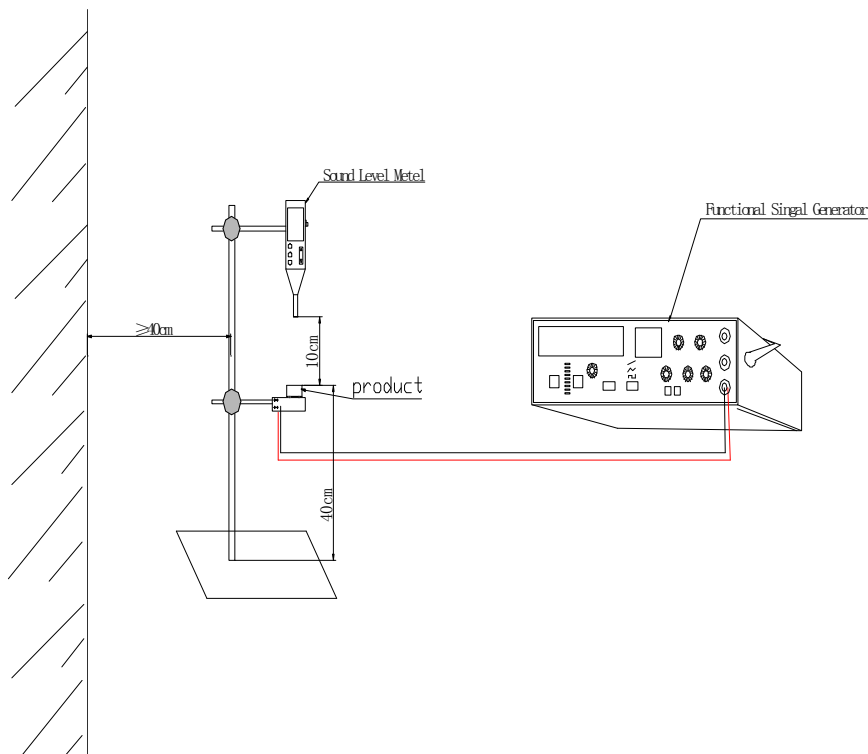
Relative humidity : 45% ~ 85%,

Atmospheric pressure : 860mbar to 1060mbar.

3-2 . Standard Test Fixture

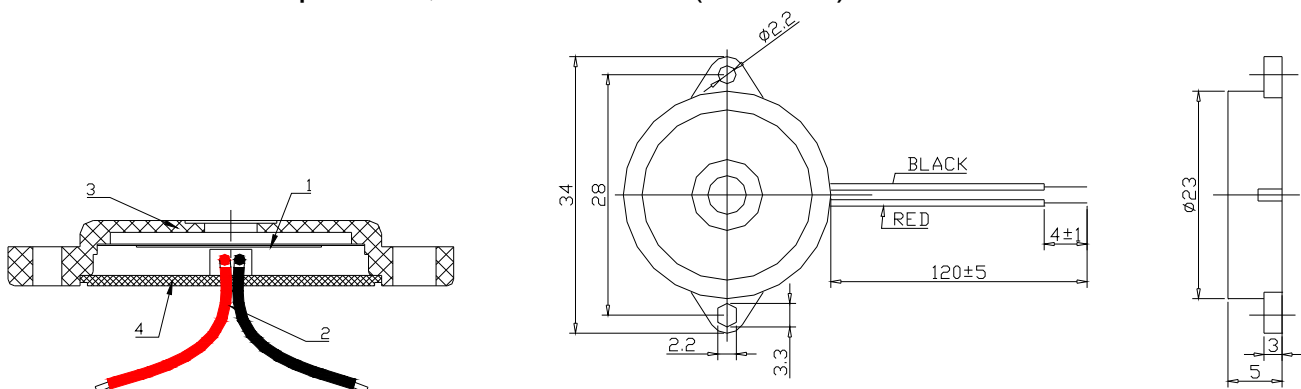
1.rated Voltage(Square wave):12V

2.Resonant Frequency:4000Hz



4.DIMENSIONS

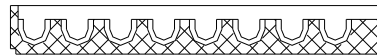
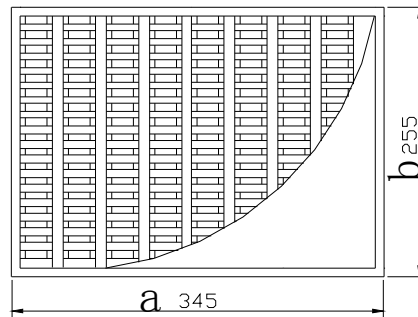
Unless otherwise specified,tolerance: ± 0.5 (unit:mm)



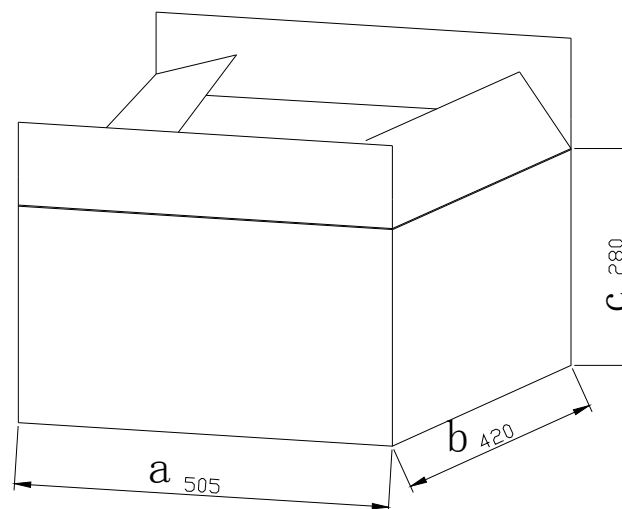
- 1) All parts must be meet to ROHS.
- 2) Wave solder and wash not allowed.

7				
6				
5				
4	Cover	1	Black ABS	
3	Housing	1	Black ABS	
2	Lead wire	2	Black&Red (UL1095 28#)	
1	Piezo element	1	Brass	
Part No.	Part Name	Q'TY	Material	Remark

5.PACKING



200PCS/box 每盒放200只



2400PCS/CTN 每箱放2400只