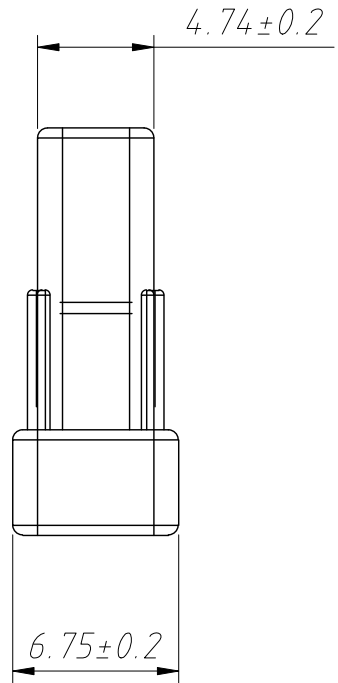
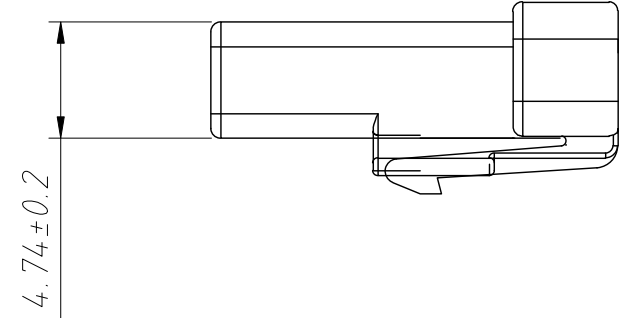
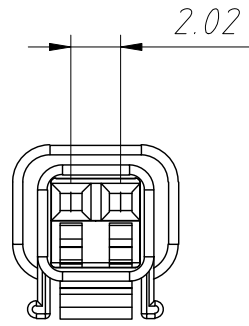


1
RoHS Compliance



Technical Requirement:

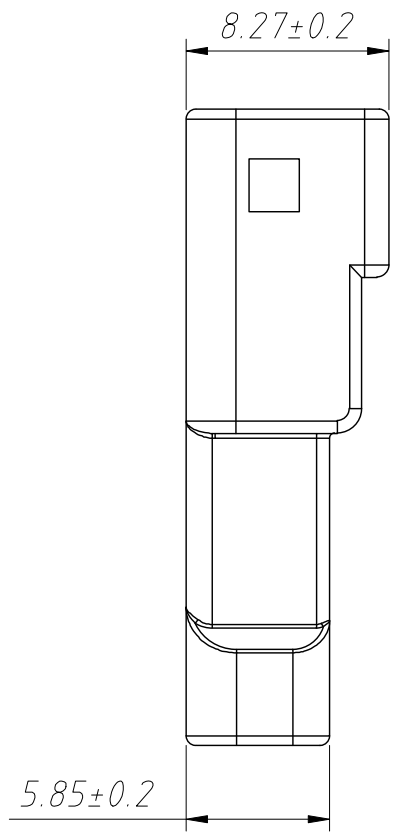
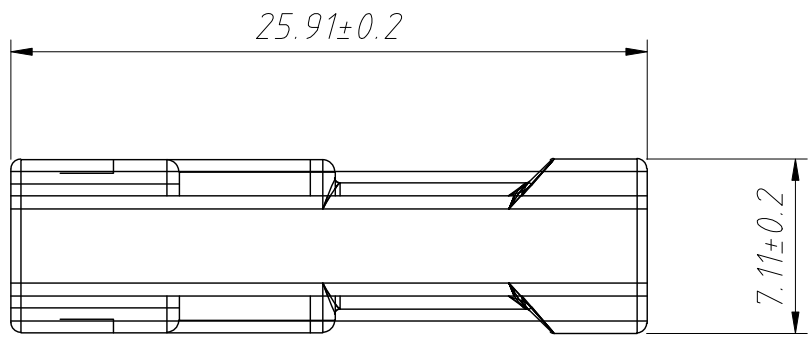
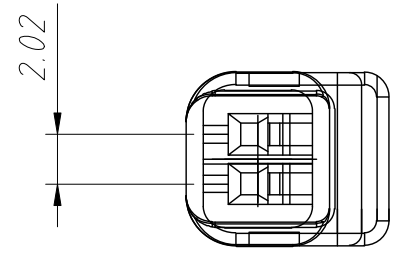
1. Appearance requirements: no stripes, smooth surface, no black bar, no burning, no luster, no color difference, no bubbles, no foreign matter, no burr flying edge and other undesirable phenomena.
2. Smooth installation of terminal and plastic, Unmated Force 4.0N Min.
3. Unspecified tolerance: GB/T 14486-2008-MT5
4. Undeclared R angle: R=0.3mm
5. Material: PBT GF15%, White

Order Information:

L-KLS13-JW-02-FH
 L: RoHS
 Serial No.
 No. of 02~08 pins
 Type:
 FH-Female Housing
 MH-Male Housing

ANGLE TOLERANCE	PROJECTION	Description:	Automotive Connectors	
±3°				
GENERAL TOLERANCE	UNITS	mm	KLS P/N:	L-KLS13-JW-02-FH
x.x ±0.30	SHEET SIZE	A4		
x.xx ±0.20	Draw:	Daniel	2022-06-15	NingBo KLS ELECTRONIC CO.,L TD.
x.xxx ±0.10	Check:	Daniel	2022-06-15	

1
RoHS Compliance



Technical Requirement:

1. Appearance requirements: no stripes, smooth surface, no black bar, no burning, no luster, no color difference, no bubbles, no foreign matter, no burr flying edge and other undesirable phenomena.
2. Smooth installation of terminal and plastic, Unmated Force 4.0N Min.
3. Unspecified tolerance: GB/T 14486-2008-MT5
4. Undeclared R angle: R=0.3mm
5. Material: PBT GF15%, White

Order Information:

L-KLS13-JW-02-MH

L: RoHS

Serial No. _____

No. of 02~08 pins _____

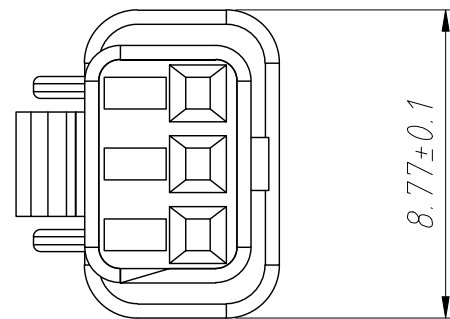
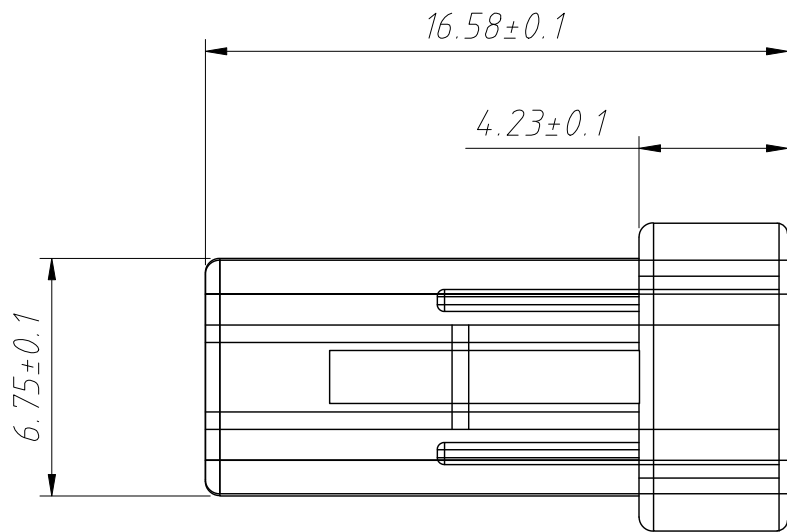
Type: _____

FH-Female Housing

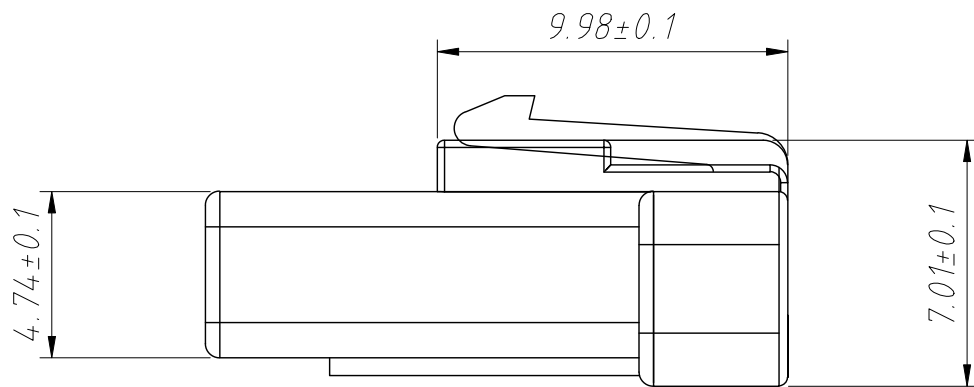
MH-Male Housing

ANGLE TOLERANCE	PROJECTION	Description:	Automotive Connectors	
±3°				
GENERAL TOLERANCE	UNITS	mm	KLS P/N:	L-KLS13-JW-02-MH
x.x ±0.30	SHEET SIZE	A4		
x.xx ±0.20	Draw:	Daniel	2022-06-15	NingBo KLS ELECTRONIC CO.,LTD.
x.xxx ±0.10	Check:	Daniel	2022-06-15	

1
RoHS Compliance



Order Information:
 L-KLS13-JW-03-FH
 L: RoHS
 Serial No.
 No. of 02 08 pins
 Type:
 FH-Female Housing
 MH-Male Housing

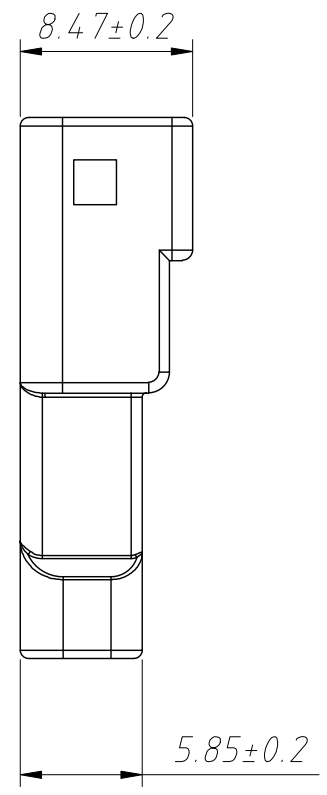
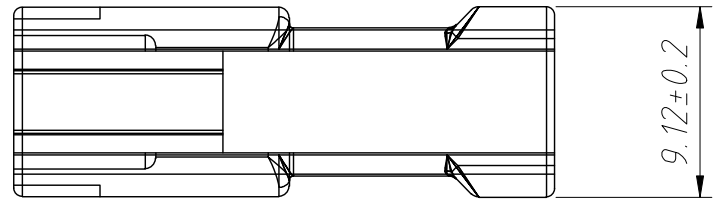
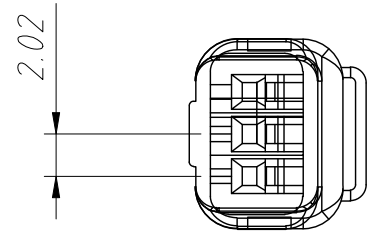


Technical Requirement:

1. Appearance requirements: no stripes, smooth surface, no black bar, no burning, no luster, no color difference, no bubbles, no foreign matter, no burr flying edge and other undesirable phenomena.
2. Smooth installation of terminal and plastic, Unmated Force 40N Min.
3. Unspecified tolerance: GB/T 14486-2008-MT5
4. Undeclared R angle: R=0.3mm
5. Material: PPT, White

ANGLE TOLERANCE	PROJECTION	Description:	Automotive Connectors	
±3°				
GENERAL TOLERANCE	UNITS	mm	KLS P/N:	L-KLS13-JW-03-FH
x.x ±0.30	SHEET SIZE	A4		
x.xx ±0.20	Draw:	Daniel	2022-06-15	NingBo KLS ELECTRONIC CO.,L TD.
x.xxx ±0.10	Check:	Daniel	2022-06-15	

1
RoHS Compliance

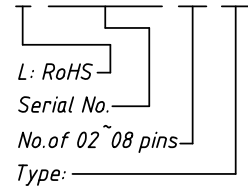


Technical Requirement:

- 1.Appearance requirements: no stripes, smooth surface, no black bar, no burning, no luster, no color difference, no bubbles, no foreign matter, no burr flying edge and other undesirable phenomena.
- 2.Smooth installation of terminal and plastic, Unmated Force 40N Min.
- 3.Unspecified tolerance:GB/T 14486-2008-MT5
- 4.Undeclared R angle:R=0.3mm
- 5.Material:PBT GF15%,White

Order Information:

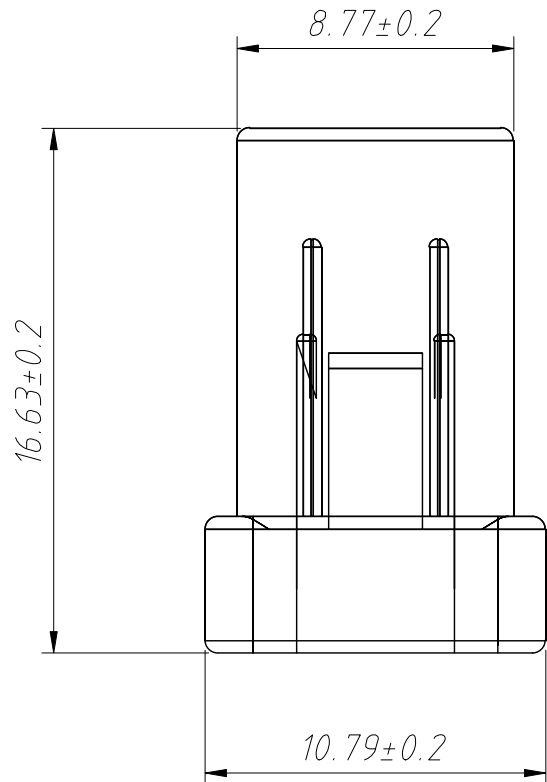
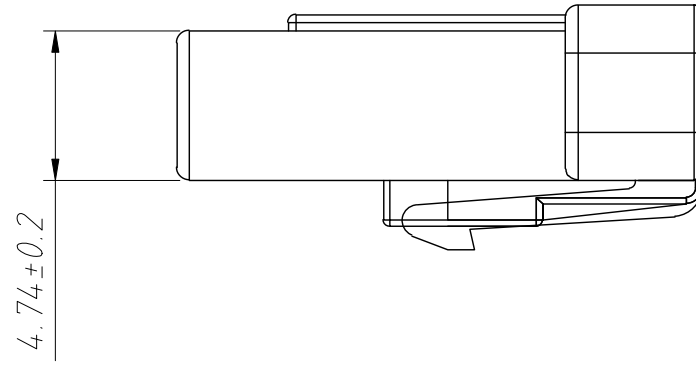
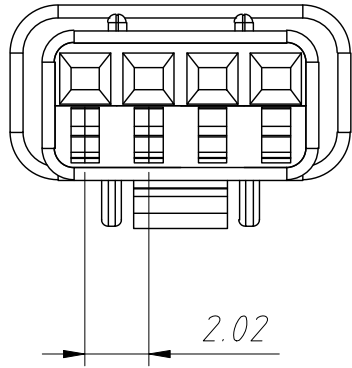
L-KLS13-JW-03-MH



FH-Female Housing
MH-Male Housing

ANGLE TOLERANCE	PROJECTION	Description:	Automotive Connectors	
±3°				
GENERAL TOLERANCE	UNITS	mm	KLS P/N:	L-KLS13-JW-03-MH
x.x ±0.30	SHEET SIZE	A4		
x.xx ±0.20	Draw:	Daniel	2022-06-15	NingBo KLS ELECTRONIC CO.,LTD.
x.xxx ±0.10	Check:	Daniel	2022-06-15	

1 RoHS Compliance



Technical Requirement:

1. Appearance requirements: no stripes, smooth surface, no black bar, no burning, no luster, no color difference, no bubbles, no foreign matter, no burr flying edge and other undesirable phenomena.
2. Smooth installation of terminal and plastic, Unmated Force 40N Min.
3. Unspecified tolerance: GB/T 14486-2008-MT5
4. Undeclared R angle: R=0.3mm
5. Material: PBT GF15% ,White

Order Information:

L-KLS13-JW-04-FH

L: RoHS

Serial No.

No. of 02~08 pins

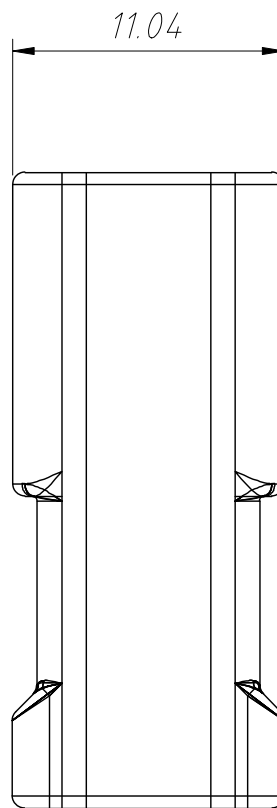
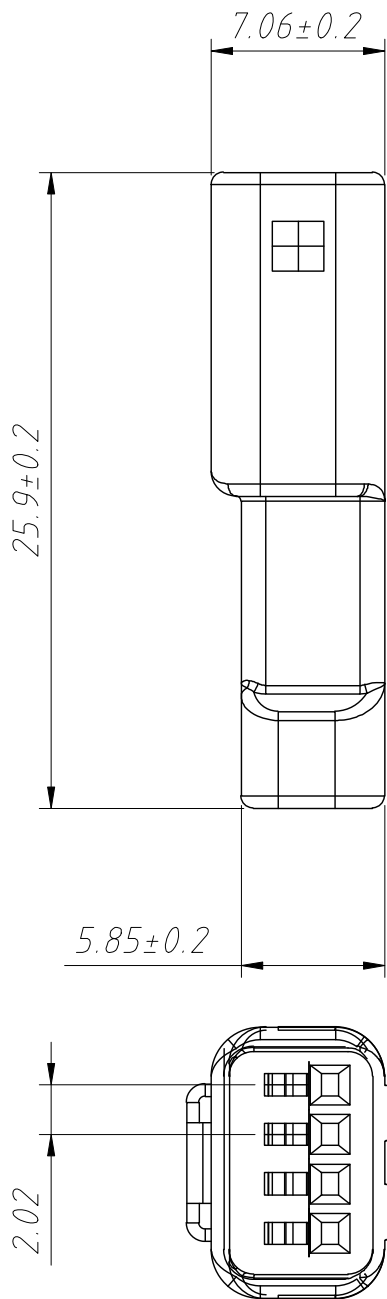
Type:

FH-Female Housing

MH-Male Housing

ANGLE TOLERANCE	PROJECTION		Description:	
±3°			Automotive Connectors	
GENERAL TOLERANCE	UNITS	mm	KLS P/N:	L-KLS13-JW-04-FH
x.x ±0.30	SHEET SIZE	A4	NingBo KLS ELECTRONIC CO.,LTD.	
x.xx ±0.20	Draw:	Daniel		2022-06-15
x.xxx ±0.10	Check:	Daniel		2022-06-15

1 RoHS Compliance



Technical Requirement:

1. Appearance requirements: no stripes, no surface, no black bar, no burning, no luster, no color difference, no bubbles, no foreign matter, no burr flying edge and other undesirable phenomena.
2. Smooth installation of terminal and plastic, Unmated Force 40N Min.
3. Unspecified tolerance: GB/T 14486-2008-MT5
4. Undeclared R angle: R=0.3mm
5. Material: PBT GF15%, White

Order Information:

L-KLS13-JW-04-MH

L: RoHS

Serial No.

No. of 02 ~ 08 pins

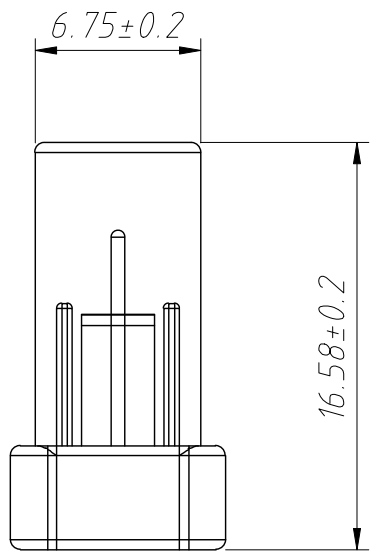
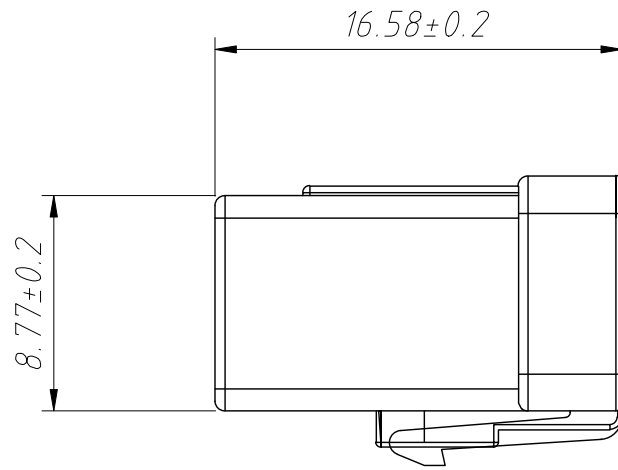
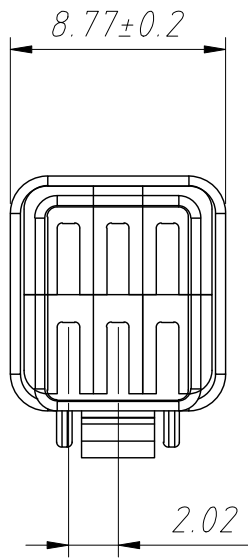
Type:

FH-Female Housing

MH-Male Housing

ANGLE TOLERANCE	PROJECTION		Description:	Automotive Connectors
±3°				
GENERAL TOLERANCE	UNITS	mm	KLS P/N:	L-KLS13-JW-04-MH
x.x ±0.30	SHEET SIZE	A4		NingBo KLS ELECTRONIC CO.,LTD.
x.xx ±0.20	Draw:	Daniel	2022-06-15	
x.xxx ±0.10	Check:	Daniel	2022-06-15	

1
RoHS Compliance



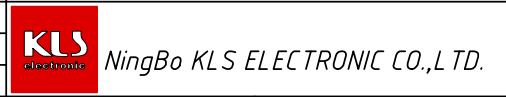
Technical Requirement:

1. Appearance requirements: no stripes, smooth surface, no black bar, no burning, no luster, no color difference, no bubbles, no foreign matter, no burr flying edge and other undesirable phenomena.
2. Smooth installation of terminal and plastic, Unmated Force 40N Min.
3. Unspecified tolerance: GB/T 14486-2008-MT5
4. Undeclared R angle: R=0.3mm
5. Material: PBT GF15% ,White

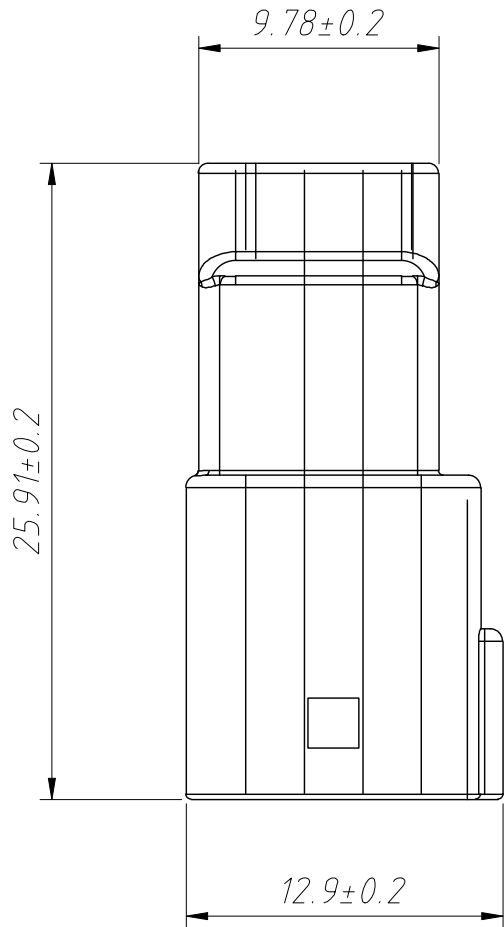
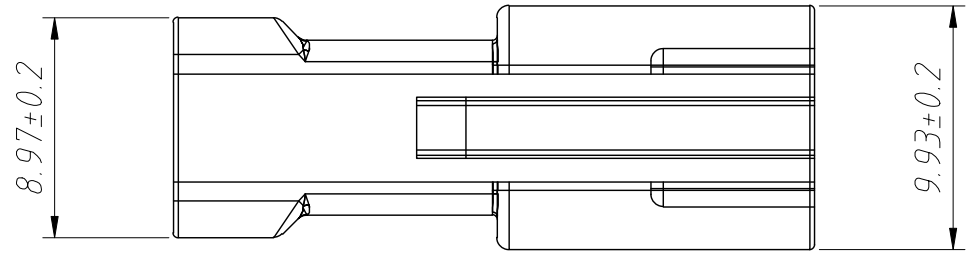
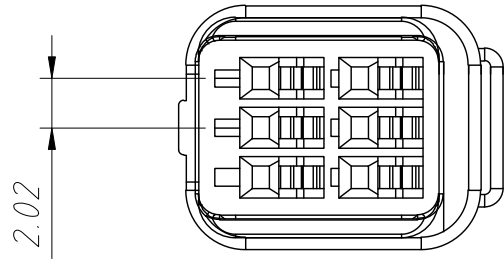
Order Information:

L-KLS13-JW-06-FH
 L: RoHS
 Serial No.
 No. of 02~08 pins
 Type:
 FH-Female Housing
 MH-Male Housing

ANGLE TOLERANCE	PROJECTION	Description:	
±3°		Automotive Connectors	
GENERAL TOLERANCE	UNITS	mm	KLS P/N:
x.x ±0.30	SHEET SIZE	A4	L-KLS13-JW-06-FH
x.xx ±0.20	Draw:	Daniel	2022-06-15
x.xxx ±0.10	Check:	Daniel	2022-06-15



1 RoHS Compliance

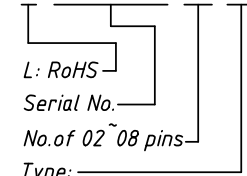


Technical Requirement:

1. Appearance requirements: no stripes, no surface, no black bar, no burning, no luster, no color difference, no bubbles, no foreign matter, no burr flying edge and other undesirable phenomena.
2. Smooth installation of terminal and plastic, Unmated Force 40N Min.
3. Unspecified tolerance: GB/T 14486-2008-MT5
4. Undeclared R angle: R=0.3mm
5. Material: PBT GF15%, White

Order Information:

L-KLS13-JW-06-MH



L: RoHS

Serial No.

No. of 02~08 pins

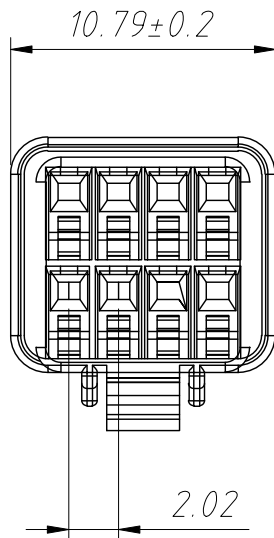
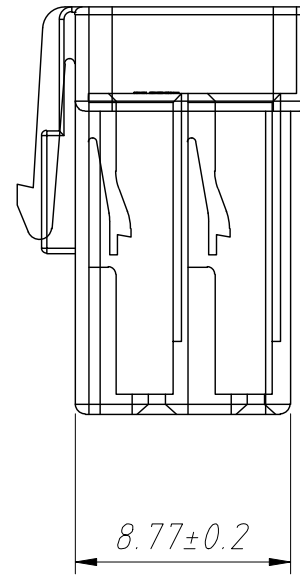
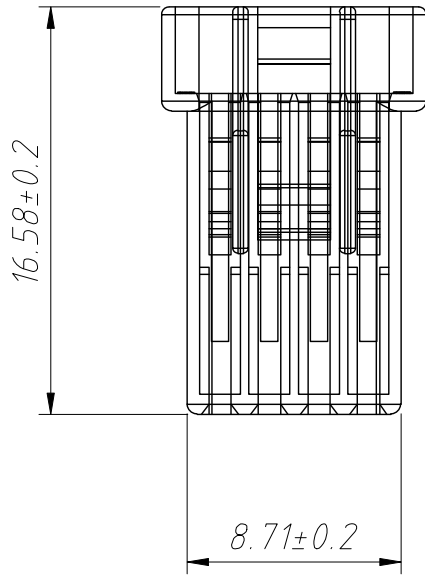
Type:

FH-Female Housing

MH-Male Housing

ANGLE TOLERANCE	PROJECTION	Description:	Automotive Connectors	
±3°				
GENERAL TOLERANCE	UNITS	mm	KLS P/N:	L-KLS13-JW-06-MH
x.x ±0.30	SHEET SIZE	A4		
x.xx ±0.20	Draw:	Daniel	2022-06-15	NingBo KLS ELECTRONIC CO.,LTD.
x.xxx ±0.10	Check:	Daniel	2022-06-15	

1
RoHS Compliance



Technical Requirement:

1. Appearance requirements: no stripes, smooth surface, no black bar, no burning, no luster, no color difference, no bubbles, no foreign matter, no burr flying edge and other undesirable phenomena.
2. Smooth installation of terminal and plastic, Unmated Force 40N Min.
3. Unspecified tolerance: GB/T 14486-2008-MT5
4. Undeclared R angle: R=0.3mm
5. Material: PBT GF15%, White

Order Information:

L-KLS13-JW-08-FH

L: RoHS

Serial No.

No. of 02~08 pins

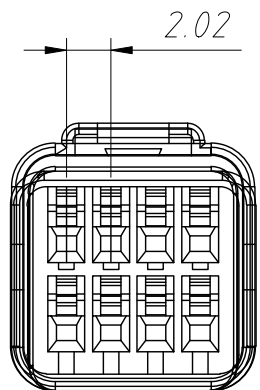
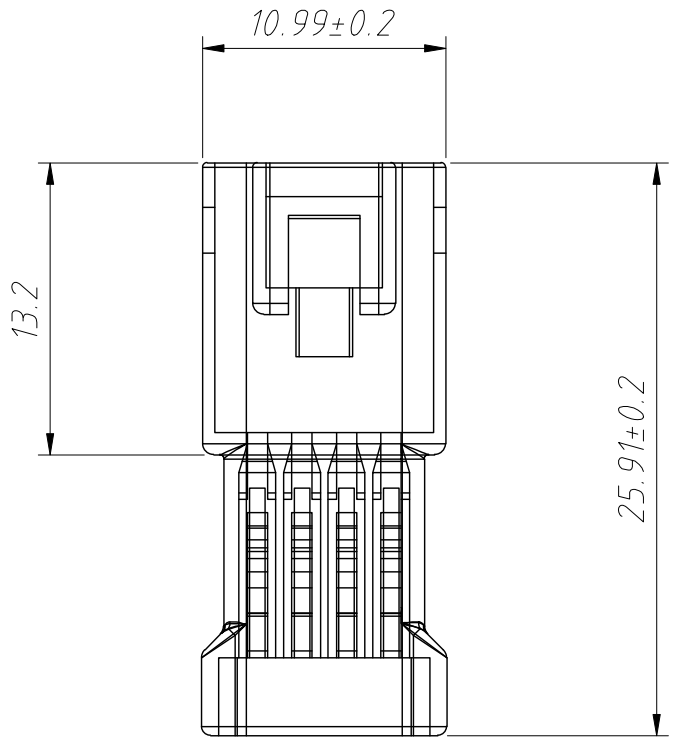
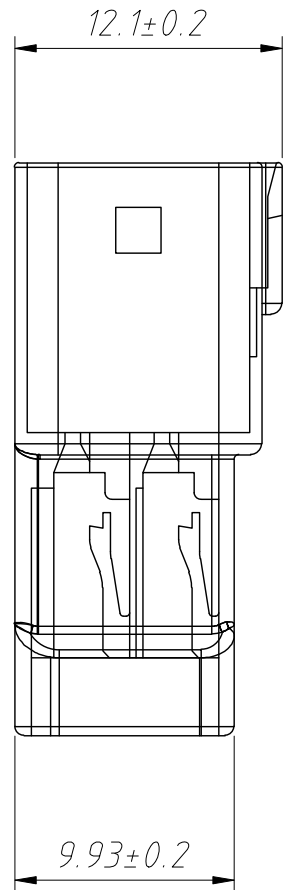
Type:

FH-Female Housing

MH-Male Housing

ANGLE TOLERANCE	PROJECTION	Description:	Automotive Connectors	
±3°				
GENERAL TOLERANCE	UNITS	mm	KLS P/N:	L-KLS13-JW-08-FH
x.x ±0.30	SHEET SIZE	A4		
x.xx ±0.20	Draw:	Daniel	2022-06-15	NingBo KLS ELECTRONIC CO.,LTD.
x.xxx ±0.10	Check:	Daniel	2022-06-15	

1
RoHS Compliance



Technical Requirement:
 1. Appearance requirements: no stripes, no surface, no black bar, no burning, no luster, no color difference, no bubbles, no foreign matter, no burr flying edge and other undesirable phenomena.
 2. Smooth installation of terminal and plastic, Unmated Force 40N Min.
 3. Unspecified tolerance: GB/T 14486-2008-MT5
 4. Undeclared R angle: R=0.3mm
 5. Material: PBT GF15%, White

Order Information:
 L-KLS13-JW-08-MH
 L: RoHS
 Serial No. _____
 No. of 02~08 pins _____
 Type: _____
 FH-Female Housing
 MH-Male Housing

ANGLE TOLERANCE	PROJECTION	Description:	Automotive Connectors	
±3°				
GENERAL TOLERANCE	UNITS	mm	KLS P/N:	L-KLS13-JW-08-MH
x.x ±0.30	SHEET SIZE	A4		
x.xx ±0.20	Draw:	Daniel	2022-06-15	NingBo KLS ELECTRONIC CO.,L.TD.
x.xxx ±0.10	Check:	Daniel	2022-06-15	