

Note

1-100% Testes.No Short at Break Clrcult

2-Storage condition:

Temp:15°C~25°C

Humidity:30~60RH%

3-Conductor : 0.035×0.65mm

4-Supporting Tapc: 0.225mm PET,BLUE

5-Insulation: 0.043mm PET,White

Order Information

L-KLS17-FFC-1.0-XXP-LXXX A 4/8

L: RoHS

1.0: Pitch 1.0mm

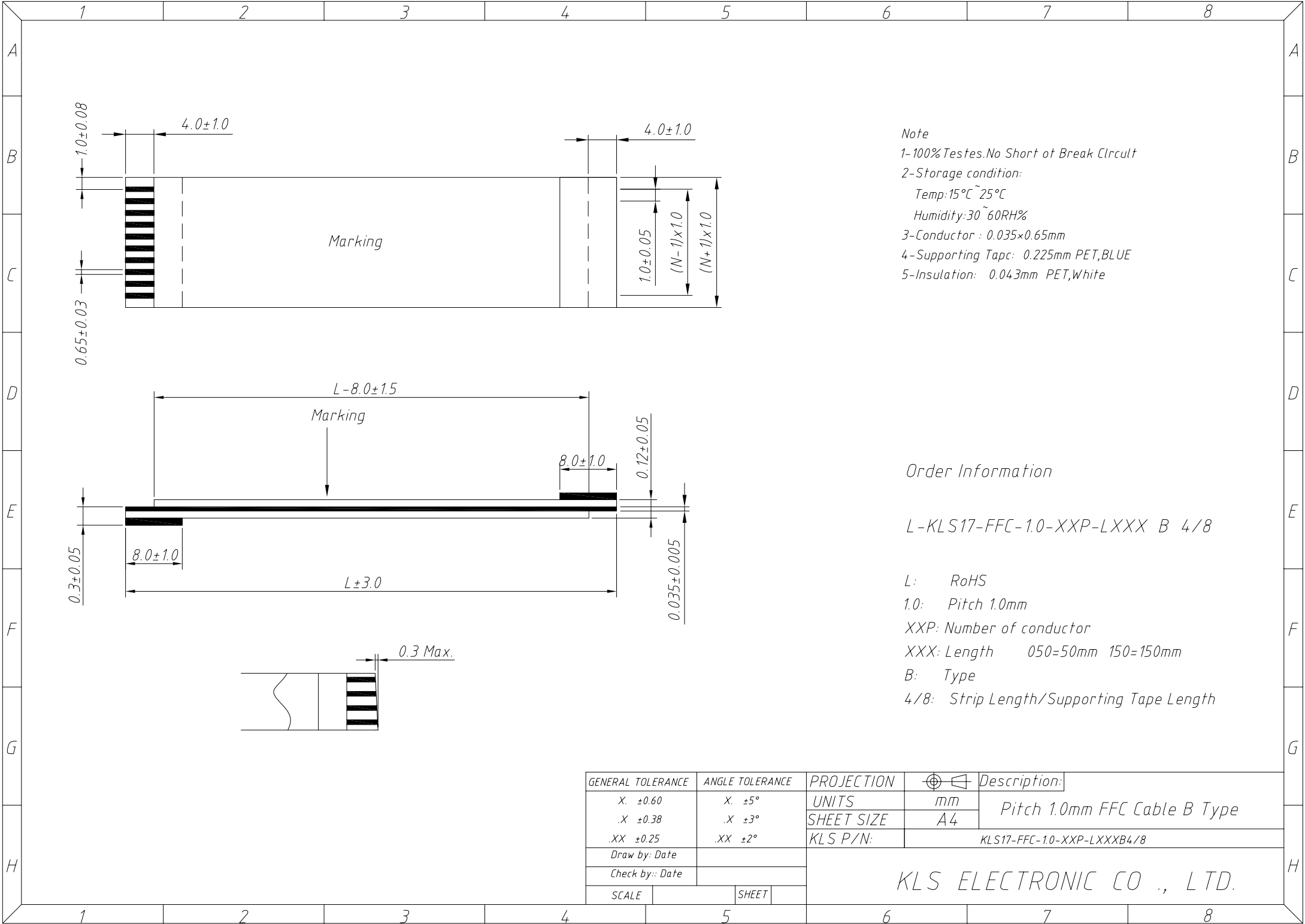
XXP: Number of conductor

XXX: Length 050=50mm 150=150mm

A: Type

4/8: Strip Length/Supporting Tape Length

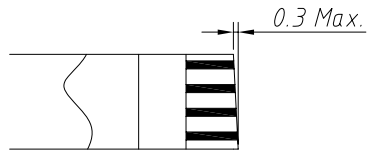
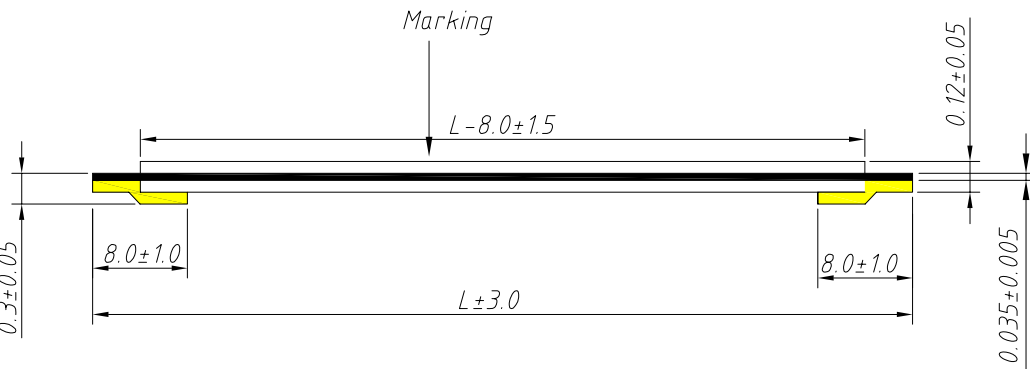
GENERAL TOLERANCE		ANGLE TOLERANCE		PROJECTION	Description:
X. ±0.60	.X ±0.38	X. ±5°	.X ±3°	UNITS	
.XX ±0.25		.XX ±2°		SHEET SIZE	A4
Draw by: Date				KLS P/N: KLS17-FFC-1.0-XXP-LXXXA4/8	
Check by: Date					
SCALE		SHEET		KLS ELECTRONIC CO., LTD.	



Note
 1-100% Testes.No Short at Break Circult
 2-Storage condition:
 Temp:15°C~25°C
 Humidity:30~60RH%
 3-Conductor : 0.035×0.65mm
 4-Supporting Tapc: 0.225mm PET,BLUE
 5-Insulation: 0.043mm PET,White

Order Information
 L-KLS17-FFC-1.0-XXP-LXXX B 4/8
 L: RoHS
 1.0: Pitch 1.0mm
 XXP: Number of conductor
 XXX: Length 050=50mm 150=150mm
 B: Type
 4/8: Strip Length/Supporting Tape Length

GENERAL TOLERANCE	ANGLE TOLERANCE	PROJECTION	Description: Pitch 1.0mm FFC Cable B Type
.X ±0.60	.X ±5°	UNITS mm	
.X ±0.38	.X ±3°	SHEET SIZE A4	KLS P/N: KLS17-FFC-1.0-XXP-LXXXB4/8
.XX ±0.25	.XX ±2°		
Draw by: Date		KLS ELECTRONIC CO., LTD.	
Check by: Date			
SCALE	SHEET		



Note

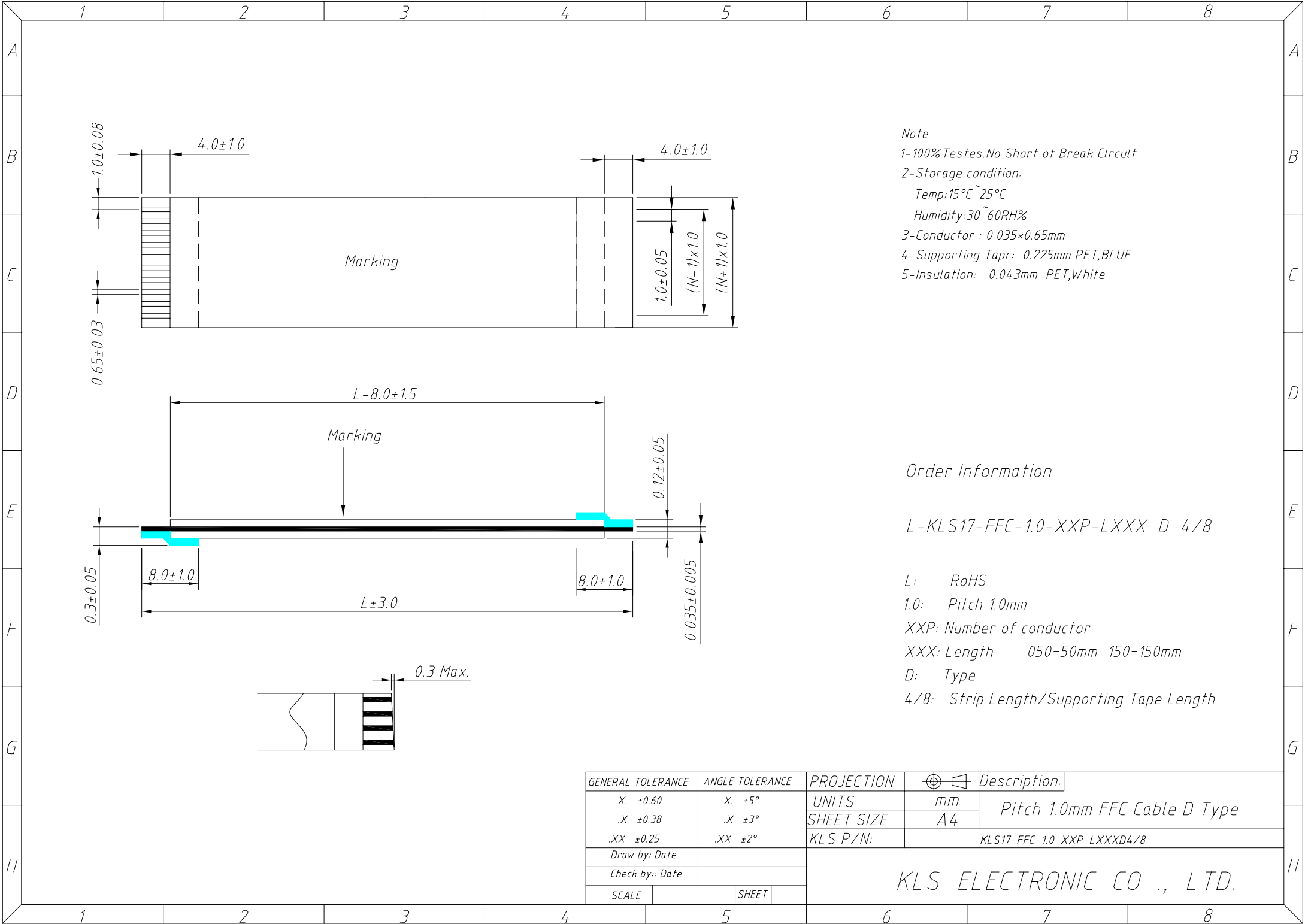
- 1-100% Testes.No Short at Break Clrcult
- 2-Storage condition:
Temp:15°C~25°C
Humidity:30~60RH%
- 3-Conductor : 0.035×0.65mm
- 4-Supporting Tapc: 0.225mm PET,BLUE
- 5-Insulation: 0.043mm PET,White

Order Information

L-KLS17-FFC-1.0-XXP-LXXX C 4/8

- L: RoHS
- 1.0: Pitch 1.0mm
- XXP: Number of conductor
- XXX: Length 050=50mm 150=150mm
- C: Type
- 4/8: Strip Length/Supporting Tape Length

GENERAL TOLERANCE		ANGLE TOLERANCE		PROJECTION	Description:
X. ±0.60	.X ±0.38	X. ±5°	.X ±3°	UNITS	
.XX ±0.25		.XX ±2°		SHEET SIZE	A4
Draw by: Date				KLS P/N:	
Check by: Date				KLS17-FFC-1.0-XXP-LXXXC4/8	
SCALE		SHEET		KLS ELECTRONIC CO., LTD.	



Note
 1-100% Testes.No Short at Break Clrcult
 2-Storage condition:
 Temp:15°C~25°C
 Humidity:30~60RH%
 3-Conductor : 0.035×0.65mm
 4-Supporting Tapc: 0.225mm PET,BLUE
 5-Insulation: 0.043mm PET,White

Order Information
 L-KLS17-FFC-1.0-XXP-LXXX D 4/8
 L: RoHS
 1.0: Pitch 1.0mm
 XXP: Number of conductor
 XXX: Length 050=50mm 150=150mm
 D: Type
 4/8: Strip Length/Supporting Tape Length

GENERAL TOLERANCE	ANGLE TOLERANCE	PROJECTION	Description:
.X ±0.60	.X ±5°	UNITS	
.X ±0.38	.X ±3°	SHEET SIZE	A4
.XX ±0.25	.XX ±2°	KLS P/N:	KLS17-FFC-1.0-XXP-LXXXD4/8

Draw by: Date
 Check by: Date
 SCALE SHEET
 KLS ELECTRONIC CO., LTD.