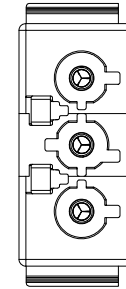
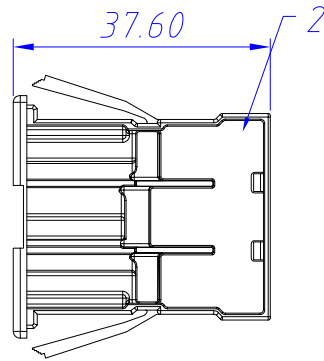
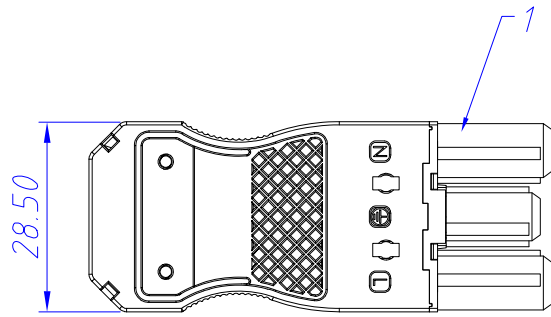


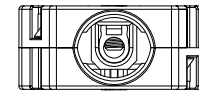
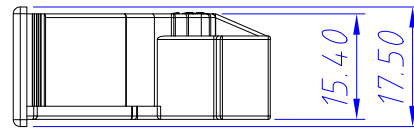
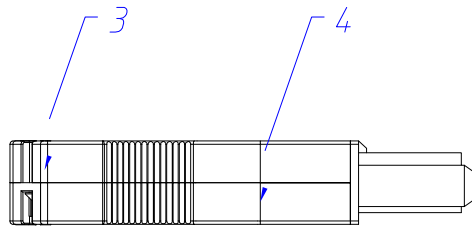
RoHS Compliance



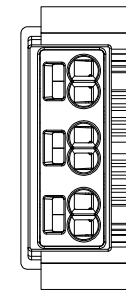
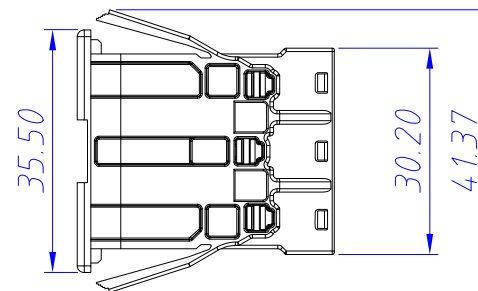
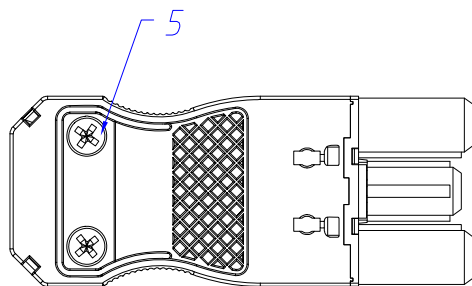
Electrical :
 Rated Voltage: 250V (IEC/EN)/600V(UL)
 Rated Current: 16A
 Cross Section(IEC EN/UL)
 Solid conductor: 0.75-2.5mm² /14-18AWG
 Stranded conductor: 0.75-2.5mm² /14-18AWG
 Flexible conductor: 0.75-2.5mm² /14-18AWG

Materials
 Insulation Materials: Polyamide 66,Black,UL 94V-2
 Contact: Brass,Nickel Plated
 Screw: M3, SteelZinc Plated

Number of poles: 3 poles
 Strip length : 7mm
 Protection Degree: IP30
 Operating Temperature: 90°C



| ITEM | PART NAME | UNIT | Q'TY |
|------|---------------------|------|------|
| 5 | M3 Screw | PCS | 2 |
| 4 | Top cover | PCS | 1 |
| 3 | Bottom cover | PCS | 1 |
| 2 | Male JACK Terminal | PCS | 1 |
| 1 | Female plugTerminal | PCS | 1 |



Order Information:

L-KLS2-3241-03P

L: RoHS
 Pluggable
 Connectors Type
 Poles:3 Poles

| ANGLE TOLERANCE | PROJECTION | Description: | |
|-------------------|------------|-------------------------------|-----------------|
| ±3° | | Pluggable lighting connectors | |
| GENERAL TOLERANCE | UNITS | mm | KLS P/N: |
| x.x ±0.30 | SHEET SIZE | A4 | L-KLS2-3241-03P |
| x.xx ±0.20 | Draw: | Daniel | 2022-05-15 |
| x.xxx ±0.10 | Check: | Daniel | 2022-05-15 |



NingBo KLS ELECTRONIC CO.,L TD.