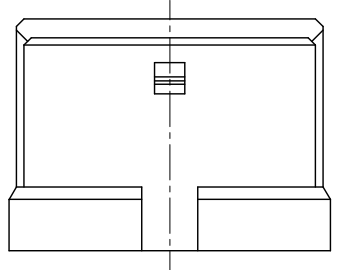
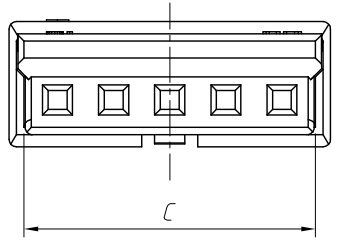


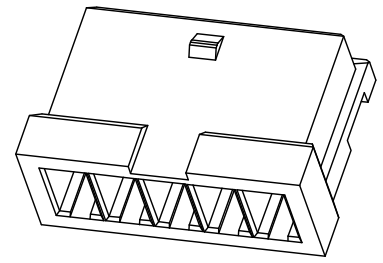
1
RoHS Compliance



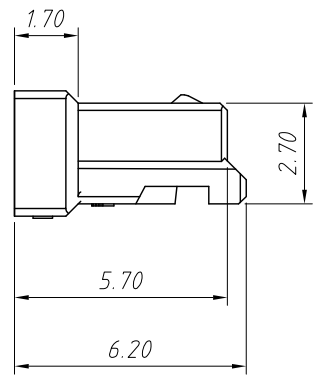
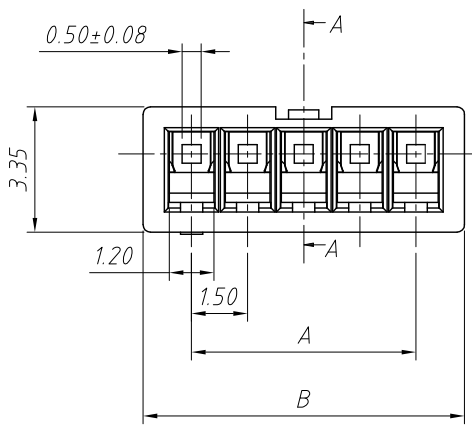
Material:
Housing:PA66 ,UL 94V-0

Electrical Characteristics:
Current rating:2.5A AC,DC
Voltage rating:250V AC,DC
Temperature range:-25°C ~ + 85°C
Insulation resistance:1000MΩ/Min.
Withstanding voltage:500V AC/minute
Contact resistance:20mΩ/Max.

Pin	Dimensions(mm)		
	A	B	C
02	1.50	4.10	3.30
03	3.00	5.60	4.80
04	4.50	7.10	6.30
05	6.00	8.60	7.80
06	7.50	10.10	9.30
07	9.00	11.60	10.80
08	10.50	13.10	12.30
09	12.00	14.60	13.80
10	13.50	16.10	15.30
11	15.00	17.60	16.80
12	16.50	19.10	18.30
13	18.00	20.60	19.80
14	19.50	22.10	21.30
15	21.00	23.60	22.80



3D View



Order Information:
L-KLS1-XL2-1.50-XX-H

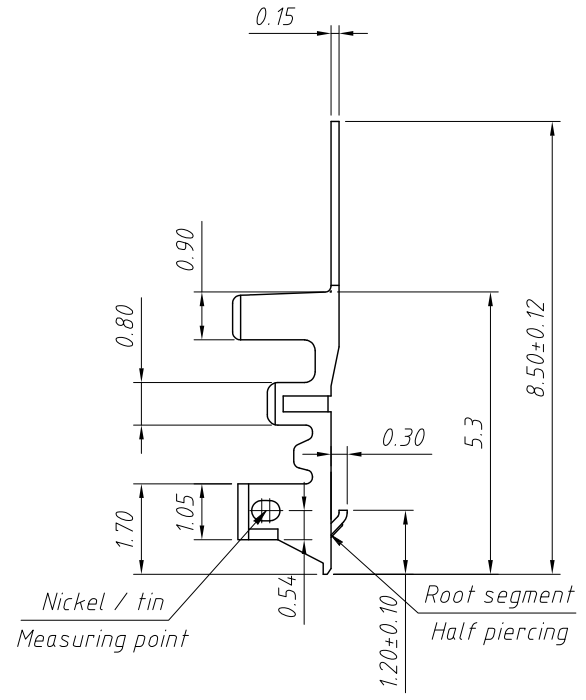
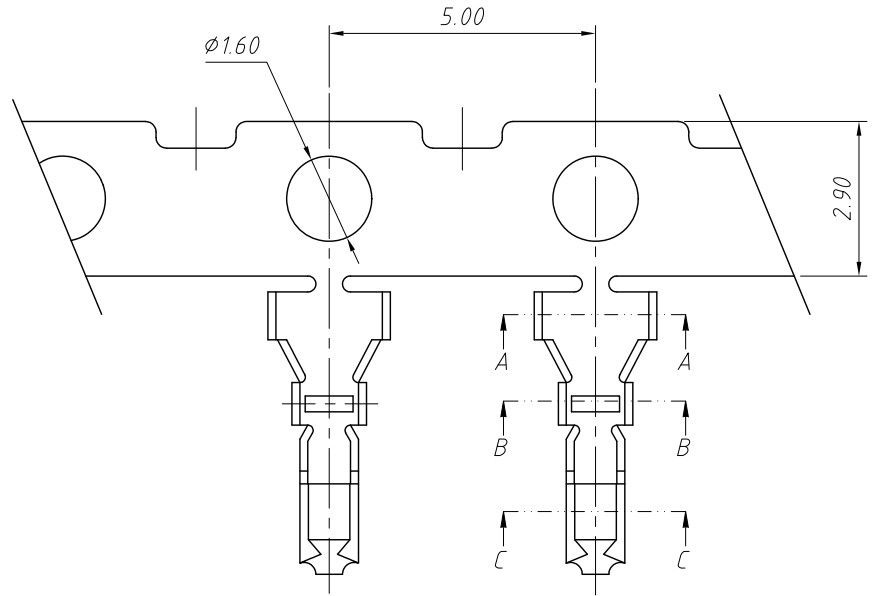
L: RoHS
Pitch:1.50mm
XX-No.of 02 ~ 15 pins
Type:
H-Hosing T-Terminal
VM-Vertical SMT Pin
RM-Horizontal SMT Pin

ANGLE TOLERANCE	PROJECTION	Description:	1.50mm Pitch 87439 87421 87437 Type Wire To Board Connector
±3°			
GENERAL TOLERANCE	UNITS	mm	KLS P/N: L-KLS1-XL2-1.50-XX-H
x.x ±0.30	SHEET SIZE	A4	
x.xx ±0.20	Draw:	Daniel	2020-11-11
x.xxx ±0.10	Check:	Daniel	2020-11-11



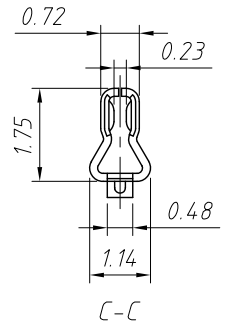
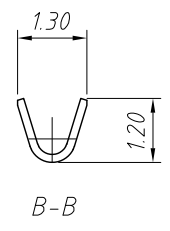
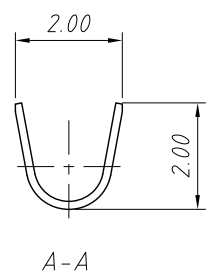
NingBo KLS ELECTRONIC CO.,L TD.

1
RoHS Compliance



Material:
 Terminal: Phosphor Bronze
 Plating: Tin plated over Nickel
 Applicable wires: AWG #24 ~ # 28
 Insulation O.D: 0.7-1.10mm Max
 Qty/reel: 10000 pcs

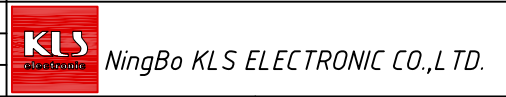
Electrical Characteristics:
 Current rating: 2.5A AC,DC
 Voltage rating: 250V AC,DC
 Temperature range: -25°C ~ + 85°C
 Insulation resistance: 1000MΩ/Min.
 Withstanding voltage: 500V AC/minute
 Contact resistance: 20mΩ/Max.



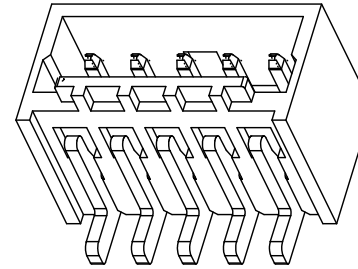
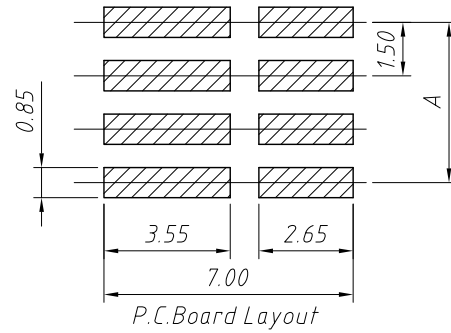
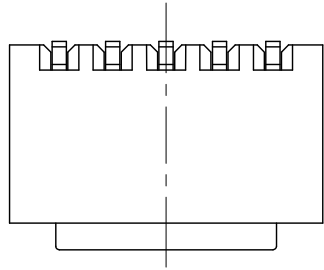
Order Information:
 L-KLS1-XL2-1.50-T

L: RoHS
 Pitch: 1.50mm
 Type:
 H-Hosing T-Terminal
 VM-Vertical SMT Pin
 RM-Horizontal SMT Pin

ANGLE TOLERANCE	PROJECTION	Description:	1.50mm Pitch 87439 87421
±3°			87437 Type Wire To Board Connector
GENERAL TOLERANCE	UNITS	mm	KLS P/N:
x.x ±0.30	SHEET SIZE	A4	L-KLS1-XL2-1.50-T
x.xx ±0.20	Draw:	Daniel	2020-11-11
x.xxx ±0.10	Check:	Daniel	2020-11-11

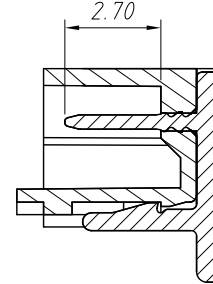
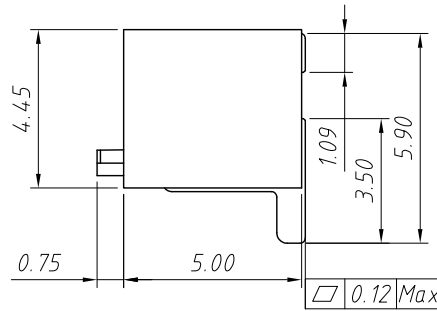
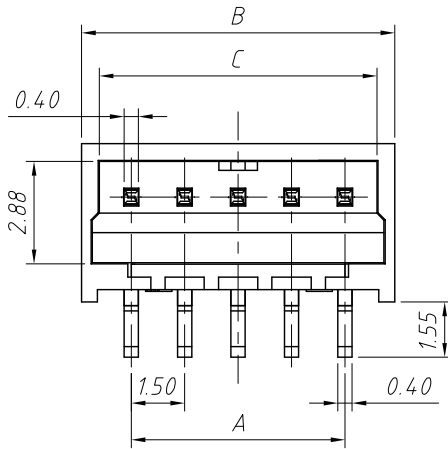


1 RoHS Compliance



3D View

Pin	Dimensions(mm)		
	A	B	C
02	1.50	4.30	3.35
03	3.00	5.80	4.85
04	4.50	7.30	6.35
05	6.00	8.80	7.85
06	7.50	10.30	9.35
07	9.00	11.80	10.85
08	10.50	13.30	12.35
09	12.00	14.80	13.85
10	13.50	16.30	15.35
11	15.00	17.80	16.85
12	16.50	19.30	18.35
13	18.00	20.80	19.85
14	19.50	22.30	21.35
15	21.00	23.80	22.85



Material:

Wafer:PA6T,UL94V-0

Contact:Brass

Plating: Tin plated over Nickel

Electrical Characteristics:

Current rating:2.5A AC,DC

Voltage rating:250V AC,DC

Temperature range:-25°C ~ + 85°C

Insulation resistance:1000MΩ/Min.

Withstanding voltage:500V AC/minute

Contact resistance:20mΩ/Max.

Order Information:

L-KLS1-XL2-1.50-XX-VM

L: RoHS

Pitch:1.50mm

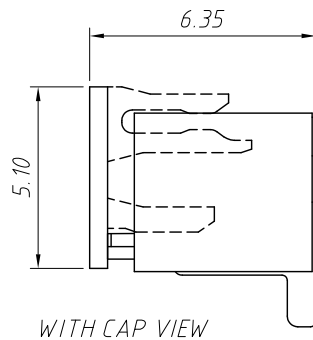
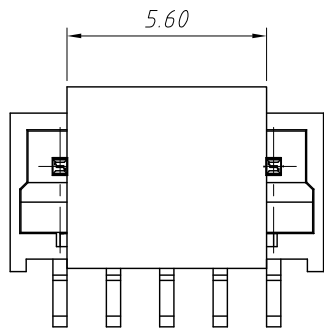
XX-No. of 02~15 pins

Type:

H-Hosing T-Terminal

VM-Vertical SMT Pin

RM-Horizontal SMT Pin

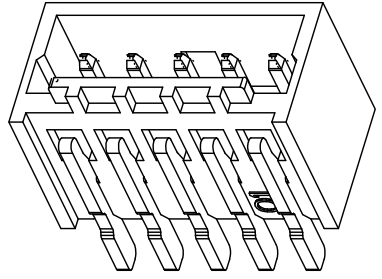
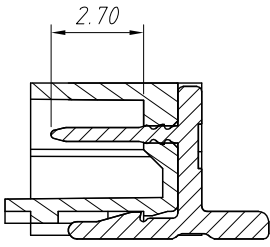
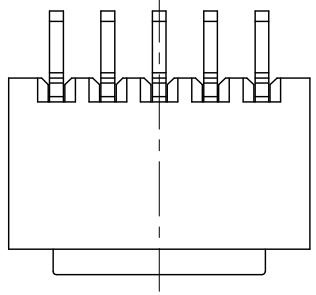


ANGLE TOLERANCE	PROJECTION	Description:
±3°		1.50mm Pitch 87439 87421 87437 Type Wire To Board Connector
GENERAL TOLERANCE	UNITS	mm
x.x ±0.30	SHEET SIZE	A4
x.xx ±0.20	Draw:	Daniel 2020-11-11
x.xxx ±0.10	Check:	Daniel 2020-11-11



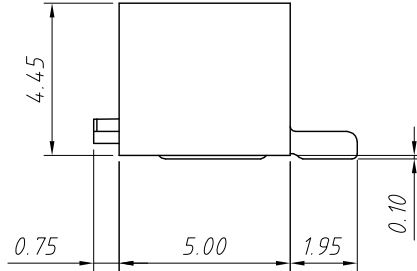
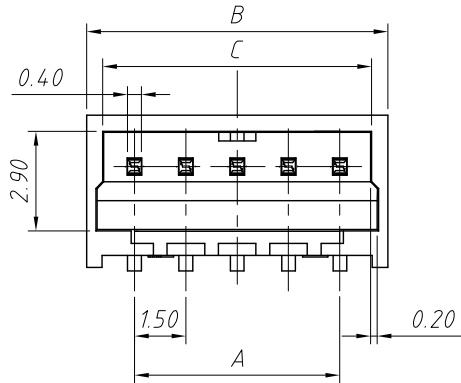
NingBo KLS ELECTRONIC CO.,LTD.

1
RoHS Compliance



3D View

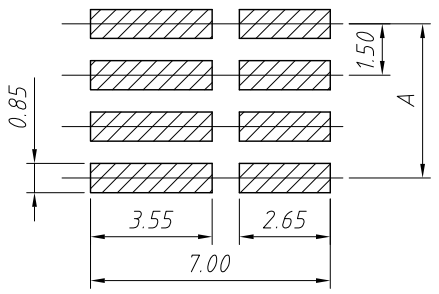
Pin	Dimensions(mm)		
	A	B	C
02	1.50	4.30	3.35
03	3.00	5.80	4.85
04	4.50	7.30	6.35
05	6.00	8.80	7.85
06	7.50	10.30	9.35
07	9.00	11.80	10.85
08	10.50	13.30	12.35
09	12.00	14.80	13.85
10	13.50	16.30	15.35
11	15.00	17.80	16.85
12	16.50	19.30	18.35
13	18.00	20.80	19.85
14	19.50	22.30	21.35
15	21.00	23.80	22.85



Material:
Wafer:PA6T,UL94V-0
Contact:Brass
Plating: Tin plated over Nickel

Electrical Characteristics:
Current rating:2.5A AC,DC
Voltage rating:250V AC,DC
Temperature range:-25°C ~ +85°C
Insulation resistance:1000MΩ/Min.
Withstanding voltage:500V AC/minute
Contact resistance:20mΩ/Max.

Order Information:
L-KLS1-XL2-1.50-XX-RM
L: RoHS
Pitch:1.50mm
XX-No. of 02~15 pins
Type:
H-Hosing T-Terminal
VM-Vertical SMT Pin
RM-Horizontal SMT Pin



P.C.Board Layout

ANGLE TOLERANCE	PROJECTION	Description:	1.50mm Pitch 87439 87421
±3°			87437 Type Wire To Board Connector
GENERAL TOLERANCE	UNITS	mm	KLS P/N:
x.x ±0.30	SHEET SIZE	A4	L-KLS1-XL2-1.50-XX-RM
x.xx ±0.20	Draw:	Daniel	2020-11-11
x.xxx ±0.10	Check:	Daniel	2020-11-11



NingBo KLS ELECTRONIC CO.,LTD.