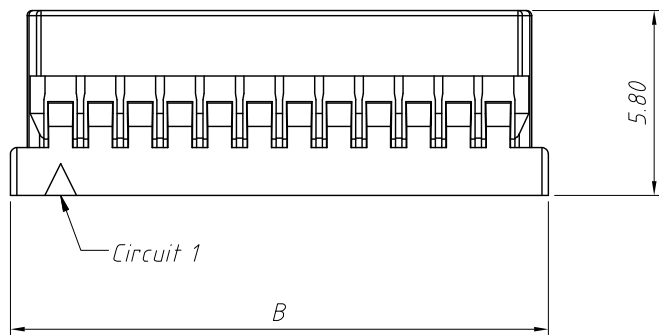
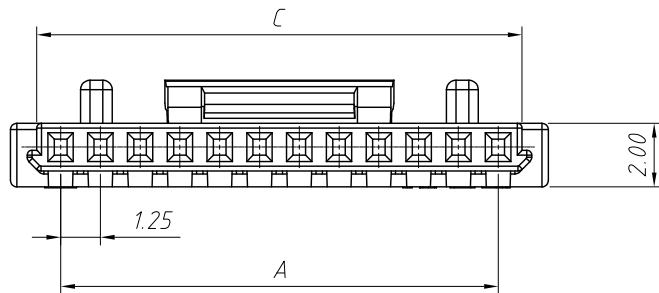
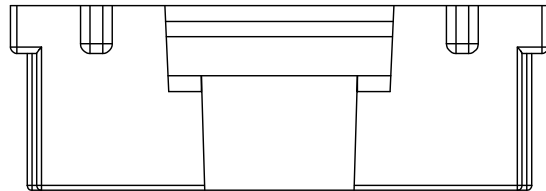
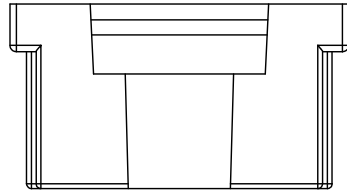


1 RoHS Compliance

2 02P~10P



Material:

Housing: PA66 ,UL94V-0

Color:Natural

Electrical Characteristics:

Current rating:1.0A AC,DC

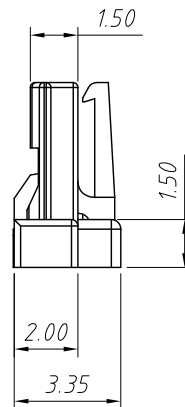
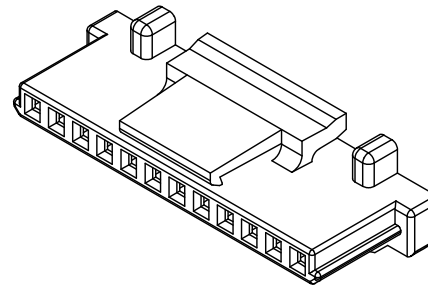
Voltage rating:150V AC,DC

Temperature range:-25°C ~ + 85°C

Insulationresistance:500MΩ/Min.

Withstanding voltage:500V AC/minute

Contact resistance:30mΩ/Max.



Pin	Dimensions(mm)		
	A	B	C
02	1.25	4.40	2.75
03	2.50	5.65	4.00
04	3.75	6.90	5.25
05	5.00	8.15	6.50
06	6.25	9.40	7.75
07	7.50	10.65	9.00
08	8.75	11.90	10.25
09	10.00	13.15	11.50
10	11.25	14.40	12.75
11	12.50	15.65	14.00
12	13.75	16.90	15.25
13	15.00	18.15	16.50
14	16.25	19.40	17.75
15	17.50	20.65	19.00
20	23.75	26.90	25.25
25	30.00	33.15	31.50
30	36.25	39.40	37.75

Order Information:

L-KLS1-XL7-1.25-XX-H1

L: RoHS

Pitch:1.25mm

XX-No.of 02~30 pins

Type:

H1/H2-Hosing T-Terminal

RM1~RM4-Horizontal SMT Pin

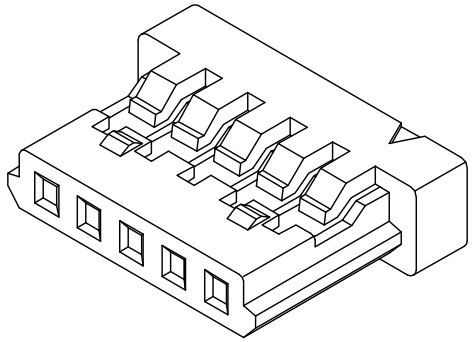
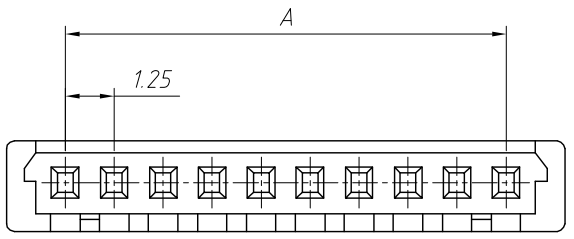
VM1- Horizontal SMT Pin

ANGLE TOLERANCE	PROJECTION	Description:	
±3°			1.25mm Pitch 12507HS Wire to board connector
GENERAL TOLERANCE	UNITS	mm	KLS P/N:
x.x ±0.30	SHEET SIZE	A4	L-KLS1-XL7-1.25-XX-H1
x.xx ±0.20	Draw:	Daniel	2020-11-11
x.xxx ±0.10	Check:	Daniel	2020-11-11



NingBo KLS ELECTRONIC CO.,L TD.

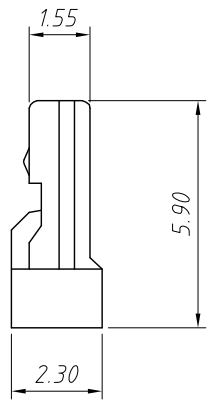
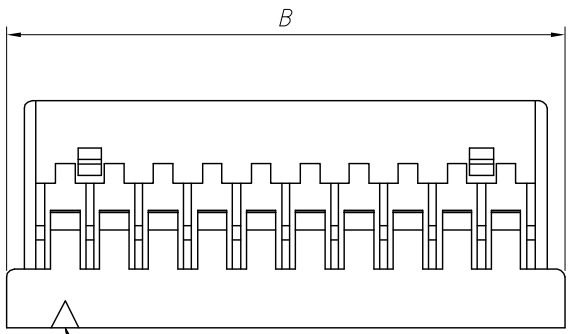
1
RoHS Compliance



Material:
Housing: PA66 ,UL94V-0
Color:Gray

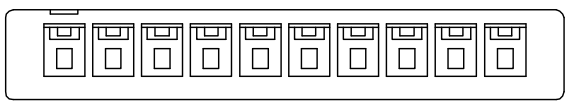
Electrical Characteristics:
Current rating:1.0A AC,DC
Voltage rating:150V AC,DC
Temperature range:-25°C ~ + 85°C
Insulation resistance:500MΩ/Min.
Withstanding voltage:500V AC/minute
Contact resistance:30mΩ/Max.

Pin	Dimensions (mm)	
	A	B
02	1.25	4.25
03	2.50	5.50
04	3.75	6.75
05	5.00	8.00
06	6.25	9.25
07	7.50	10.50
08	8.75	11.75
09	10.00	13.00
10	11.25	14.25
11	12.50	15.50
12	13.75	16.75
13	15.00	18.00
14	16.25	19.25
15	17.50	20.50
20	23.75	26.75
21	25.00	28.00
25	30.00	33.00
30	36.25	39.25

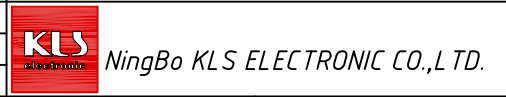


Circuit 1

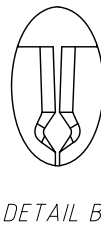
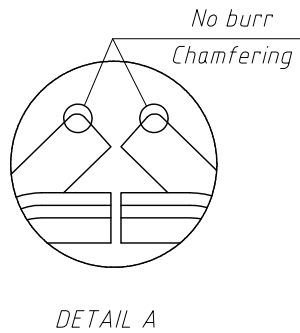
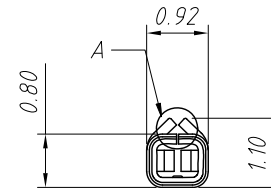
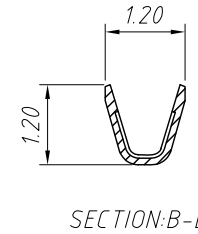
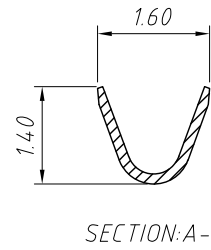
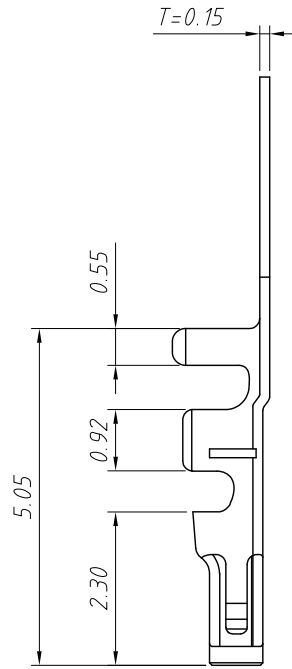
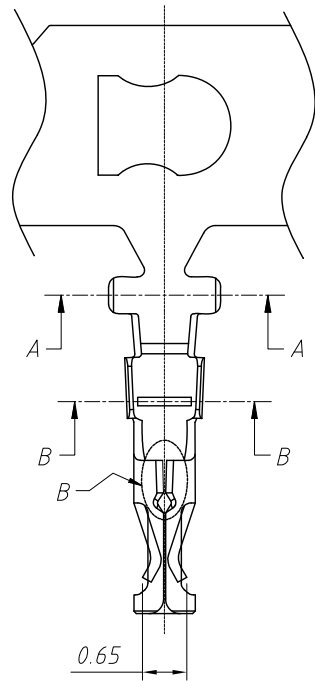
Order Information:
L-KLS1-XL7-1.25-XX-H2
L: RoHS
Pitch:1.25mm
XX-No. of 02 ~ 30 pins
Type:
H1/H2-Hosing T-Terminal
RM1~RM4-Horizontal SMT Pin
VM1- Horizontal SMT Pin



ANGLE TOLERANCE	PROJECTION	Description:	1.25mm Pitch 12507HS
±3°			Wire to board connector
GENERAL TOLERANCE	UNITS	mm	KLS P/N:
x.x ±0.30	SHEET SIZE	A4	L-KLS1-XL7-1.25-XX-H2
x.xx ±0.20	Draw:	Daniel	2020-11-11
x.xxx ±0.10	Check:	Daniel	2020-11-11



1
RoHS Compliance



Material:
Terminal: Phosphor Bronze
Plating: Gold-plated or Tin-plated
Applicable wires: AWG #28 ~ #32
Insulation O.D.: 0.9mm
Qty/reel: 10000 pcs

Electrical Characteristics:
Current rating: 1.0A AC, DC
Voltage rating: 150V AC, DC
Temperature range: -25°C ~ +85°C
Insulation resistance: 500MΩ/Min.
Withstanding voltage: 500V AC/minute
Contact resistance: 30mΩ/Max.

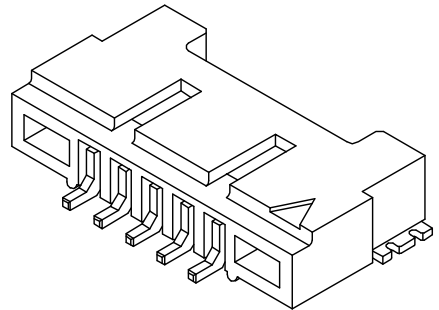
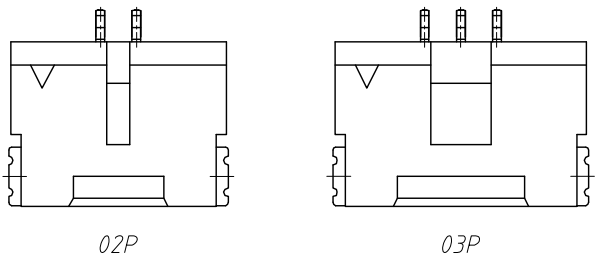
Order Information:
L-KLS1-XL7-1.25-T
L: RoHS
Pitch: 1.25mm
Type:
H1/H2-Hosing T-Terminal
RM1~RM4-Horizontal SMT Pin
VM1- Horizontal SMT Pin

ANGLE TOLERANCE	PROJECTION	Description:	1.25mm Pitch 12507HS
±3°			Wire to board connector
GENERAL TOLERANCE	UNITS	mm	KLS P/N:
x.x ±0.30	SHEET SIZE	A4	L-KLS1-XL7-1.25-T
x.xx ±0.20	Draw:	Daniel	2020-11-11
x.xxx ±0.10	Check:	Daniel	2020-11-11



NingBo KLS ELECTRONIC CO.,LTD.

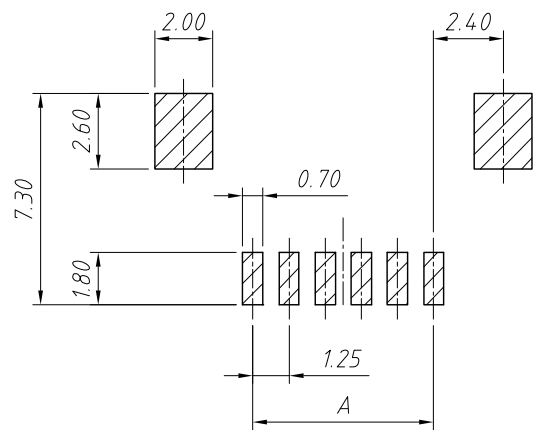
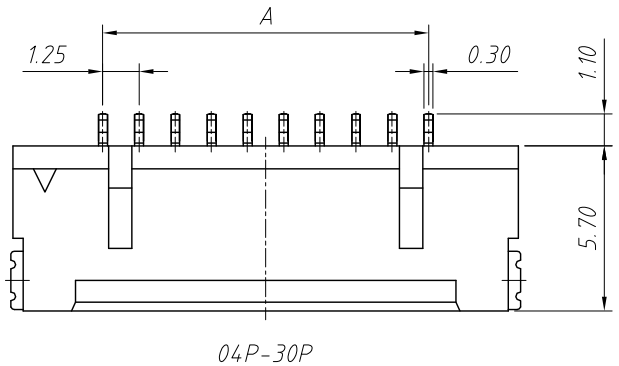
1
RoHS Compliance



Material:
Housing: PA9T, UL94V-0
Color: Beige
Pin: Brass, Tin-plated
Solder Tabs: Brass, Tin-plated

Electrical Characteristics:
Current rating: 1.0A AC,DC
Voltage rating: 150V AC,DC
Temperature range: -25°C ~ +85°C
Insulation resistance: 500MΩ/Min.
Withstanding voltage: 500V AC/minute
Contact resistance: 30mΩ/Max.

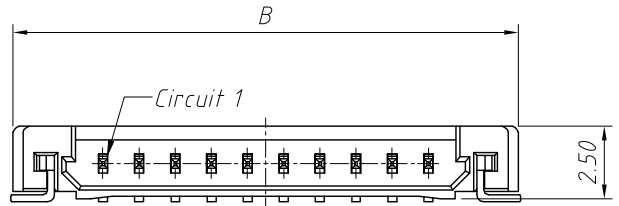
Pin	Dimensions(mm)	
	A	B
02	1.25	7.45
03	2.50	8.70
04	3.75	9.95
05	5.00	11.20
06	6.25	12.45
07	7.50	13.70
08	8.75	14.95
09	10.00	16.20
10	11.25	17.45
11	12.50	18.70
12	13.75	19.95
13	15.00	21.20
14	16.25	22.45
15	17.50	23.70
20	23.75	29.95
21	25.00	31.20
25	30.00	36.20
30	36.25	42.45



Order Information:
L-KLS1-XL7-1.25-XX-RM1

L: RoHS
Pitch: 1.25mm
XX-No. of 02 ~ 30 pins
Type: _____

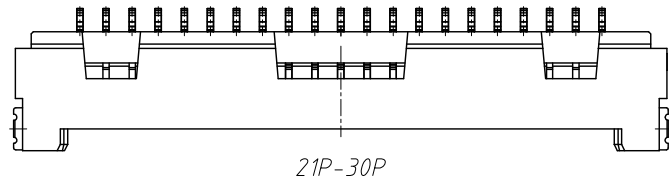
H1/H2-Hosing T-Terminal
RM1~RM4-Horizontal SMT Pin
VM1- Horizontal SMT Pin



ANGLE TOLERANCE	PROJECTION	Description:
±3°		1.25mm Pitch 12507HS Wire to board connector
GENERAL TOLERANCE	UNITS	mm
x.x ±0.30	SHEET SIZE	A4
x.xx ±0.20	Draw:	Daniel 2020-11-11
x.xxx ±0.10	Check:	Daniel 2020-11-11

NingBo KLS ELECTRONIC CO.,LTD.

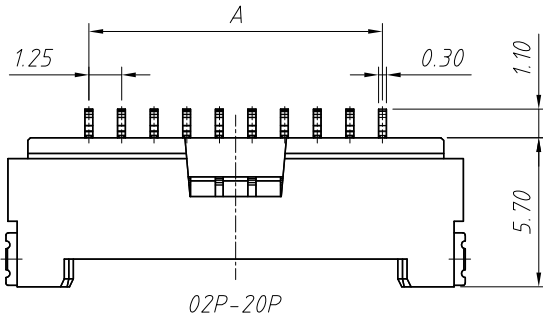
1 RoHS Compliance



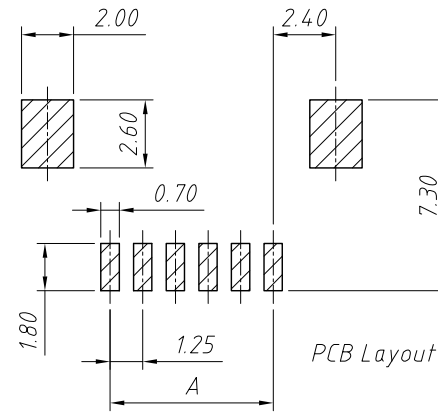
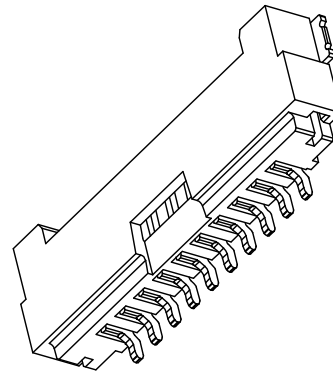
Material:
 Housing: PA9T, UL94V-0
 Color: Natural
 Pin: Brass, Gold-plated
 Solder Tabs: Brass, Gold-plated

Electrical Characteristics:
 Current rating: 1.0A AC, DC
 Voltage rating: 150V AC, DC
 Temperature range: -25°C ~ +85°C
 Insulation resistance: 500MΩ/Min.
 Withstanding voltage: 500V AC/minute
 Contact resistance: 30mΩ/Max.

Pin	Dimensions(mm)				
	A	B	C	D	E
02	1.25	7.45	3.81	3.13	2.43
03	2.50	8.70	5.06	4.38	3.68
04	3.75	9.95	6.31	5.63	4.93
05	5.00	11.20	7.56	6.88	6.18
06	6.25	12.45	8.81	8.13	7.43
07	7.50	13.70	10.06	9.38	8.68
08	8.75	14.95	11.31	10.63	9.93
09	10.00	16.20	12.56	11.88	11.18
10	11.25	17.45	13.81	13.13	12.43
11	12.50	18.70	15.06	14.38	13.68
12	13.75	19.95	16.31	15.63	14.93
13	15.00	21.20	17.56	16.88	16.18
14	16.25	22.45	18.81	18.13	17.43
15	17.50	23.70	20.06	19.38	18.68
20	23.75	29.95	26.31	25.63	24.93
25	30.00	36.20	32.56	31.88	31.18
30	36.25	42.45	38.81	38.13	37.43



02P-20P



Order Information:

L-KLS1-XL7-1.25-XX-RM2

L: RoHS

Pitch: 1.25mm

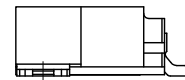
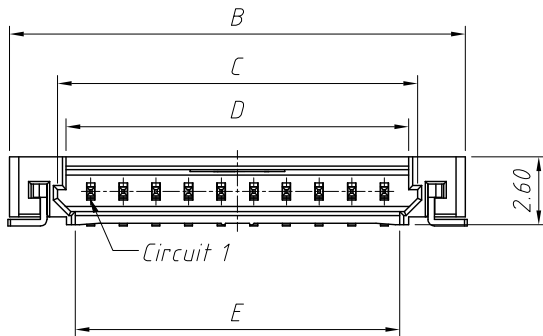
XX-No. of 02 ~ 30 pins

Type:

H1/H2-Hosing T-Terminal

RM1~RM4-Horizontal SMT Pin

VM1- Horizontal SMT Pin

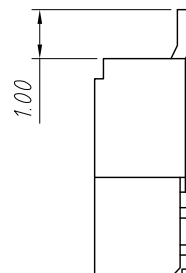
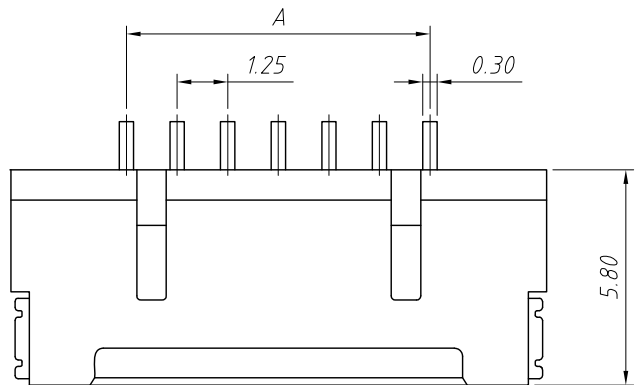


ANGLE TOLERANCE	PROJECTION	Description:	1.25mm Pitch 12507HS
±3°			Wire to board connector
GENERAL TOLERANCE	UNITS	mm	KLS P/N:
x.x ±0.30	SHEET SIZE	A4	L-KLS1-XL7-1.25-XX-RM2
x.xx ±0.20	Draw:	Daniel	2020-11-11
x.xxx ±0.10	Check:	Daniel	2020-11-11



NingBo KLS ELECTRONIC CO.,L TD.

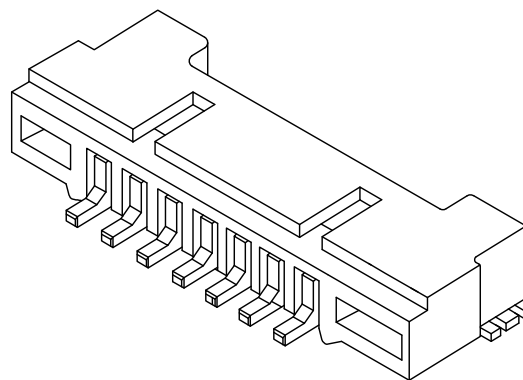
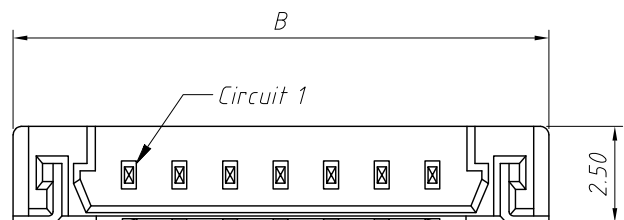
RoHS Compliance



Material:
 Housing: PA6T, UL 94V-0
 Color: Natural
 Pin: Brass, Tin-plated
 Solder Tabs: Brass, Tin-plated

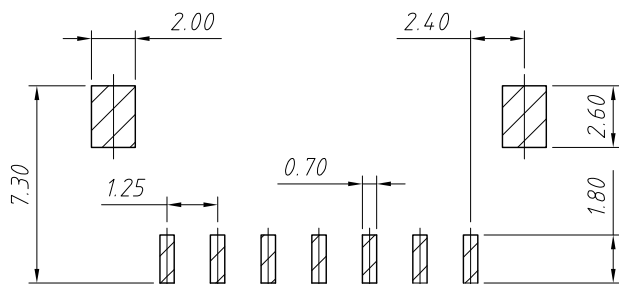
Electrical Characteristics:
 Current rating: 1.0A AC, DC
 Voltage rating: 150V AC, DC
 Temperature range: -25°C ~ +85°C
 Insulation resistance: 500MΩ/Min.
 Withstanding voltage: 500V AC/minute
 Contact resistance: 30mΩ/Max.

Pin	Dimensions (mm)	
	A	B
02	1.25	7.45
03	2.50	8.70
04	3.75	9.95
05	5.00	11.20
06	6.25	12.45
07	7.50	13.70
08	8.75	14.95
09	10.00	16.20
10	11.25	17.45
11	12.50	18.70
12	13.75	19.95
13	15.00	21.20
14	16.25	22.45
15	17.50	23.70
20	23.75	29.95
25	30.00	36.20
30	36.25	42.45



Order Information:
 L-KLS1-XL 7-1.25-XX-RM3

L: RoHS
 Pitch: 1.25mm
 XX-No. of 02 ~ 30 pins
 Type: H1/H2-Hosing T-Terminal
 RM1~RM4-Horizontal SMT Pin
 VM1- Horizontal SMT Pin



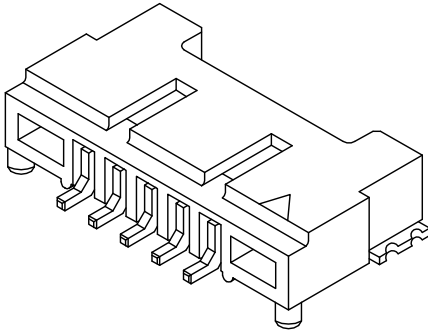
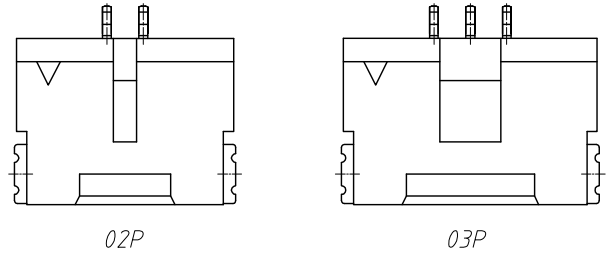
PCB Layout

ANGLE TOLERANCE	PROJECTION	Description:	1.25mm Pitch 12507HS
±3°			Wire to board connector
GENERAL TOLERANCE	UNITS	mm	KLS P/N:
x.x ±0.30	SHEET SIZE	A4	L-KLS1-XL 7-1.25-XX-RM3
x.xx ±0.20	Draw:	Daniel	2020-11-11
x.xxx ±0.10	Check:	Daniel	2020-11-11



NingBo KLS ELECTRONIC CO.,L TD.

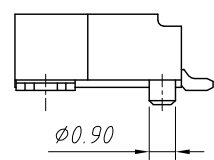
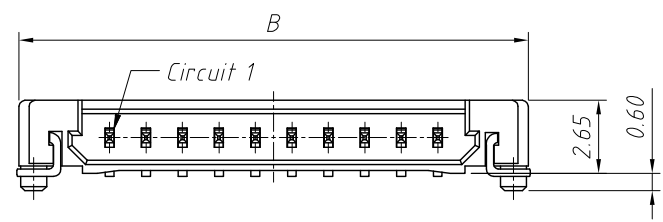
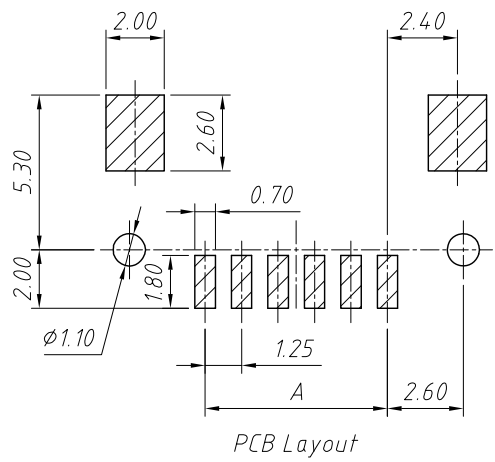
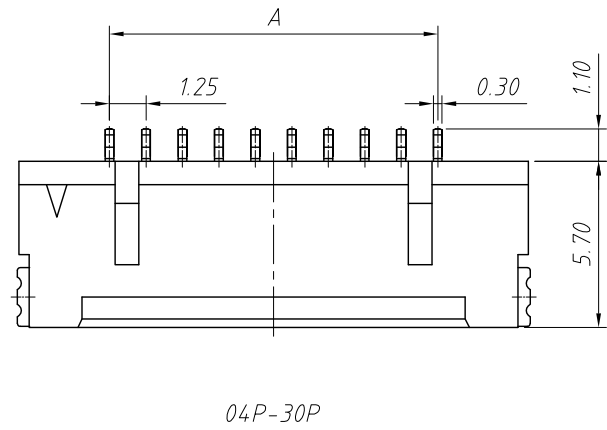
1 RoHS Compliance



Material:
 Housing: LCP, UL94V-0, Natural
 Housing: PA9T, UL94V-0, Beige
 Pin: Brass, Tin-plated
 Solder Tabs: Brass, Tin-plated

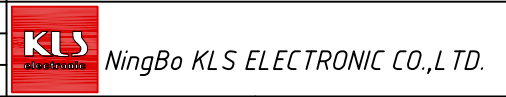
Electrical Characteristics:
 Current rating: 1.0A AC, DC
 Voltage rating: 150V AC, DC
 Temperature range: -25°C ~ +85°C
 Insulation resistance: 500MΩ/Min.
 Withstanding voltage: 500V AC/minute
 Contact resistance: 30mΩ/Max.

Pin	Dimensions (mm)	
	A	B
02	1.25	7.45
03	2.50	8.70
04	3.75	9.95
05	5.00	11.20
06	6.25	12.45
07	7.50	13.70
08	8.75	14.95
09	10.00	16.20
10	11.25	17.45
11	12.50	18.70
12	13.75	19.95
13	15.00	21.20
14	16.25	22.45
15	17.50	23.70
20	23.75	29.95
25	30.00	36.20
30	36.25	42.45

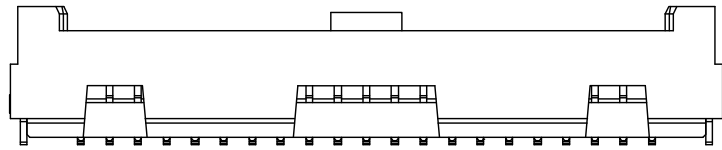


Order Information:
 L-KLS1-XL7-1.25-XX-RM4
 L: RoHS
 Pitch: 1.25mm
 XX-No. of 02 ~ 30 pins
 Type: _____
 H1/H2-Hosing T-Terminal
 RM1~RM4-Horizontal SMT Pin
 VM1- Horizontal SMT Pin

ANGLE TOLERANCE	PROJECTION	Description:	1.25mm Pitch 12507HS
$\pm 3^\circ$			Wire to board connector
GENERAL TOLERANCE	UNITS	mm	KLS P/N:
x.x ± 0.30	SHEET SIZE	A4	L-KLS1-XL7-1.25-XX-RM4
x.xx ± 0.20	Draw:	Daniel	2020-11-11
x.xxx ± 0.10	Check:	Daniel	2020-11-11



1 RoHS Compliance



21P-30P

Material:

Housing: PA6T, UL94V-0

Color: Natural

Pin: Brass, Tin-plated

Solder Tabs: Brass, Tin-plated

Electrical Characteristics:

Current rating: 1.0A AC, DC

Voltage rating: 150V AC, DC

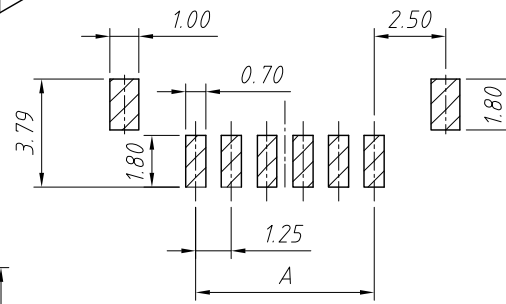
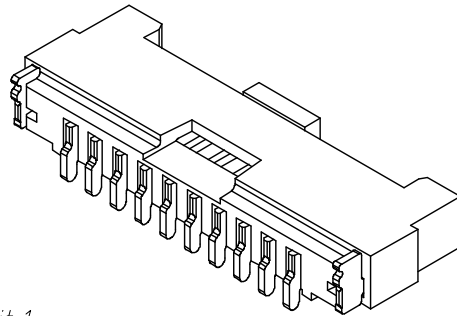
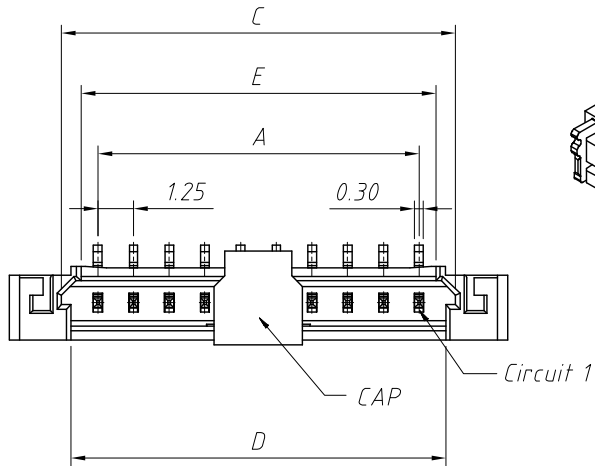
Temperature range: -25°C ~ +85°C

Insulation resistance: 500MΩ/Min.

Withstanding voltage: 500V AC/minute

Contact resistance: 30mΩ/Max.

Pin	Dimensions (mm)				
	A	B	C	D	E
02	1.25	7.45	3.81	3.13	2.43
03	2.50	8.70	5.06	4.38	3.68
04	3.75	9.95	6.31	5.63	4.93
05	5.00	11.20	7.56	6.88	6.18
06	6.25	12.45	8.81	8.13	7.43
07	7.50	13.70	10.06	9.38	8.68
08	8.75	14.95	11.31	10.63	9.93
09	10.00	16.20	12.56	11.88	11.18
10	11.25	17.45	13.81	13.13	12.43
11	12.50	18.70	15.06	14.38	13.68
12	13.75	19.95	16.31	15.63	14.93
13	15.00	21.20	17.56	16.88	16.18
14	16.25	22.45	18.81	18.13	17.43
15	17.50	23.70	20.06	19.38	18.68
20	23.75	29.95	26.31	25.63	24.93
25	30.00	36.20	32.56	31.88	31.18
30	36.25	42.45	38.81	38.13	37.43



PCB Layout

Order Information:

L-KLS1-XL7-1.25-XX-VM1

L: RoHS

Pitch: 1.25mm

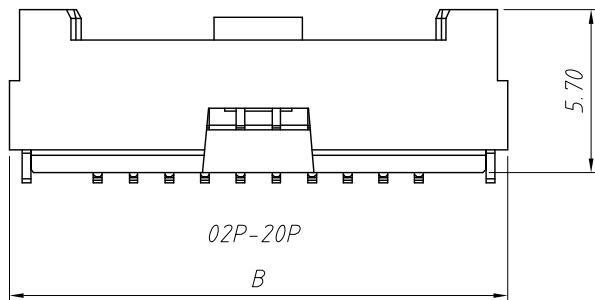
XX-No. of 02 ~ 30 pins

Type:

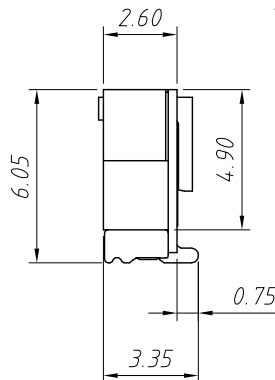
H1/H2-Hosing T-Terminal

RM1~RM4-Horizontal SMT Pin

VM1- Horizontal SMT Pin



02P-20P



ANGLE TOLERANCE	PROJECTION	Description:	
±3°			1.25mm Pitch 12507HS Wire to board connector
GENERAL TOLERANCE	UNITS	mm	KLS P/N:
x.x ±0.30	SHEET SIZE	A4	L-KLS1-XL7-1.25-XX-VM1
x.xx ±0.20	Draw:	Daniel	2020-11-11
x.xxx ±0.10	Check:	Daniel	2020-11-11



NingBo KLS ELECTRONIC CO.,LTD.