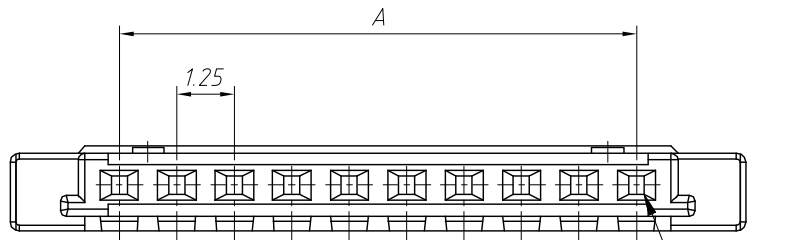


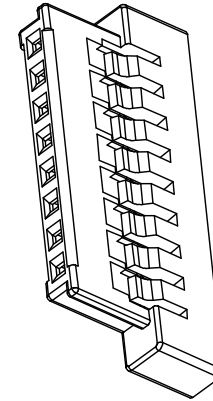
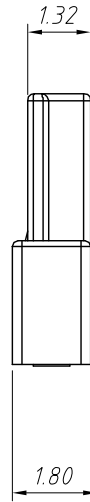
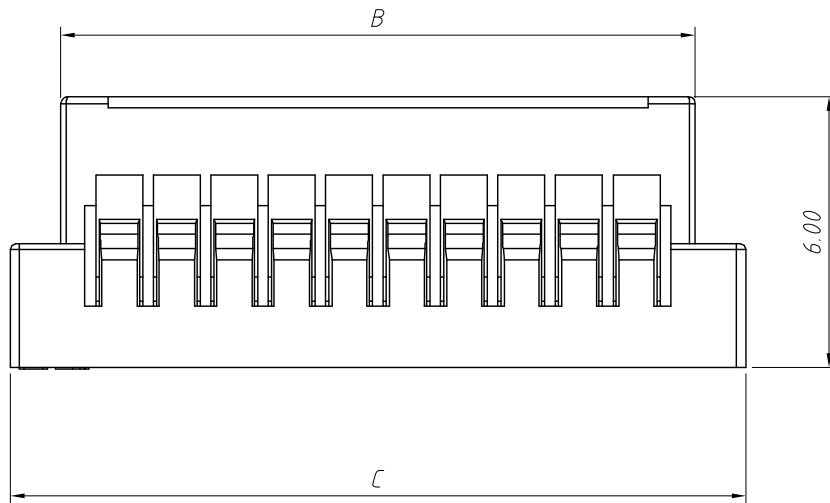
1 RoHS Compliance



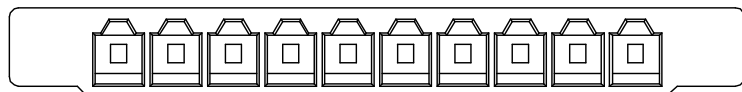
Material:
Housing: PA66 ,UL94 V-0
Color:Black

Electrical Characteristics:
Current rating:1.0A AC,DC
Voltage rating:200V AC,DC
Temperature range:-25°C ~ + 85°C
Insulation resistance:100MΩ/Min.
Withstanding voltage:500V AC/minute
Contact resistance:40mΩ/Max.

Pin	Dimensions(mm)		
	A	B	C
02	1.25	3.90	6.10
03	2.50	5.15	7.35
04	3.75	6.40	8.60
05	5.00	7.65	9.85
06	6.25	8.90	11.10
07	7.50	10.15	12.35
08	8.75	11.40	13.60
09	10.00	12.65	14.85
10	11.25	13.90	16.10
11	12.50	15.15	17.35
12	13.75	16.40	18.60
13	15.00	17.75	19.85
14	16.25	18.90	21.10
15	17.50	20.15	22.35
20	23.75	21.40	28.60
25	30.00	32.75	34.85
30	36.25	38.90	41.10



Order Information:
L-KLS1-XL6-1.25-XX-H
 L: RoHS
 Pitch: 1.25mm
 XX-No. of 02 ~ 30 pins
 Type: _____
 H-Hosing T-Terminal
 RM1-Horizontal SMT Pin
 RM2-Horizontal SMT Pin

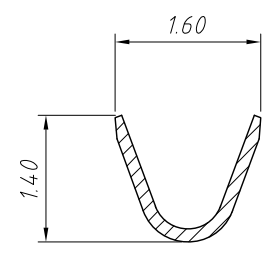
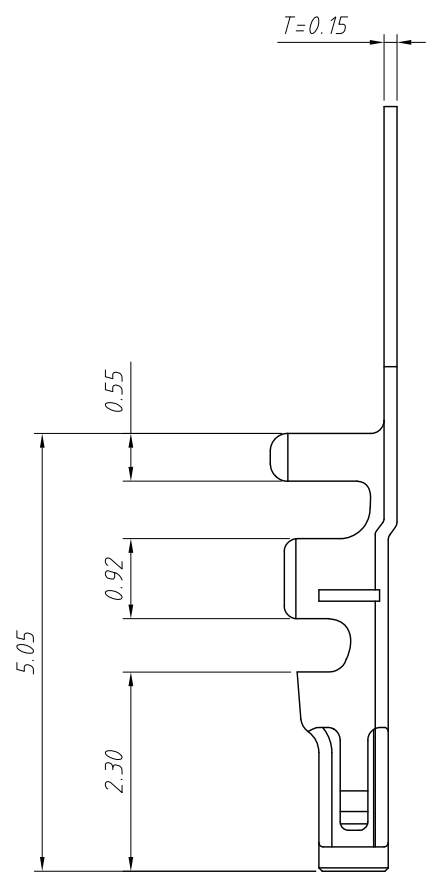
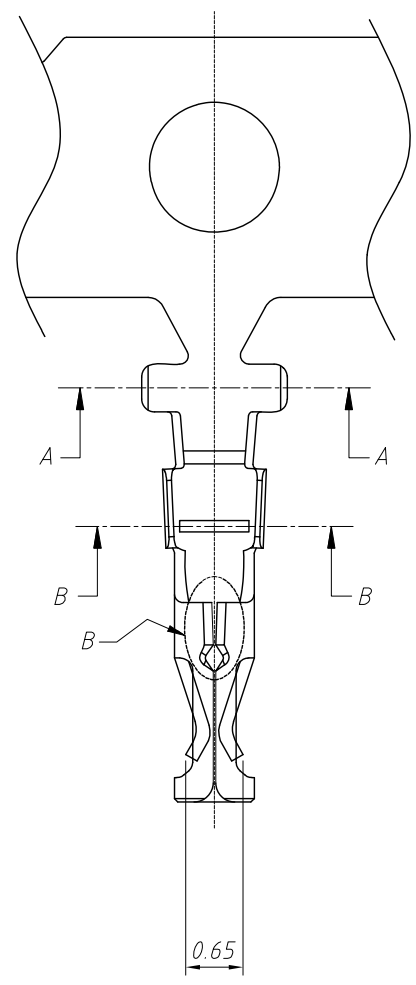


ANGLE TOLERANCE	PROJECTION		Description:
±3°			1.25mm FI-S type wire to board connector
GENERAL TOLERANCE	UNITS	mm	KLS P/N:
x.x ±0.30	SHEET SIZE	A4	L-KLS1-XL6-1.25-XX-H
x.xx ±0.20	Draw:	Daniel	2020-11-11
x.xxx ±0.10	Check:	Daniel	2020-11-11

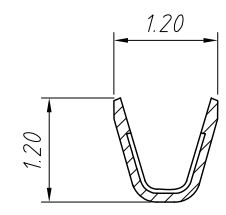


NingBo KLS ELECTRONIC CO.,L TD.

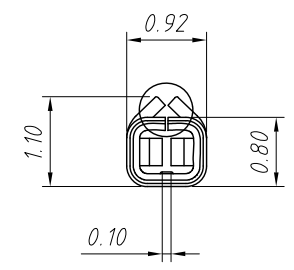
1
RoHS Compliance



SECTION: A-A



SECTION: B-B



Material:
 Terminal: Phosphor Bronze
 Plating: Gold-flash or Tin-plated
 Applicable wires: AWG #28 ~ #32
 Insulation O.D.: 0.9mm
 Qty/reel: 15000 pcs

Electrical Characteristics:
 Current rating: 1.0A AC, DC
 Voltage rating: 200V AC, DC
 Temperature range: -25°C ~ +85°C
 Insulation resistance: 100MΩ/Min.
 Withstanding voltage: 500V AC/minute
 Contact resistance: 40mΩ/Max.

Order Information:
 L-KLS1-XL6-1.25-T

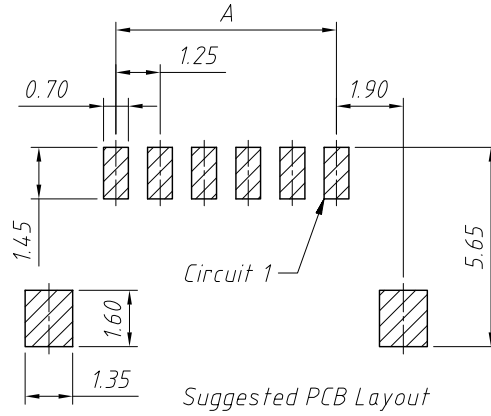
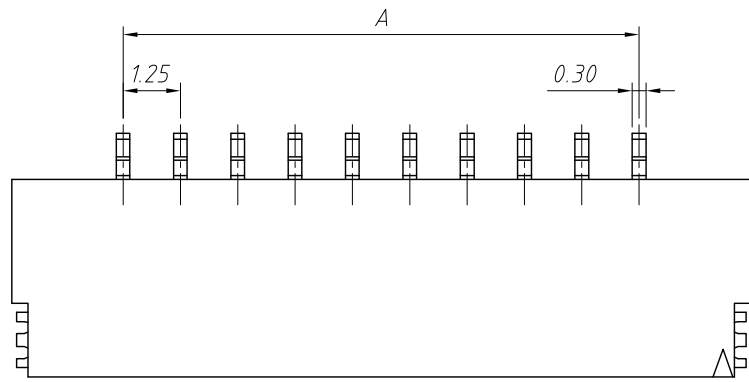
 L: RoHS
 Pitch: 1.25mm
 Type:
 H-Hosing T-Terminal
 RM1-Horizontal SMT Pin
 RM2-Horizontal SMT Pin

ANGLE TOLERANCE	PROJECTION	Description:	
±3°		1.25mm FI-S type wire to board connector	
GENERAL TOLERANCE	UNITS	mm	KLS P/N:
x.x ±0.30	SHEET SIZE	A4	L-KLS1-XL6-1.25-T
x.xx ±0.20	Draw:	Daniel	2020-11-11
x.xxx ±0.10	Check:	Daniel	2020-11-11

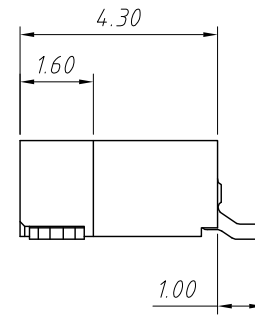
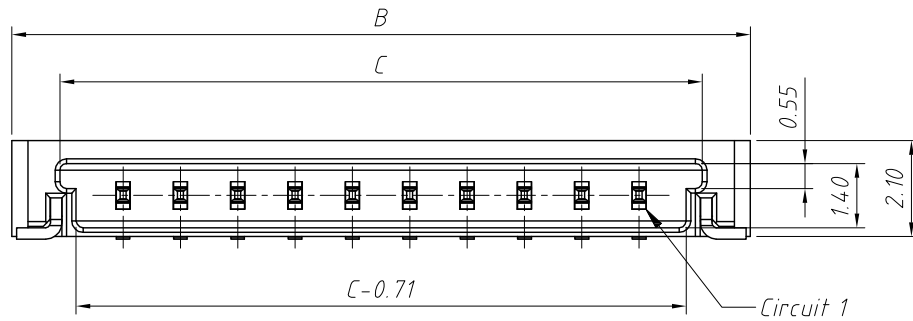


NingBo KLS ELECTRONIC CO.,LTD.

1 RoHS Compliance

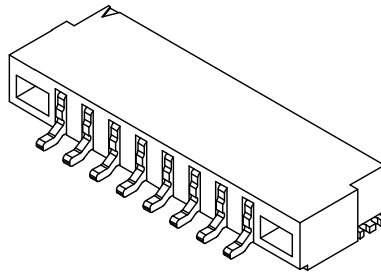


Pin	Dimensions(mm)		
	A	B	C
02	1.25	6.10	4.01
03	2.50	7.35	5.26
04	3.75	8.60	6.51
05	5.00	9.85	7.76
06	6.25	11.10	9.01
07	7.50	12.35	10.26
08	8.75	13.60	11.51
09	10.00	14.85	12.76
10	11.25	16.10	14.01
11	12.50	17.35	15.26
12	13.75	18.60	16.51
13	15.00	19.85	17.76
14	16.25	21.10	19.01
15	17.50	22.35	20.26
20	23.75	28.60	26.51
25	30.00	34.85	32.76
30	36.25	41.10	39.01



Material:
Housing: PA6T, UL 94V-0
Color: Natural
Pin: Brass, Gold-flash
Solder Tabs: Brass, Gold-flash

Electrical Characteristics:
Current rating: 1.0A AC, DC
Voltage rating: 200V AC, DC
Temperature range: -25°C ~ +85°C
Insulation resistance: 100MΩ/Min.
Withstanding voltage: 500V AC/minute
Contact resistance: 40mΩ/Max.



Order Information:
L-KLS1-XL6-1.25-XX-RM1

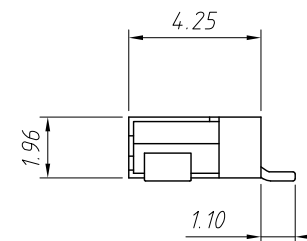
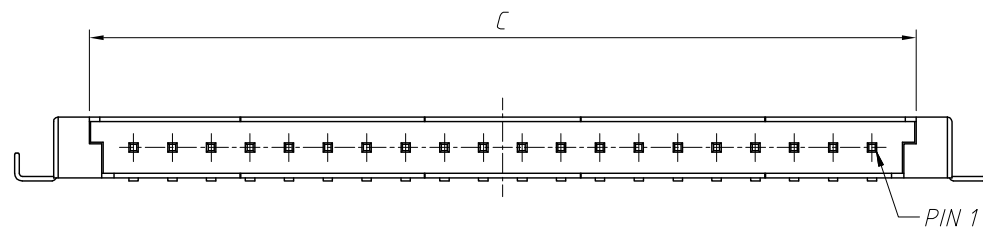
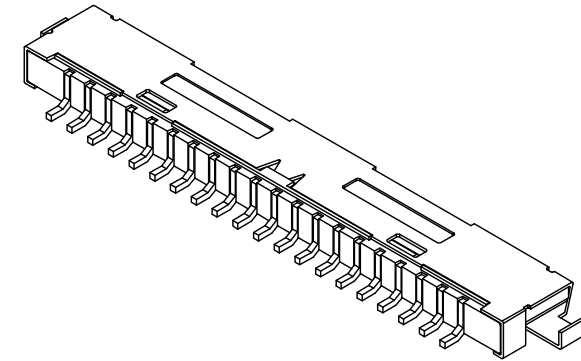
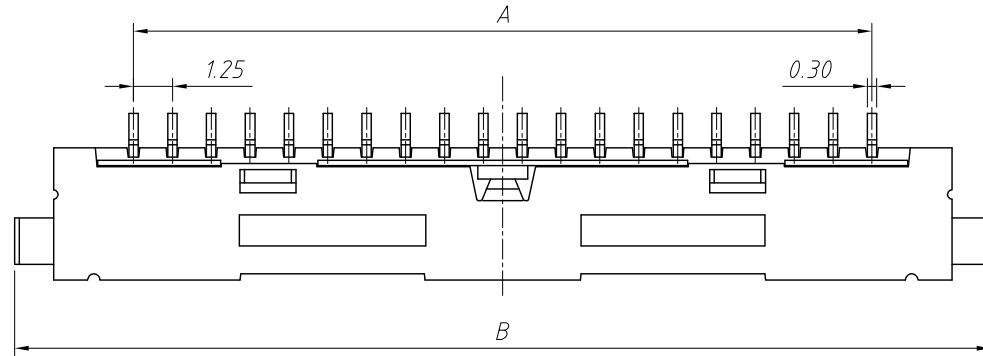
L: RoHS
Pitch: 1.25mm
XX-No. of 02 ~ 30 pins
Type: _____
H-Hosing T-Terminal
RM1-Horizontal SMT Pin
RM2-Horizontal SMT Pin

ANGLE TOLERANCE	PROJECTION	Description:
±3°		1.25mm FI-S type wire to board connector
GENERAL TOLERANCE	UNITS	mm
x.x ±0.30	SHEET SIZE	A4
x.xx ±0.20	Draw:	Daniel 2020-11-11
x.xxx ±0.10	Check:	Daniel 2020-11-11

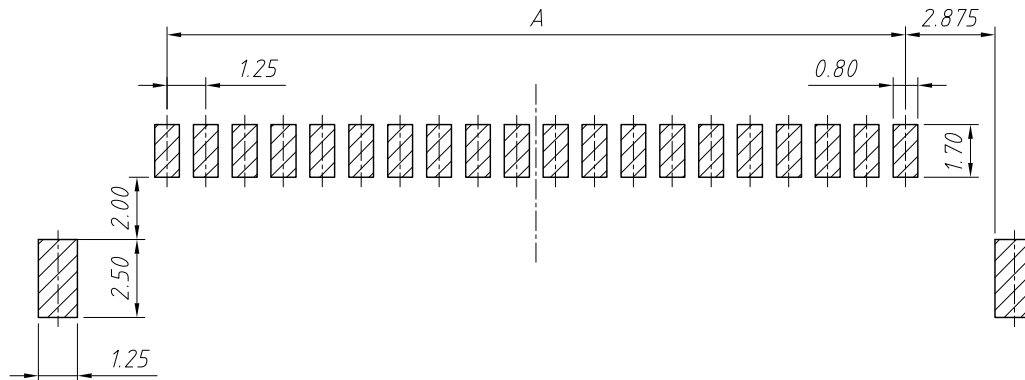


NingBo KLS ELECTRONIC CO.,L TD.

1 RoHS Compliance



Pin	Dimensions(mm)		
	A	B	C
20	23.75	28.60	26.51
30	36.25	41.10	39.01



Suggested PCB Layout

Material:
 Housing:LCP ,UL94V-0,Color:Natural
 Pin:Brass,Tin-flash
 Solder Tabs:Brass,Tin-flash
Electrical Characteristics:
 Current rating:1.0A AC,DC
 Voltage rating:200V AC,DC
 Temperature range:-25°C ~ + 85°C
 Insulation resistance:100MΩ/Min.
 Withstanding voltage:500V AC/minute
 Contact resistance:40mΩ/Max.

Order Information:
 L-KLS1-XL6-1.25-XX-RM2
 L: RoHS
 Pitch:1.25mm
 XX-No.of 02~30 pins
 Type:
 H-Hosing T-Terminal
 RM1-Horizontal SMT Pin
 RM2-Horizontal SMT Pin

ANGLE TOLERANCE	PROJECTION	Description:
±3°		1.25mm FI-S type wire to board connector
GENERAL TOLERANCE	UNITS	mm
x.x ±0.30	SHEET SIZE	A4
x.xx ±0.20	Draw:	Daniel 2020-11-11
x.xxx ±0.10	Check:	Daniel 2020-11-11



NingBo KLS ELECTRONIC CO.,L TD.