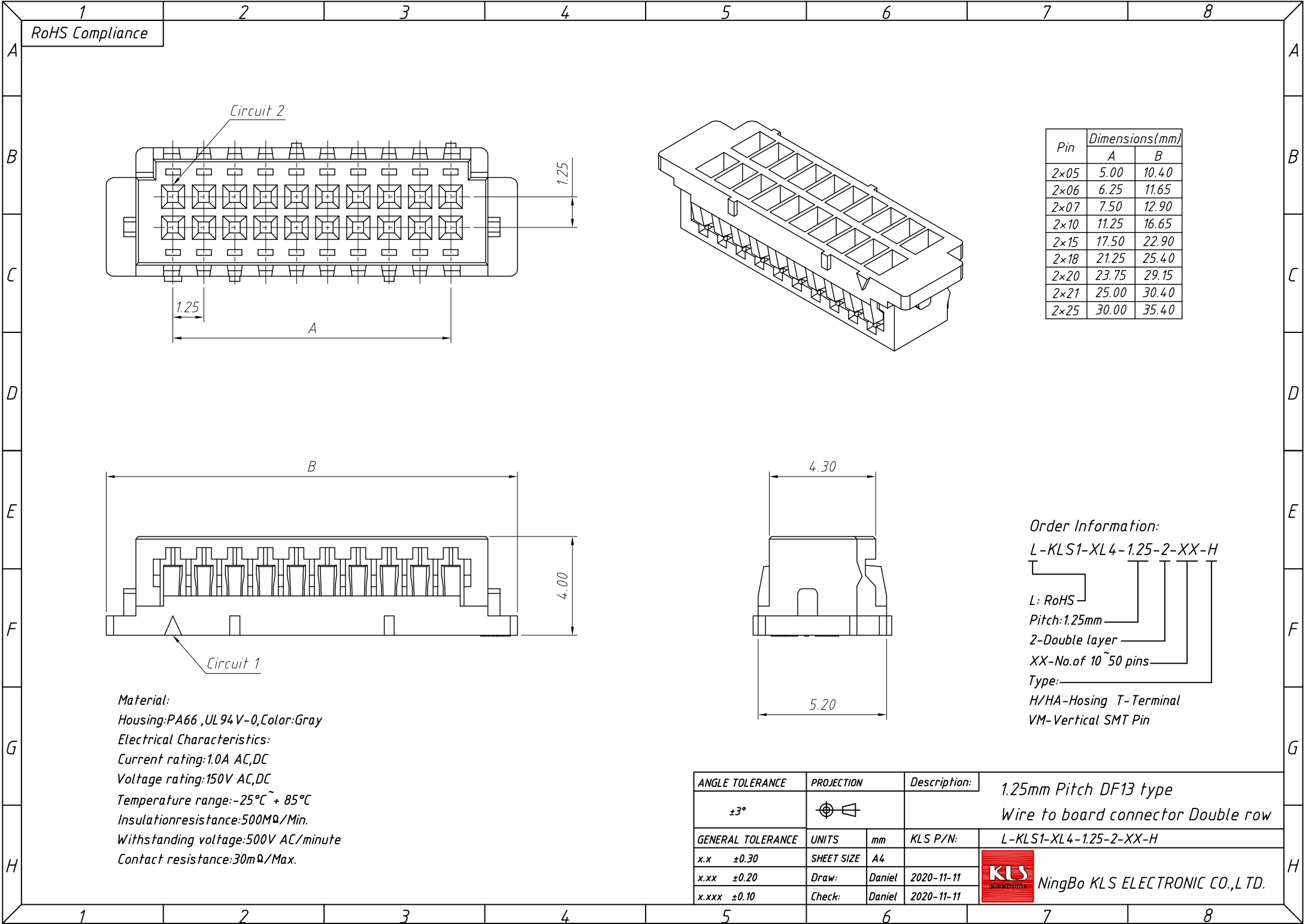


1
RoHS Compliance



Pin	Dimensions(mm)	
	A	B
2x05	5.00	10.40
2x06	6.25	11.65
2x07	7.50	12.90
2x10	11.25	16.65
2x15	17.50	22.90
2x18	21.25	25.40
2x20	23.75	29.15
2x21	25.00	30.40
2x25	30.00	35.40

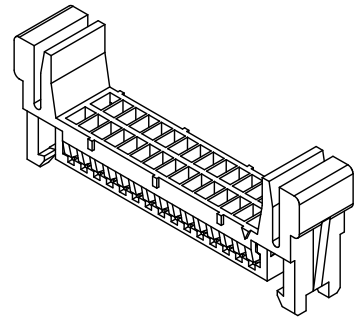
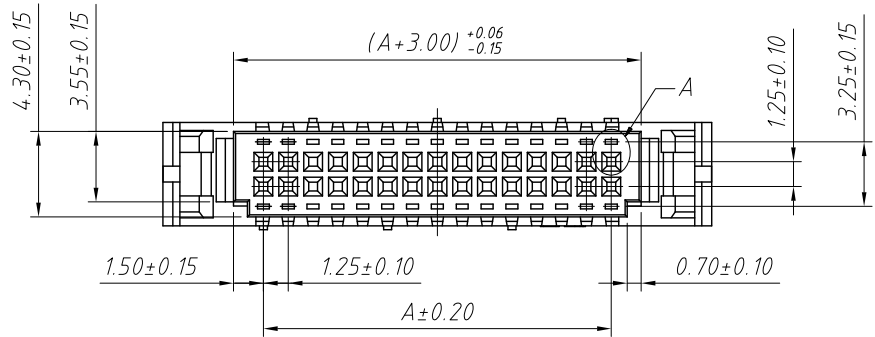
Order Information:
 L-KLS1-XL4-1.25-2-XX-H
 L: RoHS
 Pitch:1.25mm
 2-Double layer
 XX-No.of 10~50 pins
 Type:
 H/HA-Hosing T-Terminal
 VM-Vertical SMT Pin

Material:
 Housing:PA66 ,UL 94 V-0,Color:Gray
 Electrical Characteristics:
 Current rating:1.0A AC,DC
 Voltage rating:150V AC,DC
 Temperature range:-25°C ~ + 85°C
 Insulationresistance:500MΩ/Min.
 Withstanding voltage:500V AC/minute
 Contact resistance:30mΩ/Max.

ANGLE TOLERANCE	PROJECTION	Description:	1.25mm Pitch DF13 type
±3°			Wire to board connector Double row
GENERAL TOLERANCE	UNITS	mm	KLS P/N:
x.x ±0.30	SHEET SIZE	A4	L-KLS1-XL4-1.25-2-XX-H
x.xx ±0.20	Draw:	Daniel	2020-11-11
x.xxx ±0.10	Check:	Daniel	2020-11-11

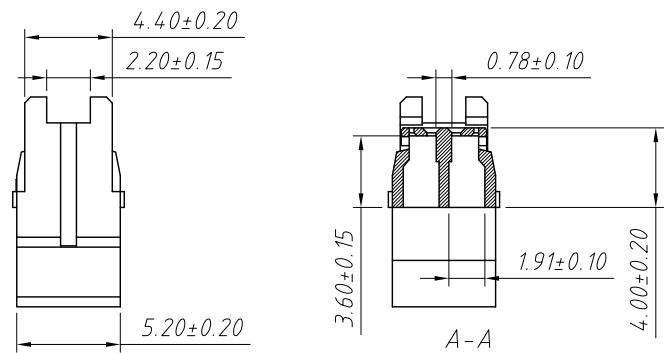
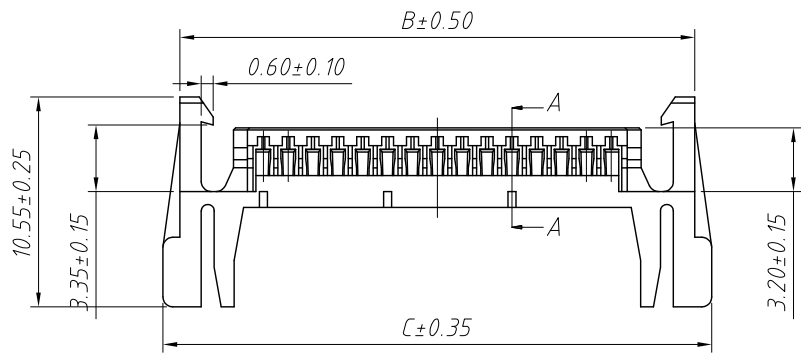


RoHS Compliance

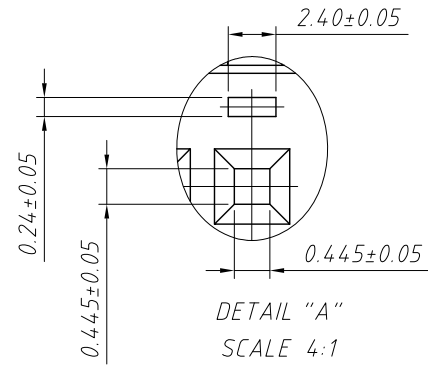
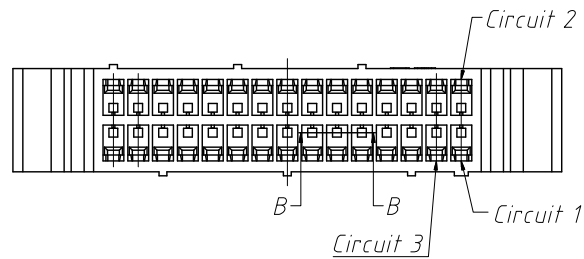


Material:
Housing:PA66 ,UL94V-0
Color:White of Black

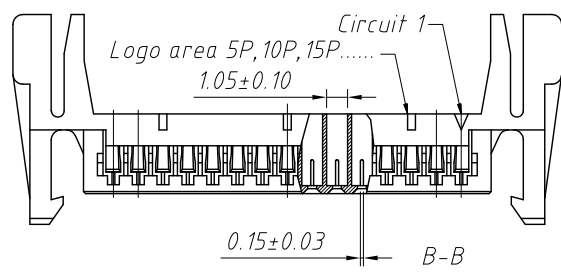
Electrical Characteristics:
Current rating:1.0A AC,DC
Voltage rating:150V AC,DC
Temperature range:-25°C ~ +85°C
Insulation resistance:500MΩ/Min.
Withstanding voltage:500V AC/minute
Contact resistance:30mΩ/Max.



Pin	Dimensions(mm)		
	A	B	C
2×05	5.00	13.40	15.10
2×06	6.25	14.65	16.35
2×07	7.50	15.90	17.60
2×10	11.25	19.65	21.35
2×15	17.50	25.90	27.60
2×17	20.00	28.40	30.10
2×18	21.25	29.65	31.35
2×20	23.75	32.15	33.85
2×21	25.00	33.40	35.10



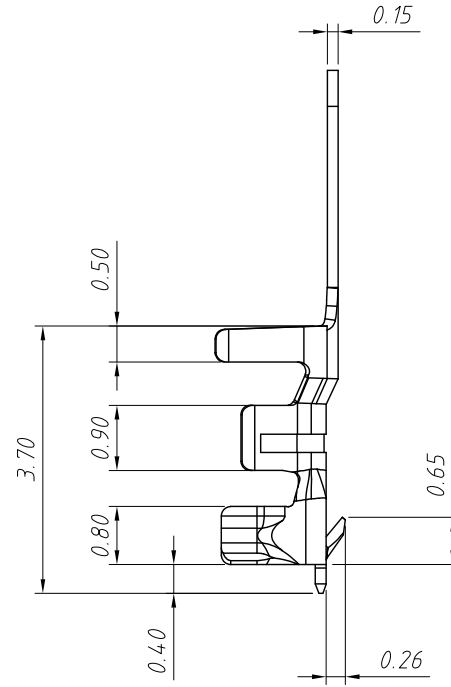
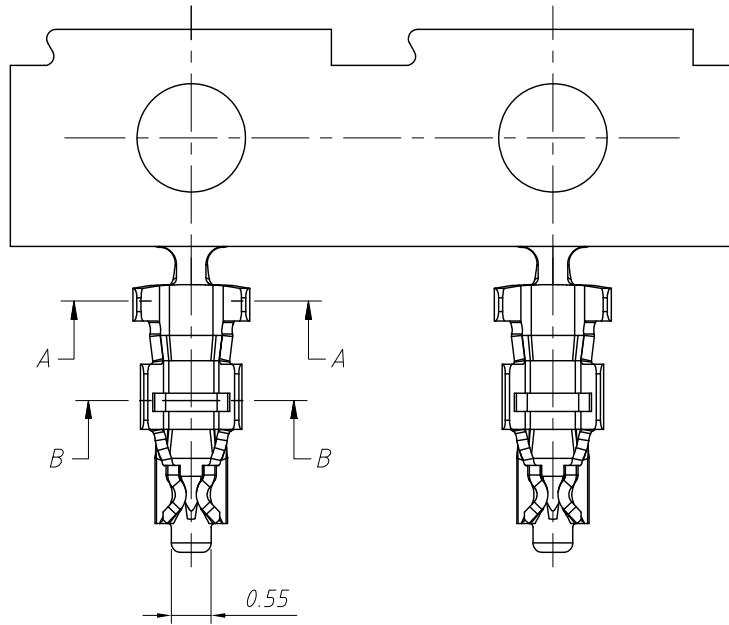
Order Information:
L-KLS1-XL4-1.25-2-XX-HA
L: RoHS
Pitch:1.25mm
2-Double layer
XX-No.of 10~42 pins
Type:
H/HA-Hosing T-Terminal
VM-Vertical SMT Pin



ANGLE TOLERANCE	PROJECTION	Description:
±3°		1.25mm Pitch DF13 type Wire to board connector Double row
GENERAL TOLERANCE	UNITS	mm
x.x ±0.30	SHEET SIZE	A4
x.xx ±0.20	Draw:	Daniel 2020-11-11
x.xxx ±0.10	Check:	Daniel 2020-11-11

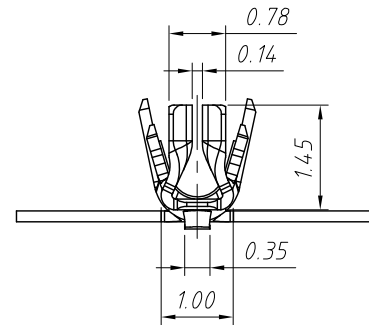
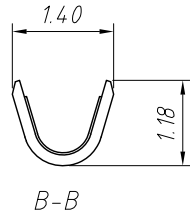
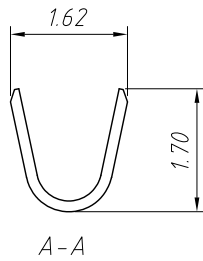
NingBo KLS ELECTRONIC CO.,L TD.

1 RoHS Compliance



Material:
 Terminal: Phosphor Bronze
 Plating: Tin plated
 Applicable wires: AWG #26 ~ #30
 Insulation O.D.: 1.00mm Max
 Qty/reel: 20000 pcs

Electrical Characteristics:
 Current rating: 1.0A AC,DC
 Voltage rating: 150V AC,DC
 Temperature range: -35°C ~ +85°C
 Insulation resistance: 100MΩ/Min.
 Withstanding voltage: 500V AC/minute
 Contact resistance: 30mΩ/Max.



Order Information:
 L-KLS1-XL4-1.25-T

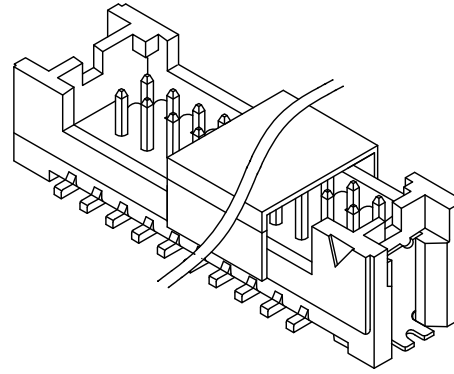
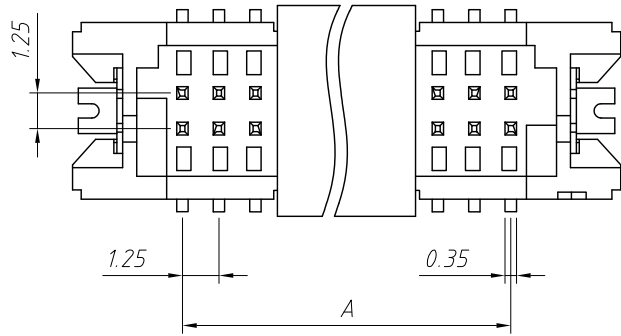
L: RoHS
 Pitch: 1.25mm
 Type: _____
 H-Hosing T-Terminal
 S-Straight male pin
 R-Right angle male pin
 VM-Vertical SMT Pin
 RM-Horizontal SMT Pin

ANGLE TOLERANCE	PROJECTION	Description:	1.25mm Pitch DF13 type
±3°			Wire to board connector Single row
GENERAL TOLERANCE	UNITS	mm	KLS P/N:
x.x ±0.30	SHEET SIZE	A4	L-KLS1-XL4-1.25-T
x.xx ±0.20	Draw:	Daniel	2020-11-11
x.xxx ±0.10	Check:	Daniel	2020-11-11



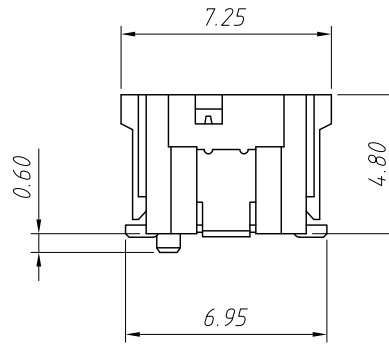
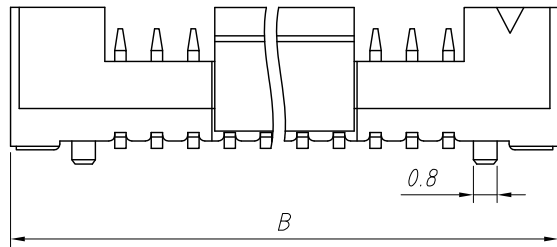
NingBo KLS ELECTRONIC CO.,LTD.

RoHS Compliance

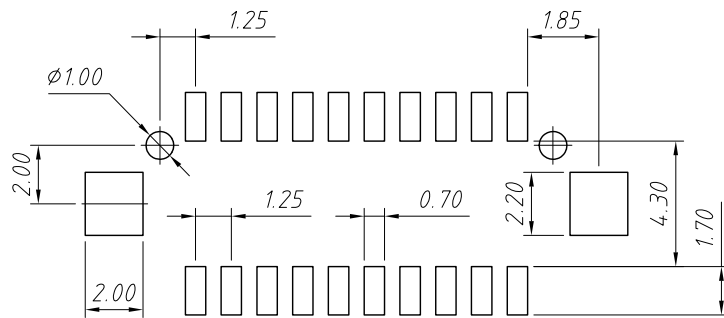


Material:
 Wafer: PA9T ,UL 94V-0
 Color: Natrual
 Pin: Brass, Gold-flash
 Solder Tabs: Brass, Gold-flash

Electrical Characteristics:
 Current rating: 1.0A AC,DC
 Voltage rating: 150V AC,DC
 Temperature range: -25°C ~ + 85°C
 Insulation resistance: 500MΩ/Min.
 Withstanding voltage: 500V AC/minute
 Contact resistance: 30mΩ/Max.



Order Information:
 L-KLS1-XL4-1.25-2-XX-VM
 L: RoHS
 Pitch: 1.25mm
 2-Double layer
 XX-No. of 10 ~ 50 pins
 Type:
 H/HA-Hosing T-Terminal
 VM- Vertical SMT Pin



Recommended PCB Layout

Pin	Dimensions(mm)	
	A	B
2×05	5.00	12.50
2×06	6.25	13.75
2×07	7.50	15.00
2×10	11.25	18.75
2×12	13.75	21.25
2×15	17.50	25.00
2×20	23.75	31.25
2×25	30.00	37.50

ANGLE TOLERANCE	PROJECTION	Description:	1.25mm Pitch DF13 type
±3°			Wire to board connector Double row
GENERAL TOLERANCE	UNITS	mm	KLS P/N:
x.x ±0.30	SHEET SIZE	A4	L-KLS1-XL4-1.25-2-XX-VM
x.xx ±0.20	Draw:	Daniel	2020-11-11
x.xxx ±0.10	Check:	Daniel	2020-11-11



NingBo KLS ELECTRONIC CO.,LTD.