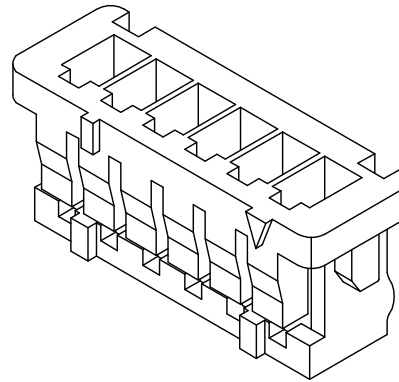
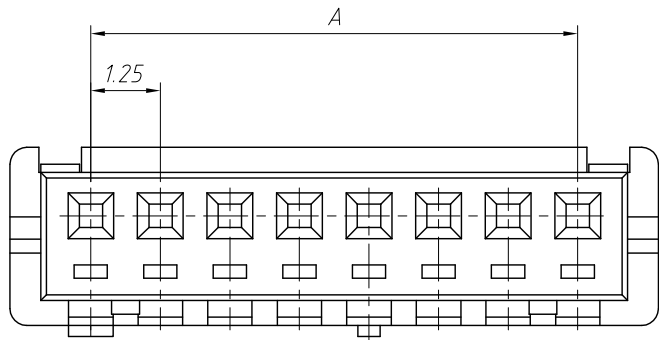
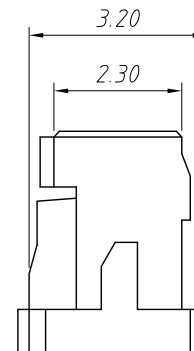
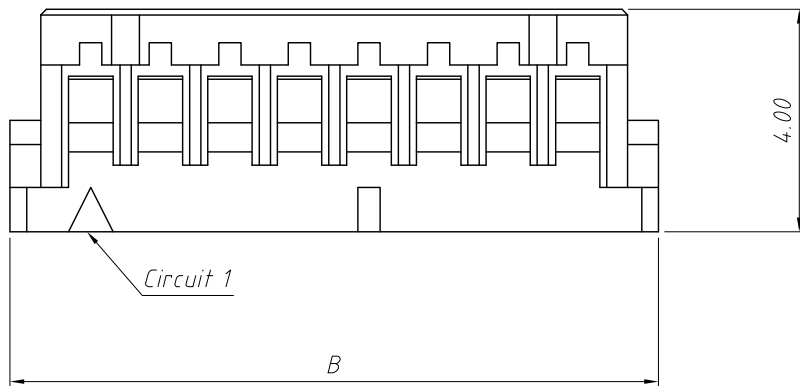


1
RoHS Compliance

A
B
C
D
E
F
G
H

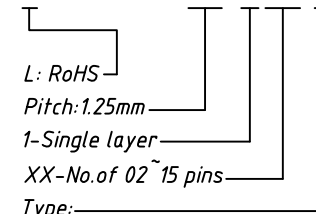


Pin	Dimensions(mm)	
	A	B
02	1.25	4.15
03	2.50	5.40
04	3.75	6.65
05	5.00	7.90
06	15.70	9.15
07	6.25	10.40
08	7.50	11.65
09	8.75	12.90
10	10.00	14.15
11	11.25	15.40
12	13.75	16.65
13	15.00	17.90
14	16.25	19.15
15	17.50	20.40



Order Information:

L-KLS1-XL4-1.25-1-XX-H



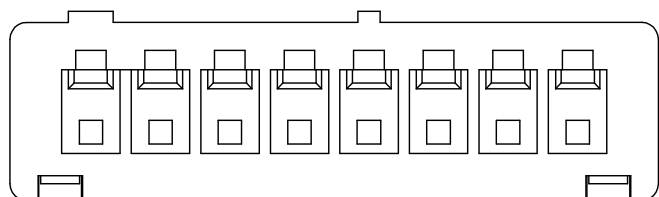
Type: _____
H-Hosing T-Terminal
S-Straight male pin
R-Right angle male pin
VM-Vertical SMT Pin
RM-Horizontal SMT Pin

Material:

Housing: PA66, UL94V-0, Color: Gray

Electrical Characteristics:

Current rating: 1.0A AC, DC
Voltage rating: 150V AC, DC
Temperature range: -35°C ~ +85°C
Insulation resistance: 100MΩ/Min.
Withstanding voltage: 500V AC/minute
Contact resistance: 30mΩ/Max.



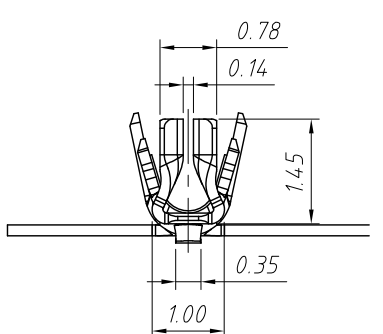
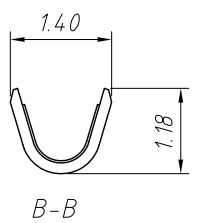
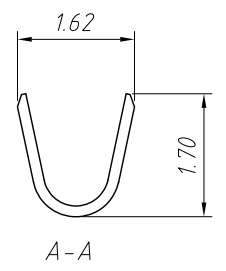
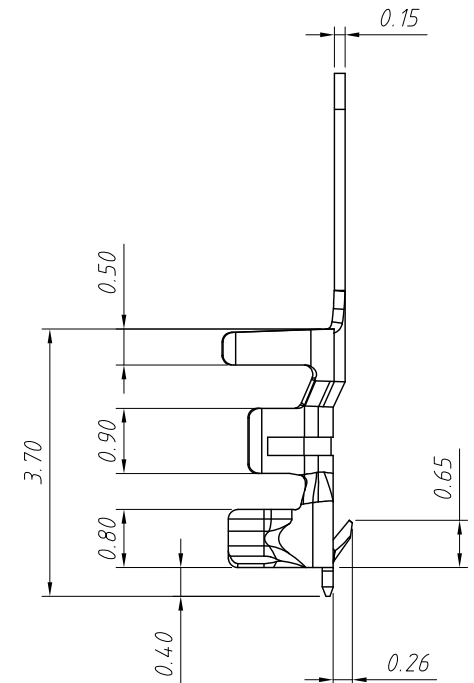
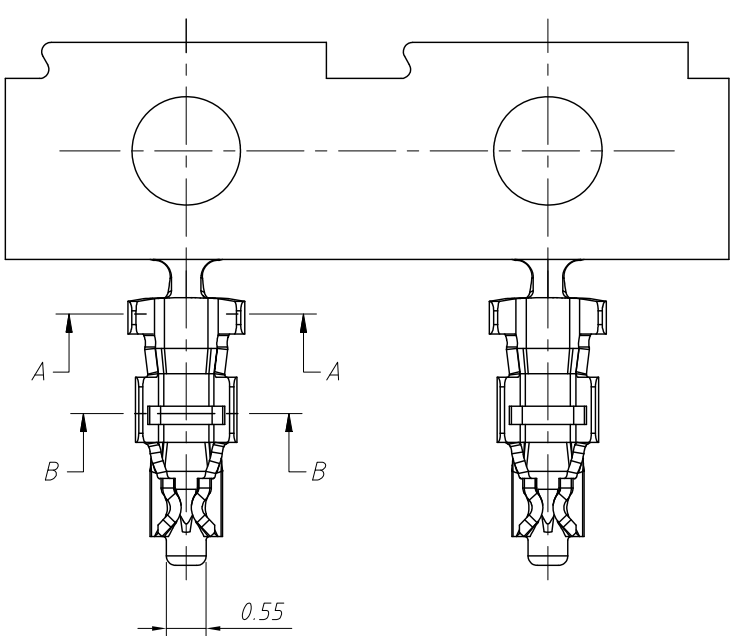
ANGLE TOLERANCE	PROJECTION		Description:
±3°			1.25mm Pitch DF13 type Wire to board connector Single row
GENERAL TOLERANCE	UNITS	mm	KLS P/N:
x.x ±0.30	SHEET SIZE	A4	L-KLS1-XL4-1.25-1-XX-H
x.xx ±0.20	Draw:	Daniel	2020-11-11
x.xxx ±0.10	Check:	Daniel	2020-11-11



NingBo KLS ELECTRONIC CO., L TD.

1 2 3 4 5 6 7 8

1
RoHS Compliance

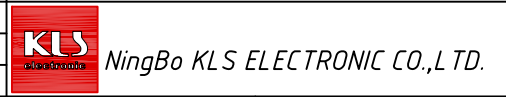


Material:
Terminal: Phosphor Bronze
Plating: Tin plated
Applicable wires: AWG #26 ~ #30
Insulation O.D.: 1.00mm Max
Qty/reel: 20000 pcs

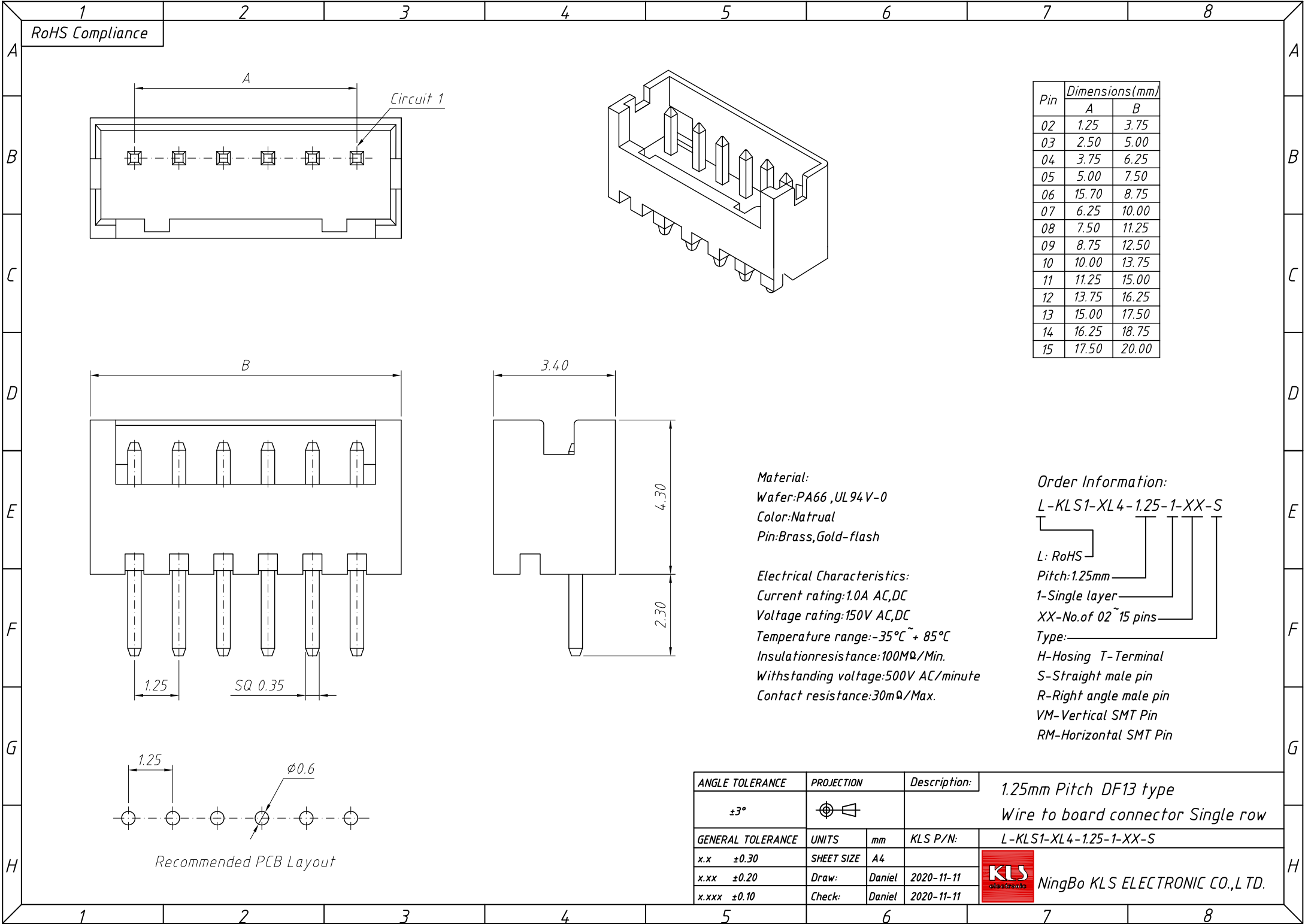
Electrical Characteristics:
Current rating: 1.0A AC,DC
Voltage rating: 150V AC,DC
Temperature range: -35°C ~ +85°C
Insulation resistance: 100MΩ/Min.
Withstanding voltage: 500V AC/minute
Contact resistance: 30mΩ/Max.

Order Information:
L-KLS1-XL4-1.25-T
L: RoHS
Pitch: 1.25mm
Type: H-Hosing T-Terminal
S-Straight male pin
R-Right angle male pin
VM-Vertical SMT Pin
RM-Horizontal SMT Pin

ANGLE TOLERANCE	PROJECTION	Description:	1.25mm Pitch DF13 type
±3°			Wire to board connector Single row
GENERAL TOLERANCE	UNITS	mm	KLS P/N:
x.x ±0.30	SHEET SIZE	A4	L-KLS1-XL4-1.25-T
x.xx ±0.20	Draw:	Daniel	2020-11-11
x.xxx ±0.10	Check:	Daniel	2020-11-11



1
RoHS Compliance



Pin	Dimensions(mm)	
	A	B
02	1.25	3.75
03	2.50	5.00
04	3.75	6.25
05	5.00	7.50
06	15.70	8.75
07	6.25	10.00
08	7.50	11.25
09	8.75	12.50
10	10.00	13.75
11	11.25	15.00
12	13.75	16.25
13	15.00	17.50
14	16.25	18.75
15	17.50	20.00

Material:
 Wafer: PA66, UL94V-0
 Color: Natrual
 Pin: Brass, Gold-flash

Electrical Characteristics:
 Current rating: 1.0A AC, DC
 Voltage rating: 150V AC, DC
 Temperature range: -35°C ~ + 85°C
 Insulation resistance: 100MΩ/Min.
 Withstanding voltage: 500V AC/minute
 Contact resistance: 30mΩ/Max.

Order Information:
 L-KLS1-XL4-1.25-1-XX-S

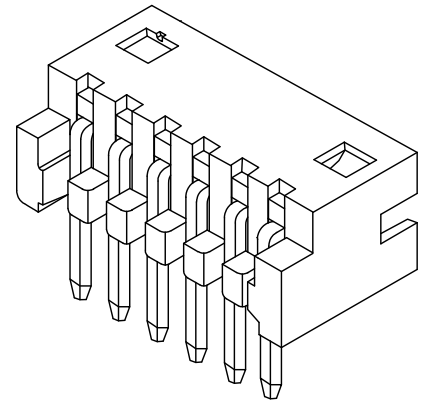
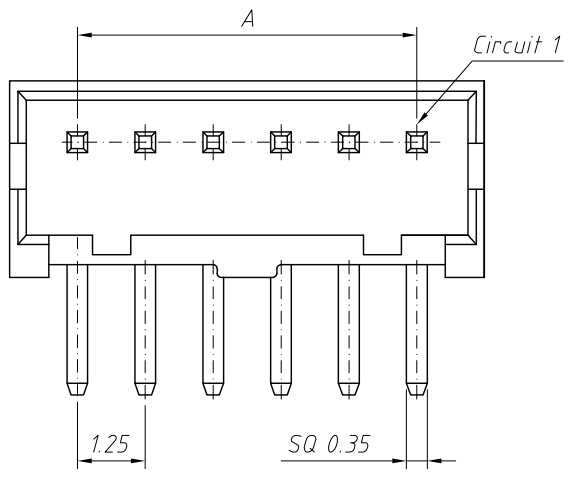
L: RoHS
 Pitch: 1.25mm
 1-Single layer
 XX-No. of 02~15 pins
 Type: _____
 H-Hosing T-Terminal
 S-Straight male pin
 R-Right angle male pin
 VM-Vertical SMT Pin
 RM-Horizontal SMT Pin

ANGLE TOLERANCE	PROJECTION	Description:
±3°		1.25mm Pitch DF13 type Wire to board connector Single row
GENERAL TOLERANCE	UNITS	mm
x.x ±0.30	SHEET SIZE	A4
x.xx ±0.20	Draw:	Daniel 2020-11-11
x.xxx ±0.10	Check:	Daniel 2020-11-11

KLS NingBo KLS ELECTRONIC CO.,L TD.

1 RoHS Compliance

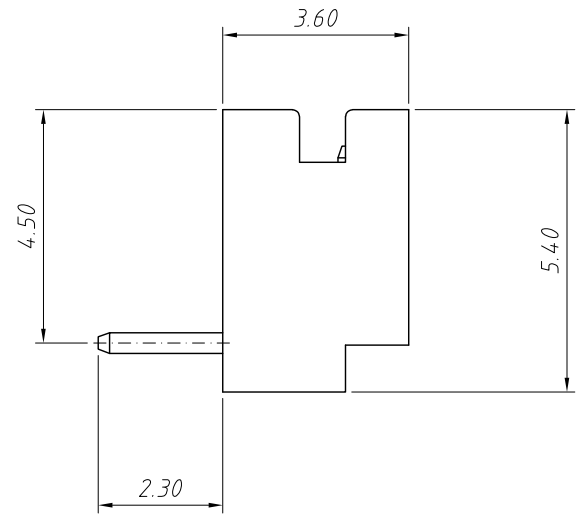
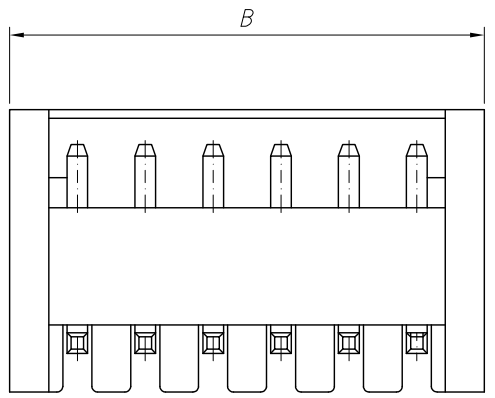
A
B
C
D
E
F
G
H



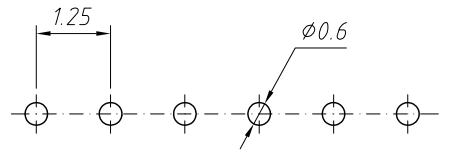
Material:
 Wafer: PA66, UL94 V-0
 Color: Natural
 Pin: Brass, Tin-plated

Electrical Characteristics:
 Current rating: 1.0A AC, DC
 Voltage rating: 150V AC, DC
 Temperature range: -35°C ~ +85°C
 Insulation resistance: 100MΩ/Min.
 Withstanding voltage: 500V AC/minute
 Contact resistance: 30mΩ/Max.

Pin	Dimensions (mm)	
	A	B
02	1.25	3.75
03	2.50	5.00
04	3.75	6.25
05	5.00	7.50
06	15.70	8.75
07	6.25	10.00
08	7.50	11.25
09	8.75	12.50
10	10.00	13.75
11	11.25	15.00
12	13.75	16.25
13	15.00	17.50
14	16.25	18.75
15	17.50	20.00



Order Information:
 L-KLS1-XL4-1.25-1-XX-R
 L: RoHS
 Pitch: 1.25mm
 1-Single layer
 XX-No. of 02~15 pins
 Type:
 H-Hosing T-Terminal
 S-Straight male pin
 R-Right angle male pin
 VM-Vertical SMT Pin
 RM-Horizontal SMT Pin



Recommended PCB Layout

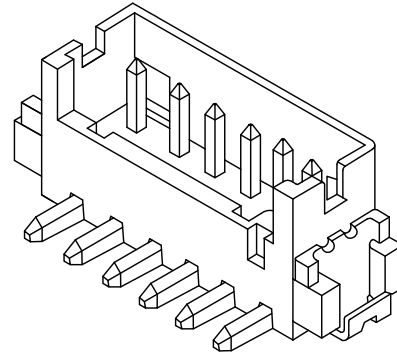
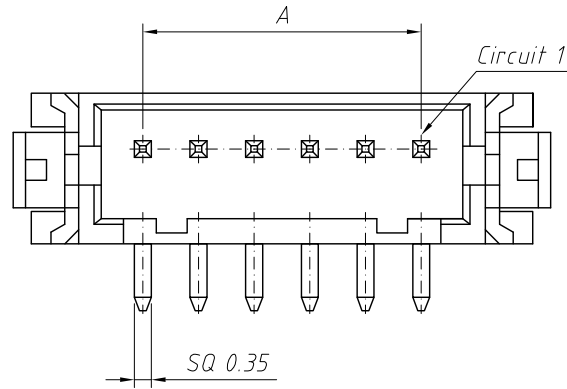
ANGLE TOLERANCE	PROJECTION	Description:	1.25mm Pitch DF13 type
±3°			Wire to board connector Single row
GENERAL TOLERANCE	UNITS	mm	KLS P/N:
x.x ±0.30	SHEET SIZE	A4	L-KLS1-XL4-1.25-1-XX-R
x.xx ±0.20	Draw:	Daniel	2020-11-11
x.xxx ±0.10	Check:	Daniel	2020-11-11



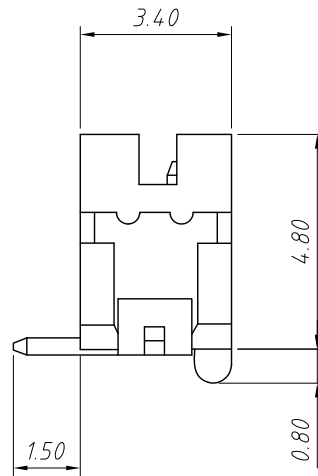
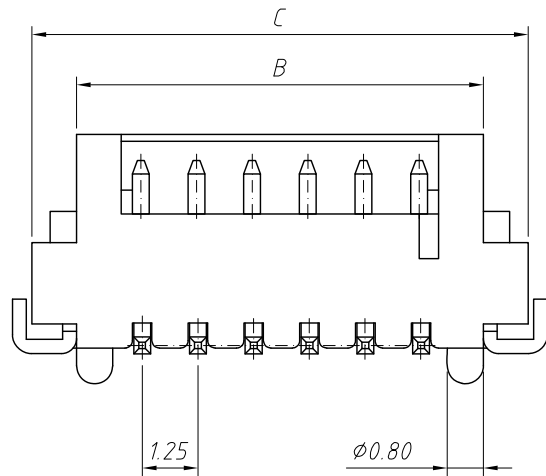
NingBo KLS ELECTRONIC CO.,L TD.

1 2 3 4 5 6 7 8

RoHS Compliance



Pin	Dimensions(mm)		
	A	B	C
02	1.25	4.15	6.25
03	2.50	5.40	7.50
04	3.75	6.65	8.75
05	5.00	7.90	10.00
06	15.70	9.15	11.25
07	6.25	10.40	12.50
08	7.50	11.65	13.75
09	8.75	12.90	15.00
10	10.00	14.15	16.25
11	11.25	15.40	17.50
12	13.75	16.65	18.75
13	15.00	17.90	20.00
14	16.25	19.15	21.25
15	17.50	20.40	22.50

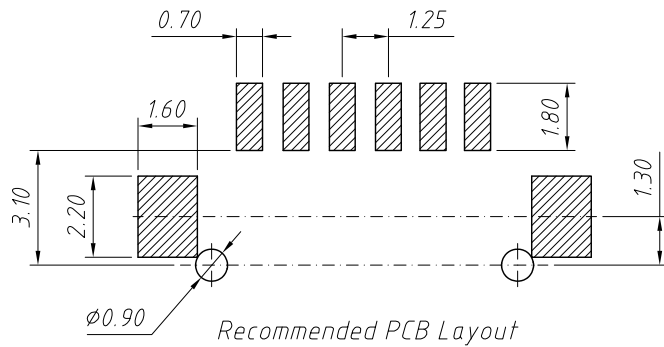
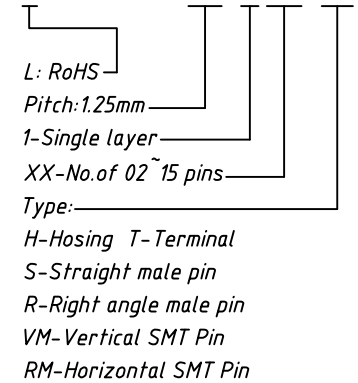


Material:
 Wafer: PA6T, UL94V-0, Color: Natural
 Pin: Brass, Tin-plated
 Solder Tabs: Phosphor Bronze, Tin-plated

Electrical Characteristics:
 Current rating: 1.0A AC, DC
 Voltage rating: 150V AC, DC
 Temperature range: -35°C ~ +85°C
 Insulation resistance: 100MΩ/Min.
 Withstanding voltage: 500V AC/minute
 Contact resistance: 30mΩ/Max.

Order Information:

L-KLS1-XL4-1.25-1-XX-VM

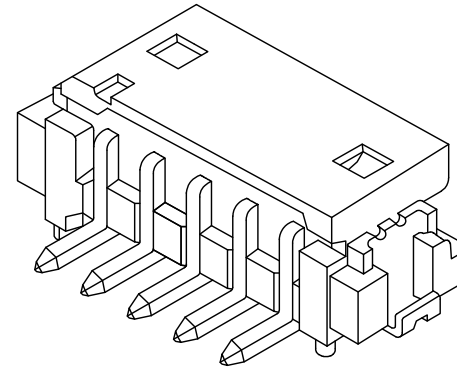
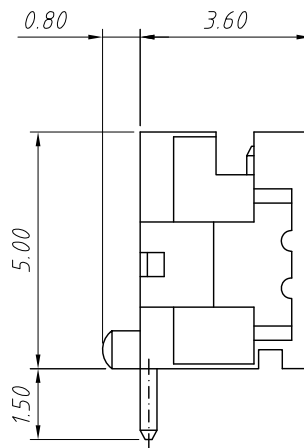
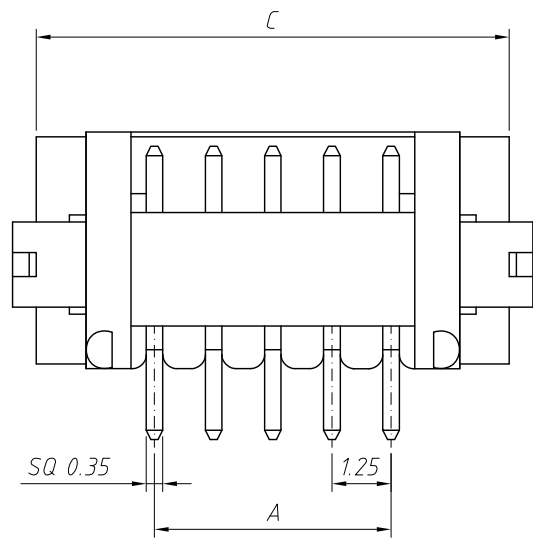
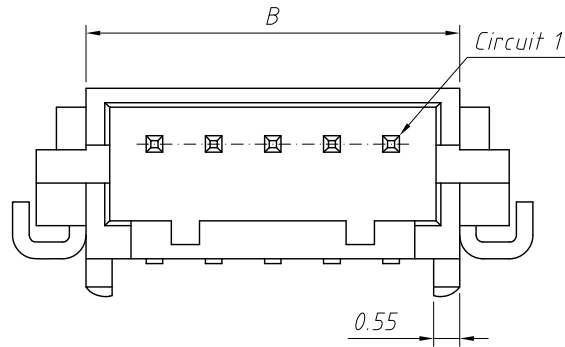


ANGLE TOLERANCE	PROJECTION	Description:
±3°		1.25mm Pitch DF13 type Wire to board connector Single row
GENERAL TOLERANCE	UNITS	mm
x.x ±0.30	SHEET SIZE	A4
x.xx ±0.20	Draw:	Daniel 2020-11-11
x.xxx ±0.10	Check:	Daniel 2020-11-11



NingBo KLS ELECTRONIC CO., L TD.

RoHS Compliance



Pin	Dimensions(mm)		
	A	B	C
02	1.25	4.15	6.25
03	2.50	5.40	7.50
04	3.75	6.65	8.75
05	5.00	7.90	10.00
06	15.70	9.15	11.25
07	6.25	10.40	12.50
08	7.50	11.65	13.75
09	8.75	12.90	15.00
10	10.00	14.15	16.25
11	11.25	15.40	17.50
12	13.75	16.65	18.75
13	15.00	17.90	20.00
14	16.25	19.15	21.25
15	17.50	20.40	22.50

Material:

Wafer:PA6T,UL94V-0

Color:Natural

Pin:Brass,Tin-plated

Solder Tabs:Phosphor Bronze,Tin-plated

Electrical Characteristics:

Current rating:1.0A AC,DC

Voltage rating:150V AC,DC

Temperature range:-35°C ~ + 85°C

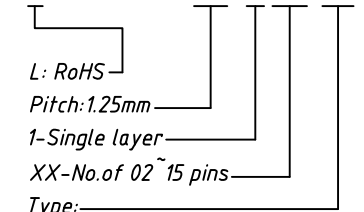
Insulation resistance:100MΩ/Min.

Withstanding voltage:500V AC/minute

Contact resistance:30mΩ/Max.

Order Information:

L-KLS1-XL4-1.25-1-XX-RM



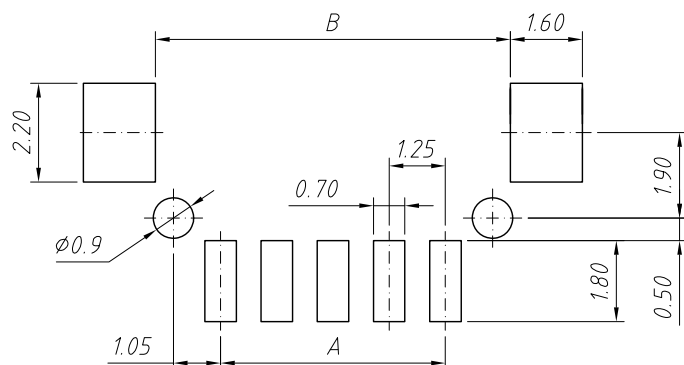
H-Hosing T-Terminal

S-Straight male pin

R-Right angle male pin

VM-Vertical SMT Pin

RM-Horizontal SMT Pin



Recommended PCB Layout

ANGLE TOLERANCE	PROJECTION	Description:
±3°		1.25mm Pitch DF13 type Wire to board connector Single row
GENERAL TOLERANCE	UNITS	mm
x.x ±0.30	SHEET SIZE	A4
x.xx ±0.20	Draw:	Daniel 2020-11-11
x.xxx ±0.10	Check:	Daniel 2020-11-11



NingBo KLS ELECTRONIC CO.,LTD.