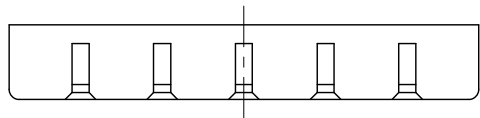


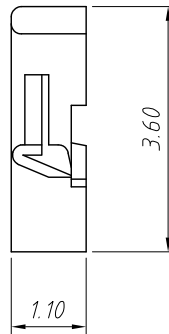
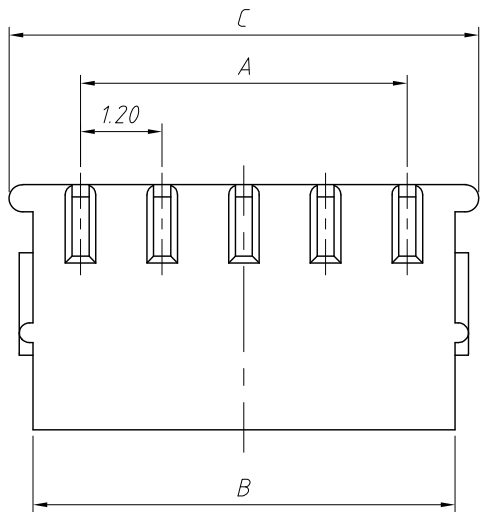
1
RoHS Compliance



Poles	Dimensions(mm)		
	A	B	C
02	1.20	2.60	3.30
03	2.40	3.80	4.50
04	3.60	5.00	5.70
05	4.80	6.20	6.90
06	6.00	7.40	8.10
07	7.20	8.60	9.30
08	8.40	9.80	10.50
09	9.60	11.00	11.70

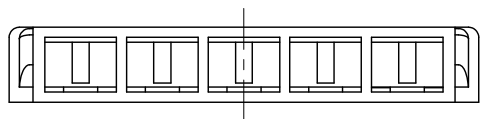
Material:
Housing:PBT ,UL94V-0
Color:B-Black W-White

Electrical Characteristics:
Current rating:1.0A AC,DC
Voltage rating:50V AC,DC
Temperature range:-25°C ~ + 85°C
Insulation resistance:100MΩ/Min.
Withstanding voltage:200V AC/minute
Contact resistance:20mΩ/Max.



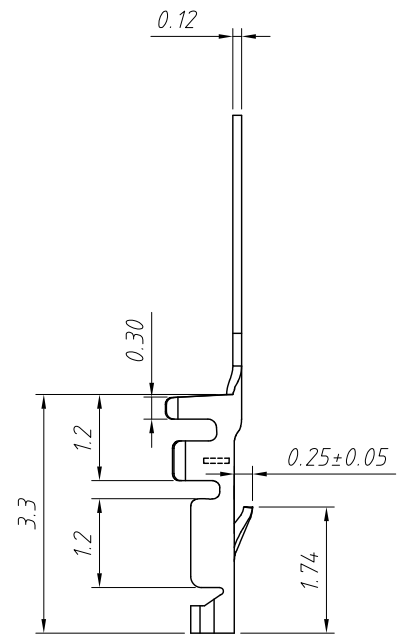
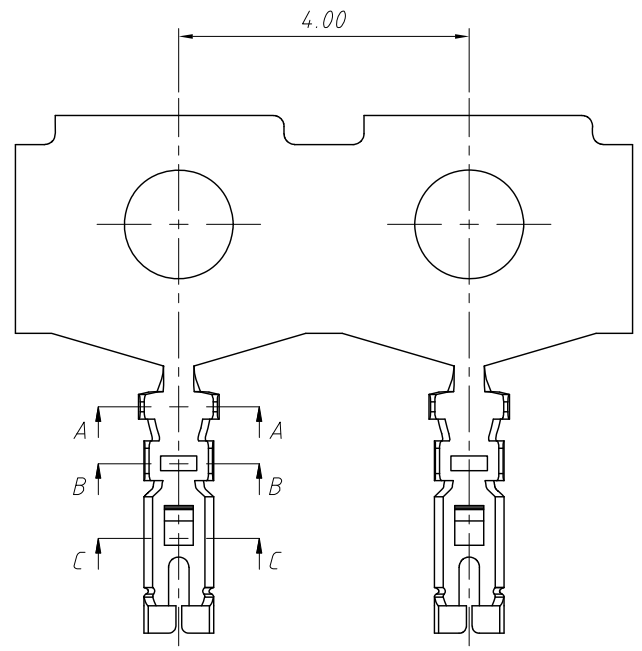
Order Information:
L-KLS1-XL4-1.20-XX-H-W

L: RoHS
1.20mm Pitch
XX-No. of 02~09pin
Type: T-Terminal
H-Hosing M=SMT Male pin
Color:W-White



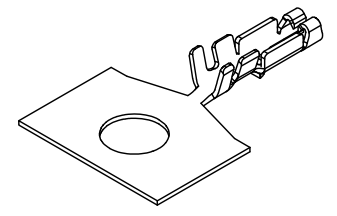
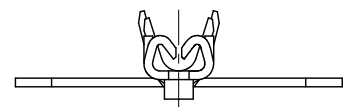
ANGLE TOLERANCE	PROJECTION	Description:	1.20mm Pitch CPL
±3°			Wire to board connector
GENERAL TOLERANCE	UNITS	mm	KLS P/N: L-KLS1-XL4-1.20-XX-H-W
x.x ±0.30	SHEET SIZE	A4	NingBo KLS ELECTRONIC CO.,L TD.
x.xx ±0.20	Draw:	Daniel 2020-11-11	
x.xxx ±0.10	Check:	Daniel 2020-11-11	

1
RoHS Compliance

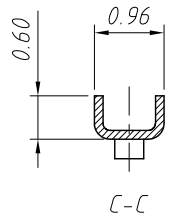
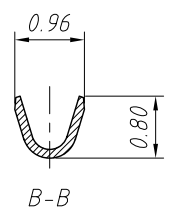
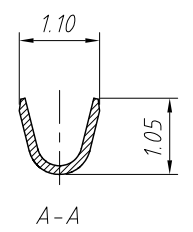


Material:
 Terminal: Phosphor Bronze
 Finish: Tin-plated Or Gold-plated
 Applicable wires: AWG #28 ~ #32
 Insulation O.D.: 0.8mm Max.
 Qty/reel: 20000 pcs

Electrical Characteristics:
 Current rating: 1.0A AC,DC
 Voltage rating: 50V AC,DC
 Temperature range: -25°C ~ +85°C
 Insulation resistance: 100MΩ/Min.
 Withstanding voltage: 200V AC/minute
 Contact resistance: 20mΩ/Max.



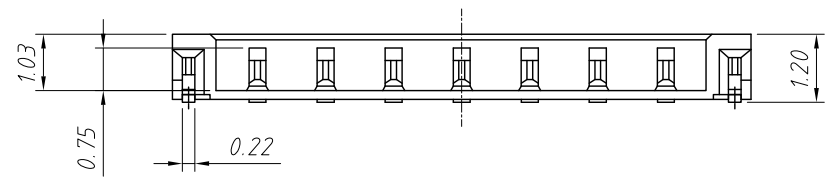
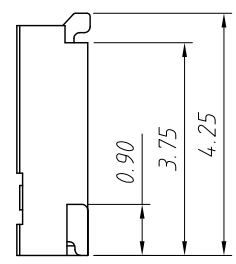
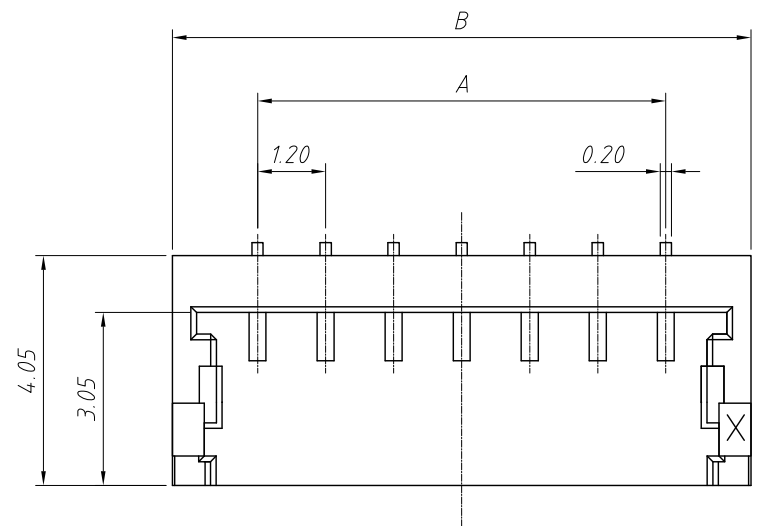
Order Information:
 L-KLS1-XL4-1.20-T
 L: RoHS
 1.20mm Pitch
 Type: T-Terminal
 H-Hosing M-SMT Male pin



ANGLE TOLERANCE	PROJECTION	Description:		
±3°		1.20mm Pitch Terminal		
GENERAL TOLERANCE	UNITS	mm	KLS P/N:	L-KLS1-XL4-1.20-T
x.x ±0.30	SHEET SIZE	A4		
x.xx ±0.20	Draw:	Daniel	2020-11-11	
x.xxx ±0.10	Check:	Daniel	2020-11-11	

NingBo KLS ELECTRONIC CO.,LTD.

1
RoHS Compliance



Material:
 Wafer: PA9T, UL94V-0
 Color: B-Black W-White
 PIN: Phosphor Bronze, Gold-plated
 Solder Tabs: Phosphor Bronze, Tin Plated

Electrical Characteristics:
 Current rating: 1.0A AC, DC
 Voltage rating: 50V AC, DC
 Temperature range: -25°C ~ +85°C
 Insulation resistance: 100MΩ/Min.
 Withstanding voltage: 200V AC/minute
 Contact resistance: 20mΩ/Max.

Poles	Dimensions (mm)	
	A	B
02	1.20	4.20
03	2.40	5.40
04	3.60	6.60
05	4.80	7.80
06	6.00	9.00
07	7.20	10.20
08	8.40	11.40
09	9.60	12.60

Order Information:
 L-KLS1-XL4-1.20-XX-M-W
 L: RoHS
 1.20mm Pitch
 XX-No. of 02~09pin
 Type: T-Terminal
 H-Hosing M=SMT Male pin
 Color: W-White

ANGLE TOLERANCE	PROJECTION	Description:	1.20mm Pitch CPL Wire to board connector
±3°			
GENERAL TOLERANCE	UNITS	mm	KLS P/N: L-KLS1-XL4-1.20-XX-M-W
x.x ±0.30	SHEET SIZE	A4	
x.xx ±0.20	Draw:	Daniel	2020-11-11
x.xxx ±0.10	Check:	Daniel	2020-11-11



NingBo KLS ELECTRONIC CO.,L TD.