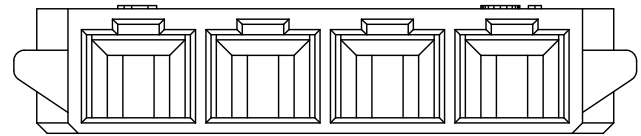
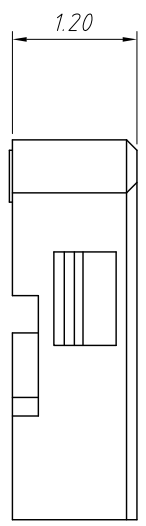
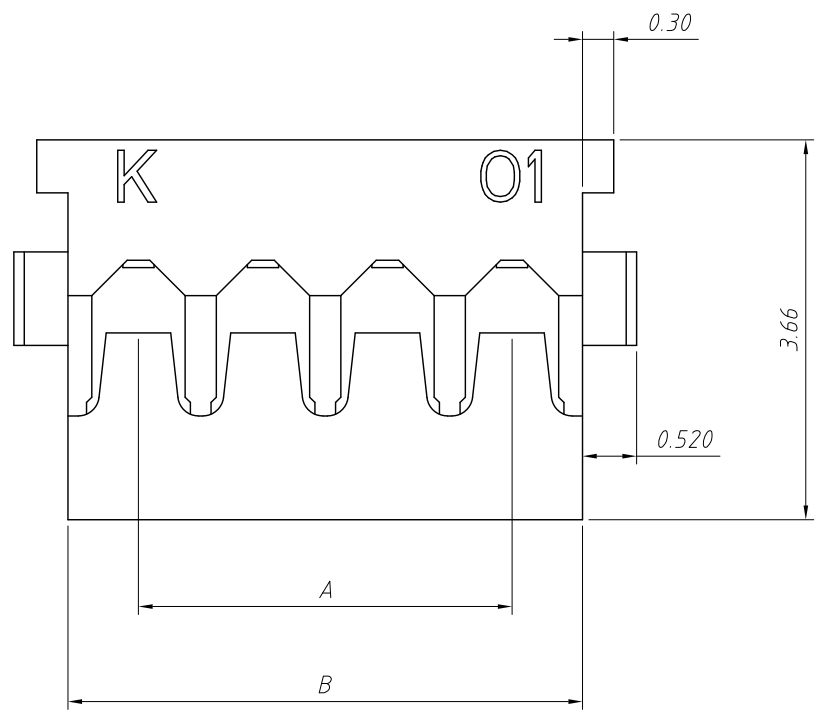
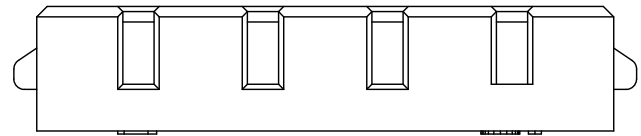


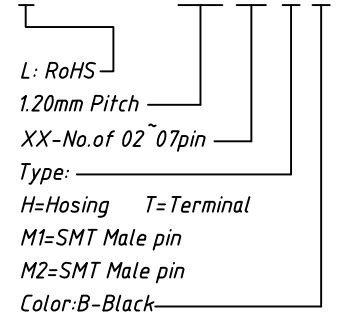
1
RoHS Compliance



Material:
Housing:Nylon46 ,UL 94V-0,
Colour:Black

Electrical Characteristics:
Current rating:1.5A AC,DC
Voltage rating:50V AC,DC
Temperature range:-25°C ~ + 85°C
Insulationresistance:100MΩ/Min.
Withstanding voltage:500V AC/minute
Contact resistance:20mΩ/Max.

Order Information:
L-KLS1-XL1-1.20-XX-H-B



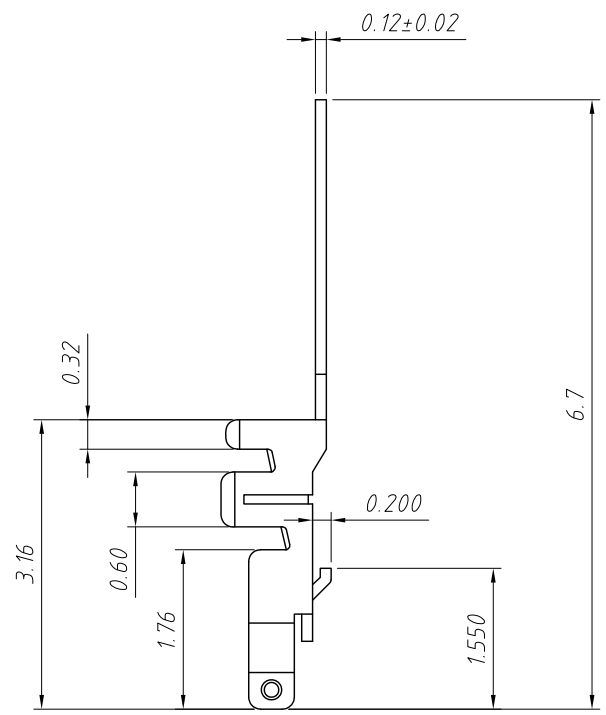
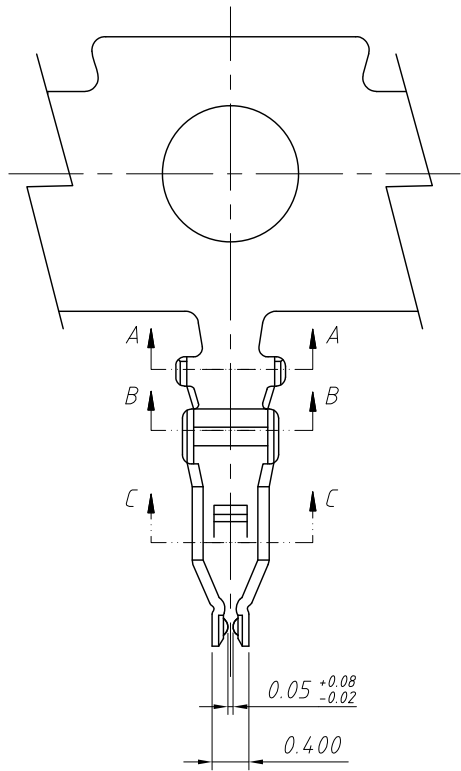
PIN.	Dimensions	
	A	B
02	1.20	2.60
03	2.40	3.80
04	3.60	5.00
05	4.80	6.20
06	6.00	7.40
07	7.20	8.60

ANGLE TOLERANCE	PROJECTION	Description:	1.20mm Pitch 78171 78172
±3°			Wire to board connector
GENERAL TOLERANCE	UNITS	mm	KLS P/N:
x.x ±0.30	SHEET SIZE	A4	L-KLS1-XL1-1.20-XX-H-B
x.xx ±0.20	Draw:	Daniel	2020-11-11
x.xxx ±0.10	Check:	Daniel	2020-11-11



NingBo KLS ELECTRONIC CO.,L TD.

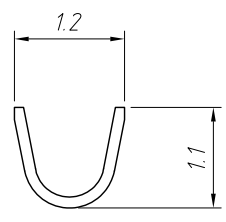
1
RoHS Compliance



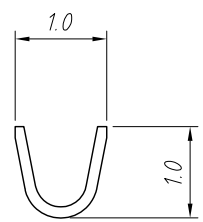
Material:
Terminal: Phosphor Bronze
Finish: Gold-flash over Nickel
Insulation O.D.: 0.70mm MAX
Applicable Wires: AWG#30~#28

Electrical Characteristics:
Current rating: 1.5A AC,DC
Voltage rating: 50V AC,DC
Temperature range: -25°C ~ +85°C
Insulation resistance: 100MΩ/Min.
Withstanding voltage: 500V AC/minute
Contact resistance: 20mΩ/Max.

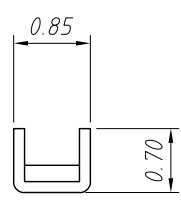
Order Information:
L-KLS1-XL1-1.20-T
 L: RoHS
 1.20mm Pitch
 Type:
 H=Hosing T=Terminal
 M1=SMT Male pin
 M2=SMT Male pin



A-A



B-B



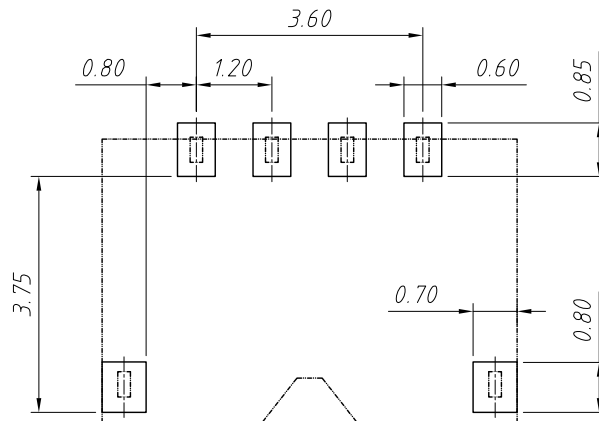
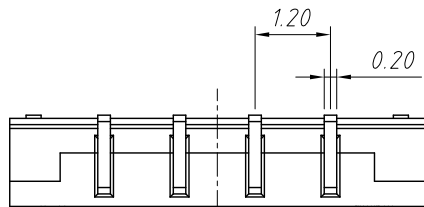
C-C

ANGLE TOLERANCE	PROJECTION	Description:	1.20mm Pitch 78171 78172
±3°			Wire to board connector
GENERAL TOLERANCE	UNITS	mm	KLS P/N:
x.x ±0.30	SHEET SIZE	A4	L-KLS1-XL1-1.20-T
x.xx ±0.20	Draw:	Daniel	2020-11-11
x.xxx ±0.10	Check:	Daniel	2020-11-11



NingBo KLS ELECTRONIC CO.,LTD.

1 RoHS Compliance



Recommended PCB Layout
Total Tolerance ±0.05mm

Material:

Insulator: PA9T UL94V-0, Black

Contact: Phosphor bronze, Gold Flash

Fitting Nail: Brass, Matte tin plated

Electrical Characteristics:

Current rating: 1.5A AC, DC

Voltage rating: 50V AC, DC

Temperature range: -25°C ~ +85°C

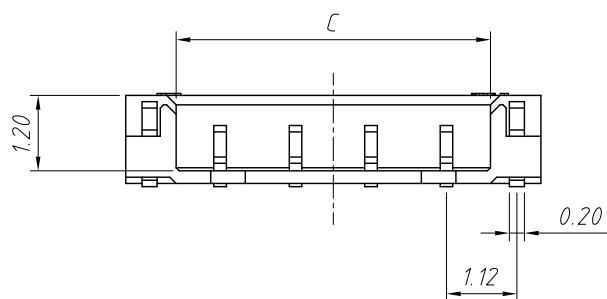
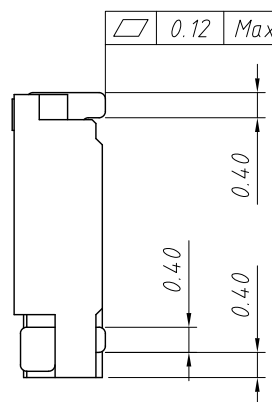
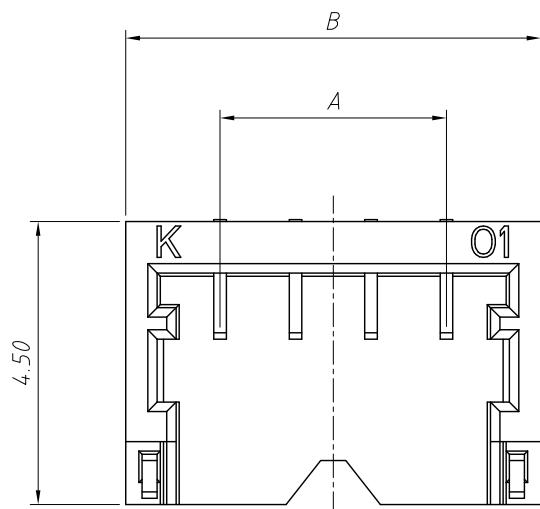
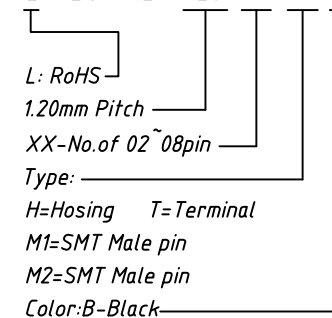
Insulation resistance: 100MΩ/Min.

Withstanding voltage: 500V AC/minute

Contact resistance: 20mΩ/Max.

Order Information:

L-KLS1-XL1-1.20-XX-M1-B



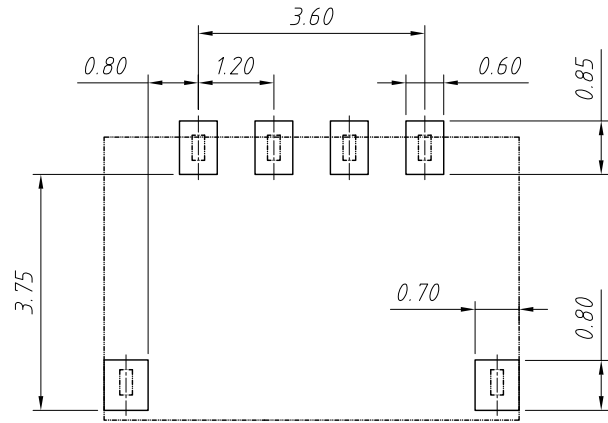
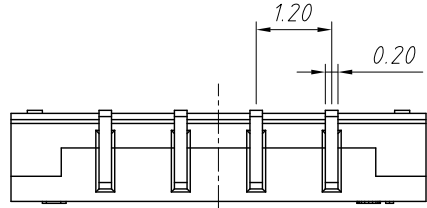
PIN.	Dimensions (mm)		
	A	B	C
02	1.20	4.30	2.64
03	2.40	5.50	3.84
04	3.60	6.70	5.04
05	4.80	7.90	6.24
06	6.00	9.10	7.44
07	7.20	10.30	8.64
08	8.40	11.50	9.84

ANGLE TOLERANCE	PROJECTION	Description:	1.20mm Pitch 78171 78172
±3°			Wire to board connector
GENERAL TOLERANCE	UNITS	mm	KLS P/N:
x.x ±0.30	SHEET SIZE	A4	L-KLS1-XL1-1.20-XX-M1-B
x.xx ±0.20	Draw:	Daniel	2020-11-11
x.xxx ±0.10	Check:	Daniel	2020-11-11

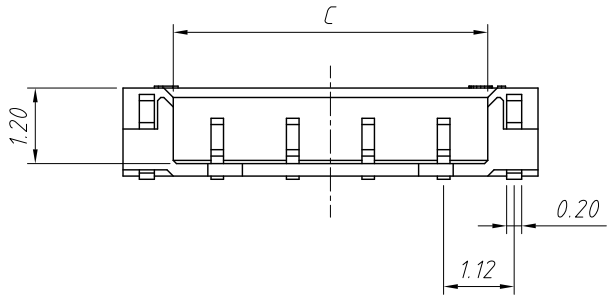
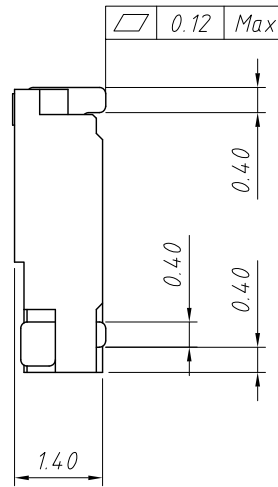
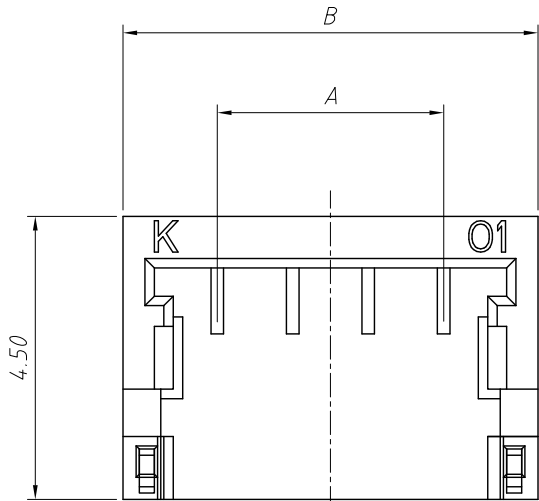


NingBo KLS ELECTRONIC CO.,L TD.

1 RoHS Compliance



Recommended PCB Layout
Total Tolerance ±0.05mm

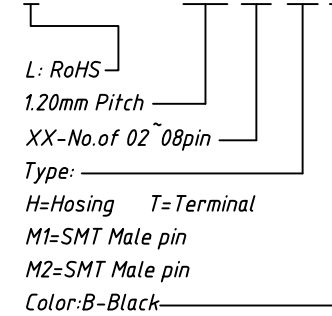


Material:
 Insulator: PA9T UL94V-0,Black
 Contact: Phosphor bronze,Gold Flash
 Fitting Nail: Brass,Matte tin plated

Electrical Characteristics:
 Current rating:1.5A AC,DC
 Voltage rating:50V AC,DC
 Temperature range:-25°C ~ +85°C
 Insulation resistance:100MΩ/Min.
 Withstanding voltage:500V AC/minute
 Contact resistance:20mΩ/Max.

Order Information:

L-KLS1-XL1-1.20-XX-M2-B



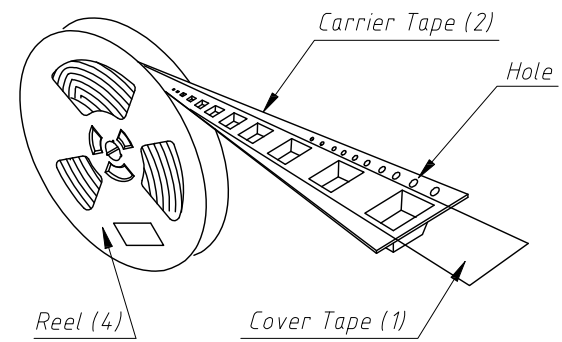
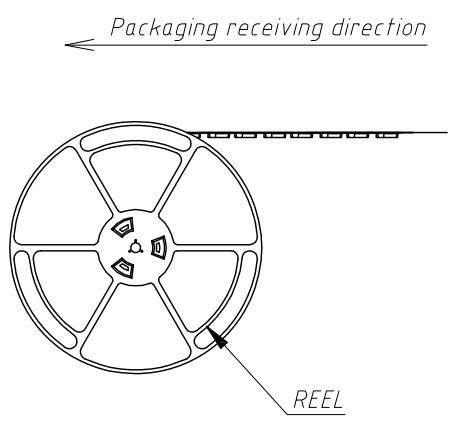
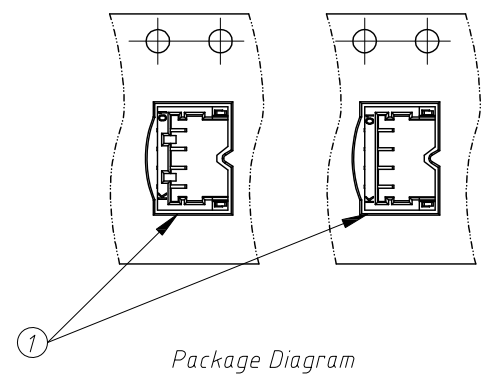
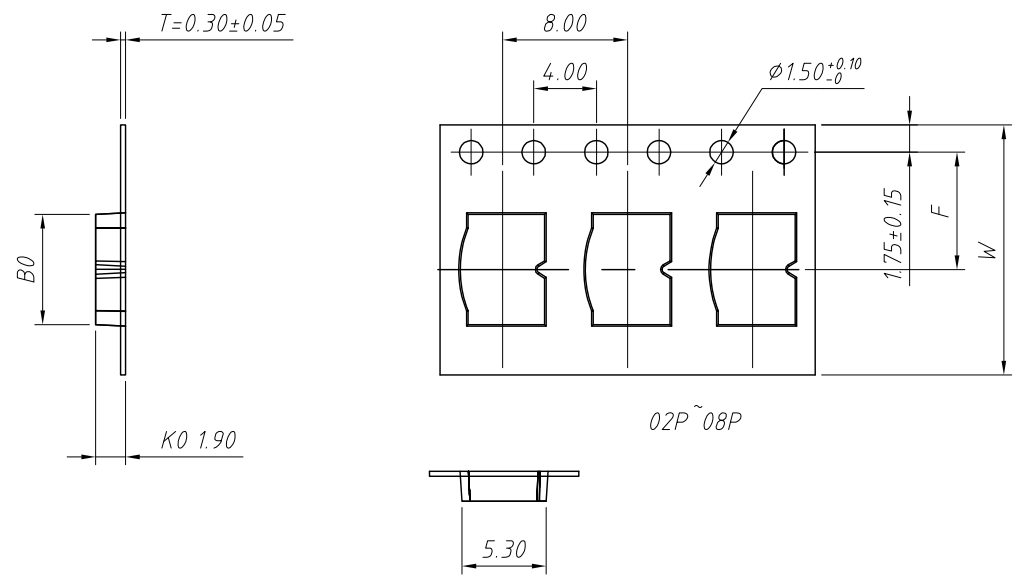
PIN.	Dimensions(mm)		
	A	B	C
02	1.20	4.30	2.64
03	2.40	5.50	3.84
04	3.60	6.70	5.04
05	4.80	7.90	6.24
06	6.00	9.10	7.44
07	7.20	10.30	8.64
08	8.40	11.50	9.84

ANGLE TOLERANCE	PROJECTION	Description:	1.20mm Pitch 78171 78172
±3°			Wire to board connector
GENERAL TOLERANCE	UNITS	mm	KLS P/N:
x.x ±0.30	SHEET SIZE	A4	L-KLS1-XL1-1.20-XX-M2-B
x.xx ±0.20	Draw:	Daniel	2020-11-11
x.xxx ±0.10	Check:	Daniel	2020-11-11



NingBo KLS ELECTRONIC CO.,L TD.

1
RoHS Compliance



PIN.	Dimensions(mm)			Qty/Box
	W±0.3	F±0.15	B0	
02	12.0	5.50	4.60	25×3000
03	16.0	7.50	5.60	20×3000
04	16.0	7.50	7.05	20×3000
05	16.0	7.50	8.20	20×3000
06	24.0	11.50	9.40	14×3000
07	24.0	11.50	10.60	14×3000
08	24.0	11.50	11.80	14×3000

ANGLE TOLERANCE	PROJECTION	Description:	
$\pm 3^\circ$		Series packaging drawing	
GENERAL TOLERANCE	UNITS	mm	KLS P/N:
x.x ± 0.30	SHEET SIZE	A4	L-KLS1-XL1-1.20-XX PACK
x.xx ± 0.20	Draw:	Daniel	2020-11-11
x.xxx ± 0.10	Check:	Daniel	2020-11-11

NingBo KLS ELECTRONIC CO.,LTD.