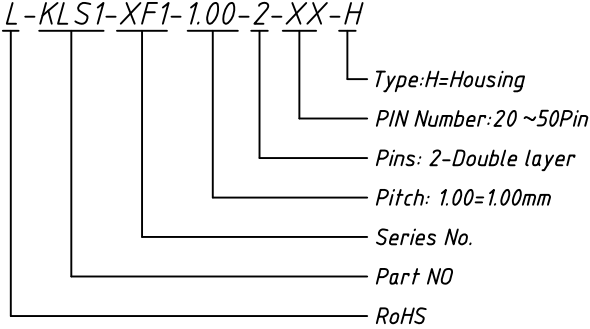


Circuit	Dimensions(mm)	
	A	B
20	9.0	13.0
30	14.0	18.0
40	19.0	23.0
50	24.0	28.0

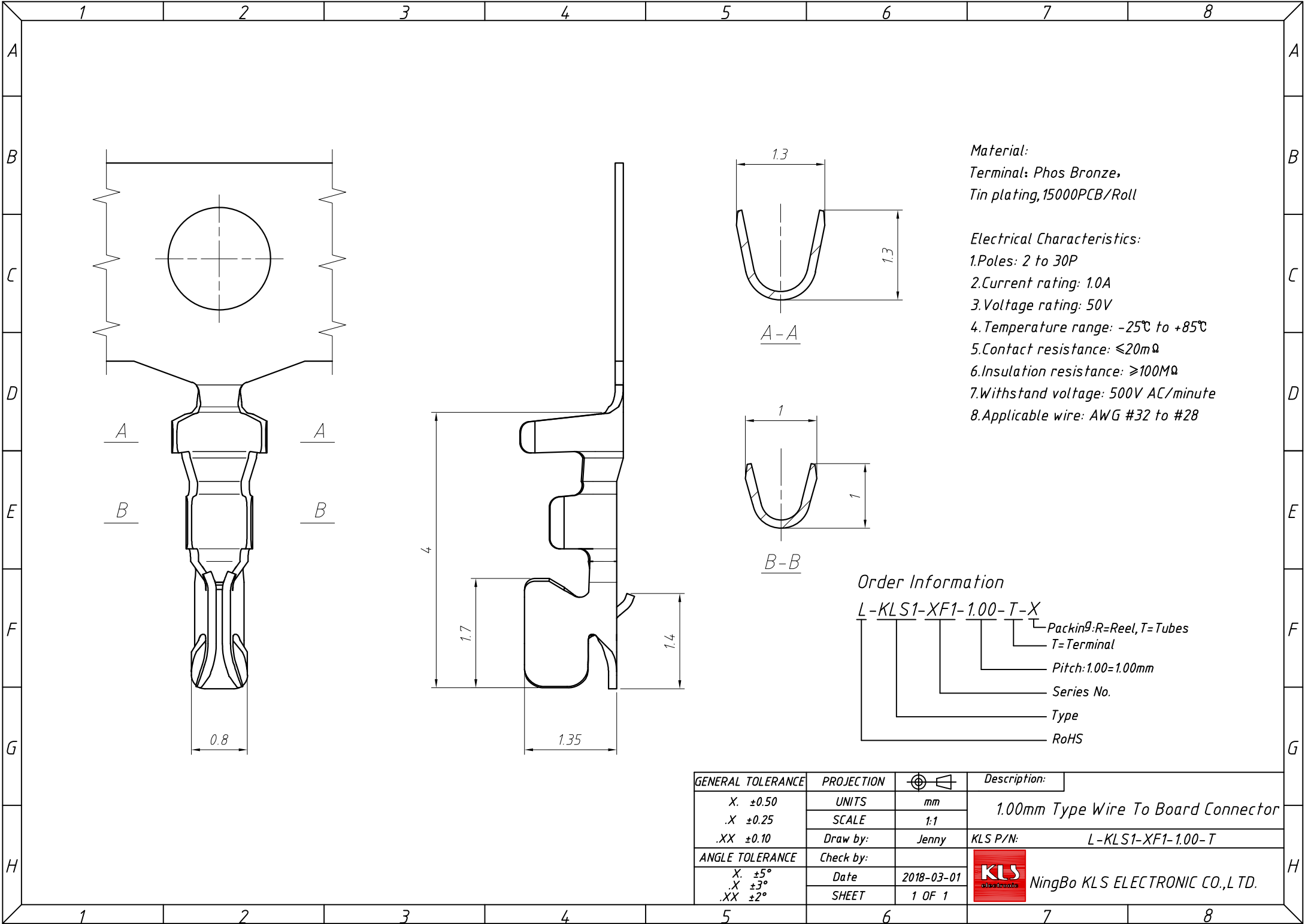
- Electrical Characteristics:**
- 1.Poles:20 to 50P
 - 2.Current rating: 1.0A
 - 3.Voltage rating: 50V
 - 4.Temperature range: -25°C to +85°C
 - 5.Contact resistance: $\leq 20m\Omega$
 - 6.Insulation resistance: $\geq 100M\Omega$
 - 7.Withstand voltage: 500V AC/minute
 - 8.Applicable wire: AWG #32 to #28

Material:
Housing:PBT(UL 94V-0/V-2),White

Order Information



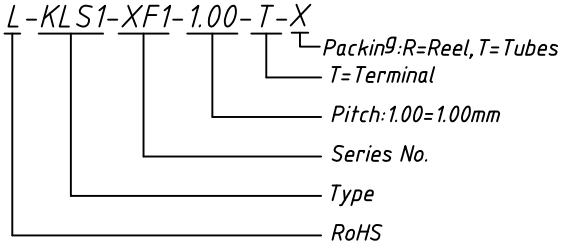
GENERAL TOLERANCE	PROJECTION		Description:
.X. ± 0.50	UNITS	mm	1.00mm Type Wire To Board Connector
.X ± 0.25	SCALE	1:1	
.XX ± 0.10	Draw by:	Jenny	
ANGLE TOLERANCE	Check by:		KLS P/N: L-KLS1-XF1-1.00-2-XX-H
.X. $\pm 5^\circ$	Date	2018-03-01	NingBo KLS ELECTRONIC CO.,L TD.
.X $\pm 3^\circ$	SHEET	1 OF 1	
.XX $\pm 2^\circ$			



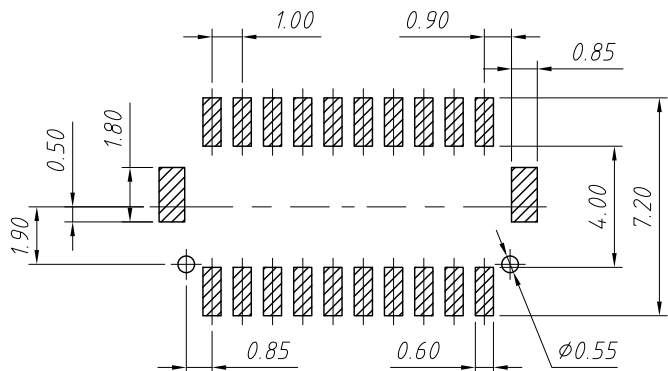
Material:
Terminal: Phos Bronze,
Tin plating, 15000PCB/Roll

- Electrical Characteristics:**
1. Poles: 2 to 30P
 2. Current rating: 1.0A
 3. Voltage rating: 50V
 4. Temperature range: -25°C to +85°C
 5. Contact resistance: $\leq 20m\Omega$
 6. Insulation resistance: $\geq 100M\Omega$
 7. Withstand voltage: 500V AC/minute
 8. Applicable wire: AWG #32 to #28

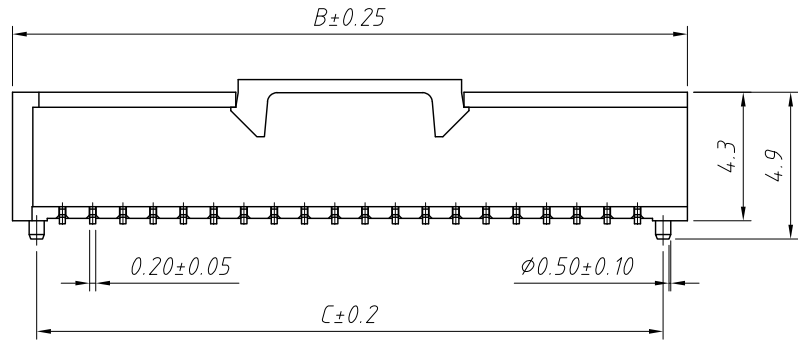
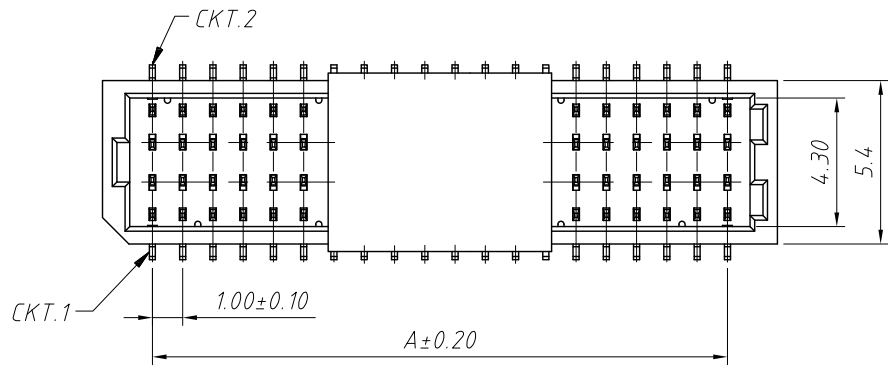
Order Information



GENERAL TOLERANCE	PROJECTION		Description:
X. ± 0.50	UNITS	mm	1.00mm Type Wire To Board Connector
.X ± 0.25	SCALE	1:1	
.XX ± 0.10	Draw by:	Jenny	
ANGLE TOLERANCE	Check by:		KLS P/N: L-KLS1-XF1-1.00-T
X. $\pm 5^\circ$	Date	2018-03-01	NingBo KLS ELECTRONIC CO.,L TD.
.X $\pm 3^\circ$	SHEET	1 OF 1	
.XX $\pm 2^\circ$			



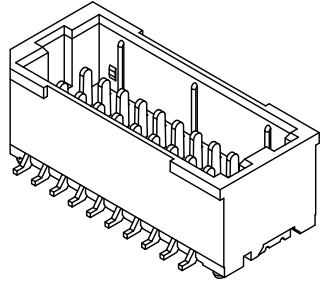
Recommend PCB Layout
All Tolerance: ± 0.1



Part NO.	Dimensions		
	A	B	B
05P	4.00	7.30	5.70
06P	5.00	8.30	6.70
08P	7.00	10.30	8.70
10P	9.00	12.30	10.70
15P	14.00	17.30	15.70
20P	19.00	22.30	20.70
25P	24.00	27.30	25.70

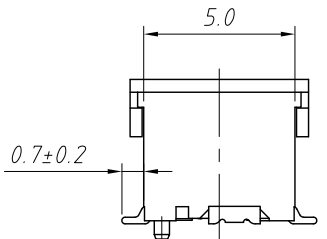
Material:
Insulator: PA6R UL 94V-0, Beige
Contacts: Copper alloy
Fitting nail: Copper alloy
Plating: Gold Plated

Electrical Specification:
Current rating: 1A AC DC
Voltage rating: 50V AC DC
Contact resistance: 20m Ω Max
Insulation resistance: 100M Ω Min
Withstanding Voltage: 500V AC/minute
Temperature range: -25 $^{\circ}$ C ~ +85 $^{\circ}$ C

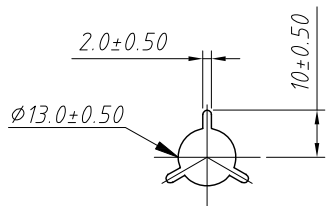
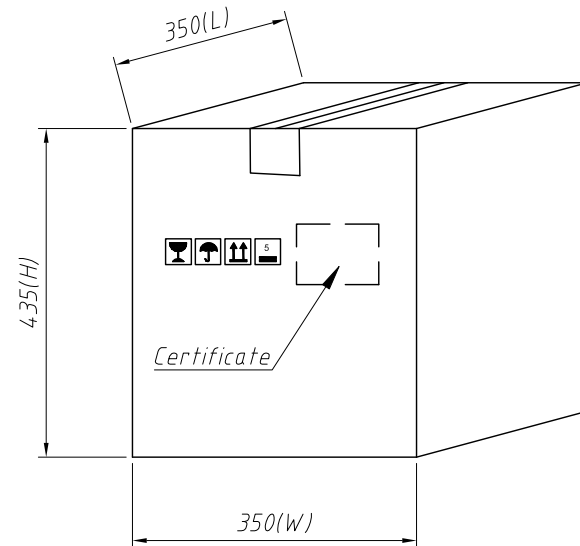
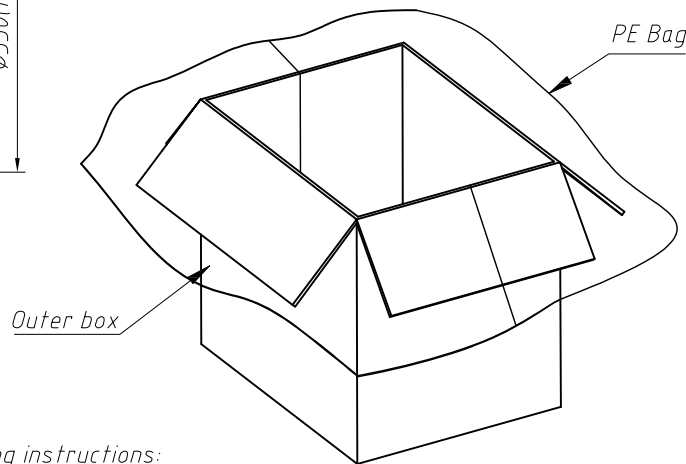
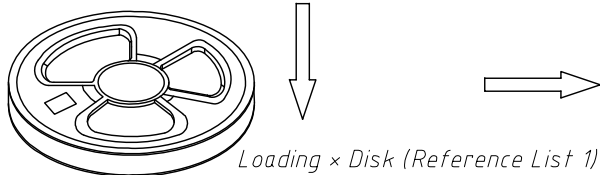
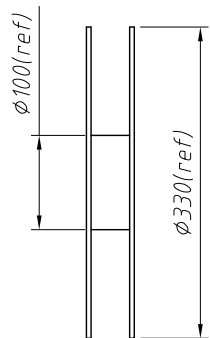
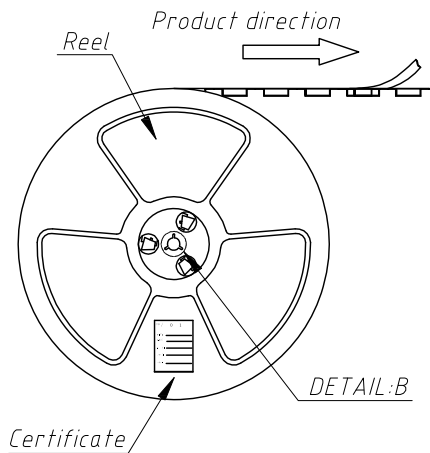
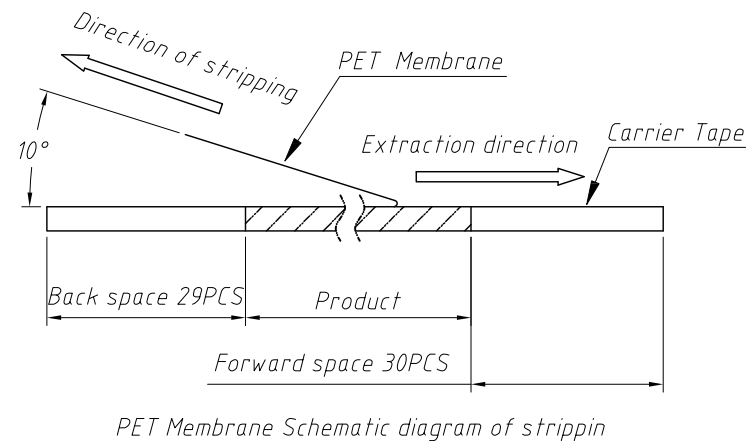
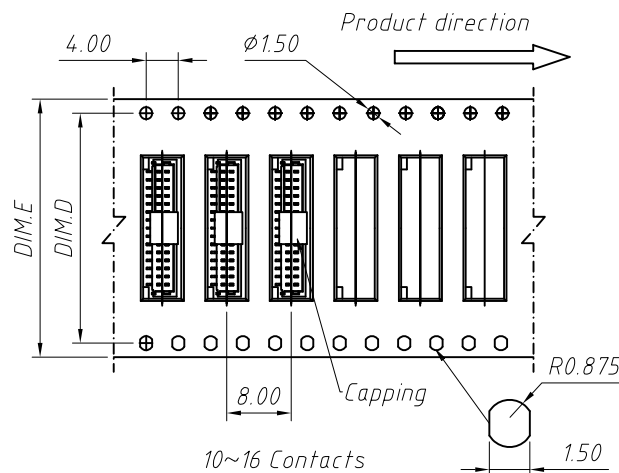
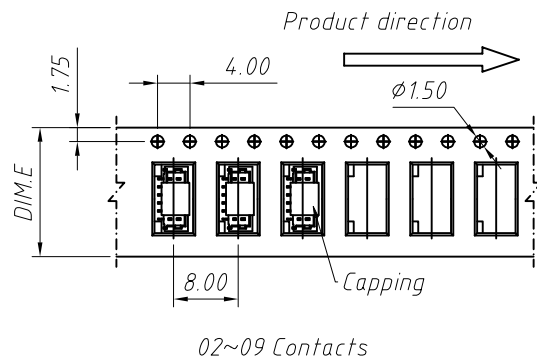


Order Information

L-KLS1-XF1-1.00-2-XX-VM-X-X
 ↳ RoHS
 ↳ Pitch: 1.00mm
 ↳ 2=Double layer
 ↳ Pin NO: 05~25
 ↳ SMT Straight Male pin
 ↳ A= With post, B=Without Post
 ↳ Packing: R=Reel T=Tubes



GENERAL TOLERANCE	PROJECTION		Description:
X. ± 0.30	UNITS	mm	Pitch 1.00mm
.X ± 0.20	SCALE	1:1	Vertical SMT Wafer, Double layer
.XX ± 0.10	Draw by:	Jenny	KLS P/N: L-KLS1-XF1-1.00-2-XX-VM
ANGLE TOLERANCE	Check by:		
X. $\pm 5^{\circ}$	Date	2018-03-01	NingBo KLS ELECTRONIC CO.,L TD.
.X $\pm 3^{\circ}$	SHEET	1 OF 1	
.XX $\pm 2^{\circ}$			



Packaging instructions:

Pack the finished products into reels, each with 1500 PCS.

The product will be packed by pasting a certificate on the reel.

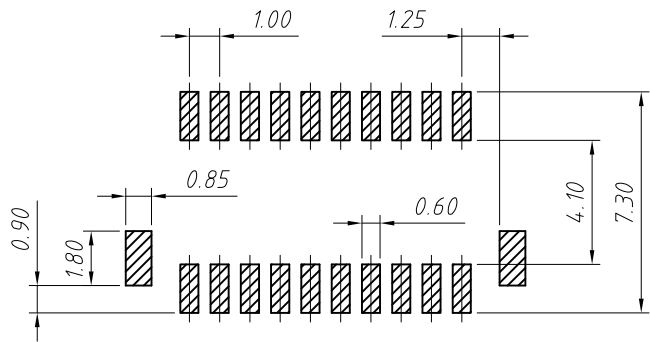
The reel is put into the outer box, and the outer box is fitted with one first.

Large PE bags with qualified certificates affixed on the outer case.

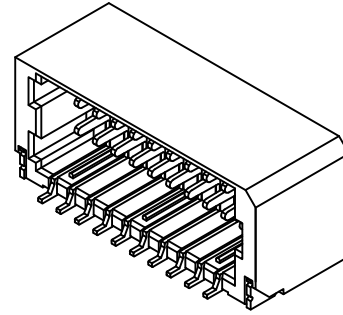
Large PE bags with qualified certificates affixed on the outer case.

Circuits	DIM.D	DIM.E	Q'ty/Reel	Packing Reel/Caron
02-05 PIN	--	16	1500 PCS	20/Reel
06-14 PIN	--	24	1500 PCS	15/Reel
15-18 PIN	28.4	32	1500 PCS	11/Reel

GENERAL TOLERANCE	PROJECTION		Description:
.X ± 0.30	UNITS	mm	Packaging Specification PITCH 1.00mm Vertical SMT
.X ± 0.20	SCALE	1:1	
.XX ± 0.10	Draw by:	Jenny	KLS P/N: L-KLS1-XF1-1.00-1-XX-VM
ANGLE TOLERANCE	Check by:		NingBo KLS ELECTRONIC CO.,L TD.
.X $\pm 5^\circ$	Date	2018-03-01	
.X $\pm 3^\circ$	SHEET	1 OF 1	

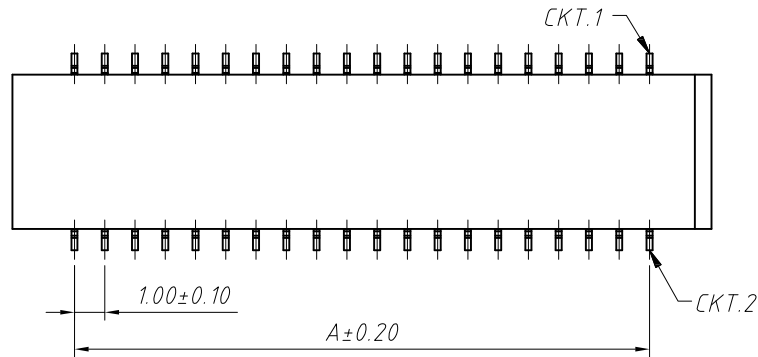


Recommend PCB Layout
All Tolerance: ± 0.1



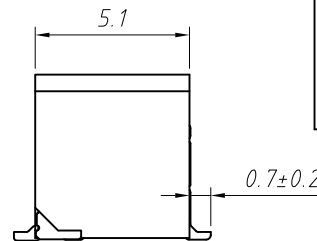
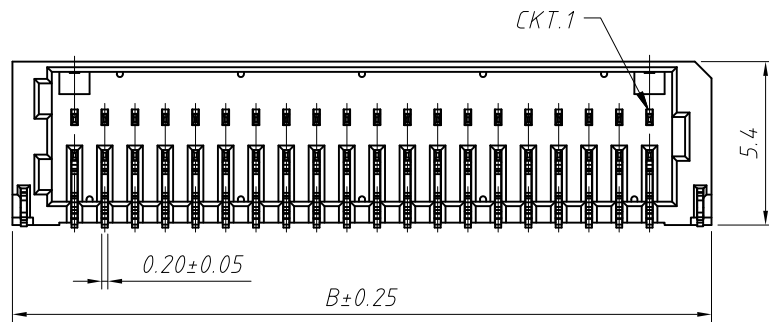
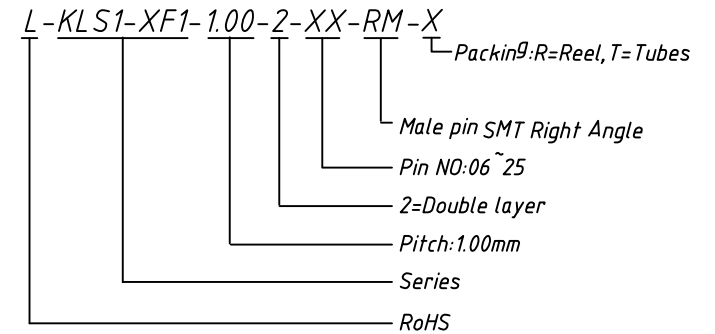
Material:
Insulator: PA6R UL 94V-0, Beige
Contacts: Copper alloy
Fitting nail: Copper alloy
Plating: Gold Plated

Electrical Specification:
Current rating: 1A AC DC
Voltage rating: 50V AC DC
Contact resistance: 20m Ω Max
Insulation resistance: 100M Ω Min
Withstanding Voltage: 500V AC/minute
Temperature range: -25 $^{\circ}$ C ~ +85 $^{\circ}$ C

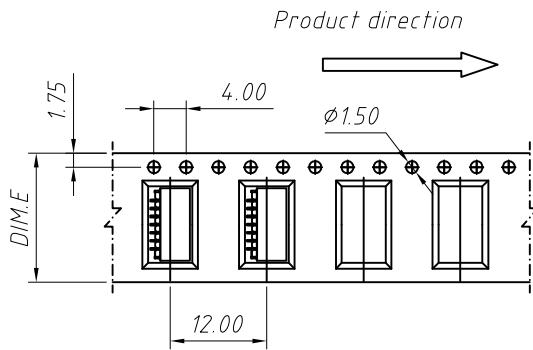


Part NO.	Dimensions	
	A	B
06P	5.00	9.10
08P	7.00	11.10
10P	9.00	13.10
15P	14.00	18.10
20P	19.00	23.10
25P	24.00	28.10

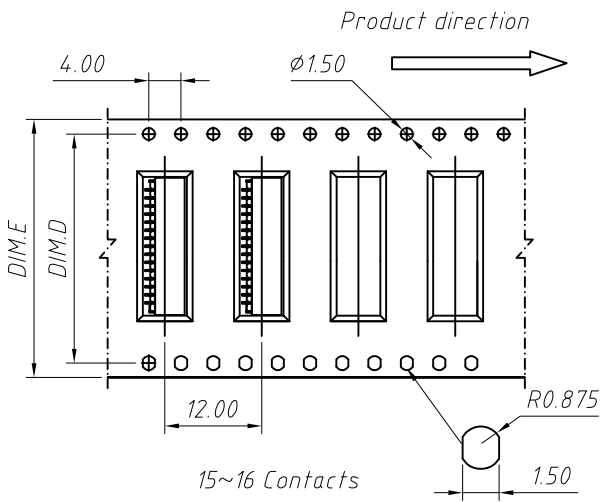
Order Information



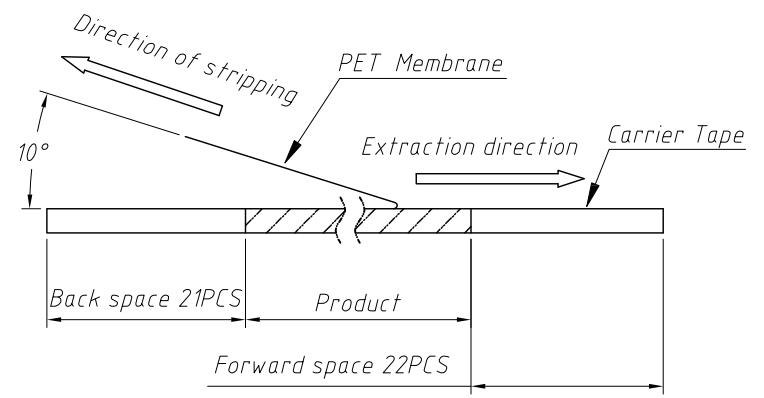
GENERAL TOLERANCE	PROJECTION		Description:
X. ± 0.30	UNITS	mm	Pitch 1.00mm
.X ± 0.20	SCALE	1:1	Horizontal SMT Wafer, Double layer
.XX ± 0.10	Draw by:	Jenny	KLS P/N: L-KLS1-XF1-1.00-2-XX-RM
ANGLE TOLERANCE	Check by:		
X. $\pm 5^{\circ}$	Date	2018-03-01	NingBo KLS ELECTRONIC CO.,L TD.
.X $\pm 3^{\circ}$	SHEET	1 OF 1	
.XX $\pm 2^{\circ}$			



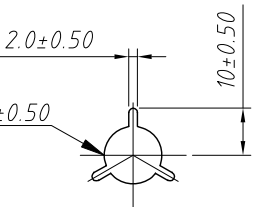
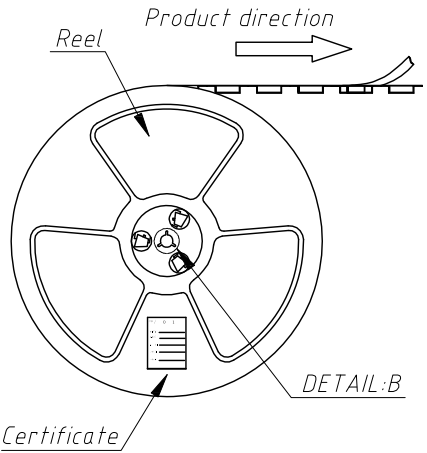
02~14 Contacts



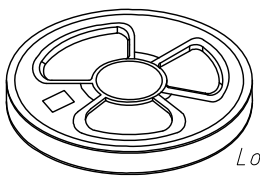
15~16 Contacts



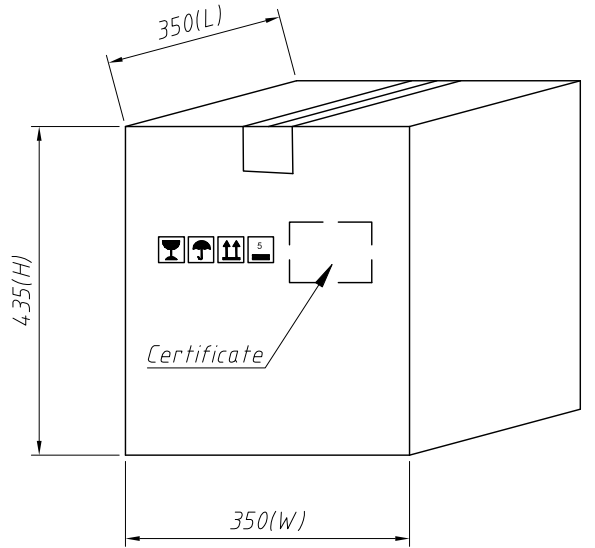
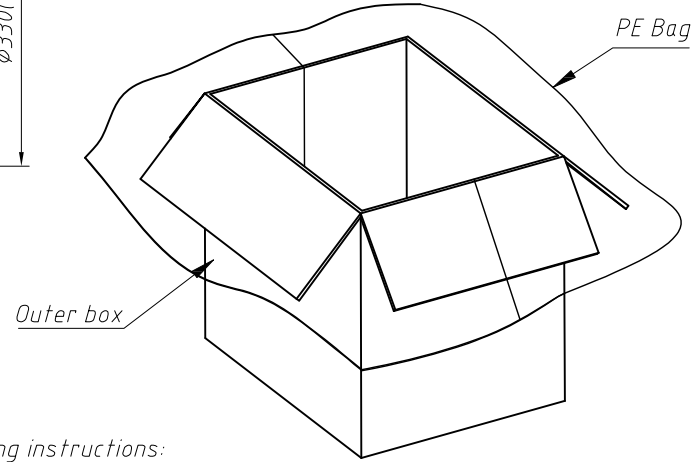
PET Membrane Schematic diagram of stripping



DETAIL:B




Loading x Disk (Reference List 1)



Packaging instructions:
 Pack the finished products into reels, each with 1500 PCS.
 The product will be packed by pasting a certificate on the reel.
 The reel is put into the outer box, and the outer box is fitted with one first.
 Large PE bags with qualified certificates affixed on the outer case.

Circuits	DIM.D	DIM.E	Q'ty/Reel	Packing Reel/Carton
02 PIN	--	12	2000 PCS	25/Reel
03-06 PIN	--	16	1500 PCS	20/Reel
07-14 PIN	--	24	1500 PCS	15/Reel
15-18 PIN	28.4	32	1500 PCS	11/Reel

GENERAL TOLERANCE	PROJECTION	Symbol	Description:
.X ±0.30	UNITS	mm	Packaging Specification Ptich 1.00mm Horizontal SMT
.X ±0.20	SCALE	1:1	
.XX ±0.10	Draw by:	Jenny	
ANGLE TOLERANCE	Check by:		KLS P/N: L-KLS1-XF1-1.00-1-XX-RM
.X ±5°	Date	2018-03-01	 NingBo KLS ELECTRONIC CO.,L TD.
.X ±3°	SHEET	1 OF 1	
.XX ±2°			