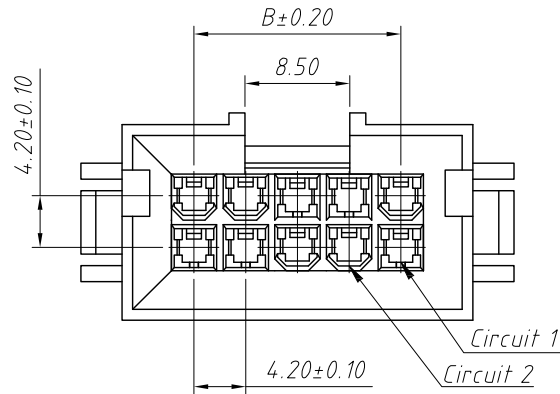


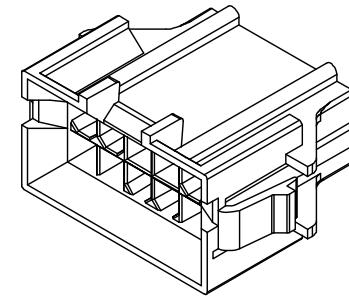
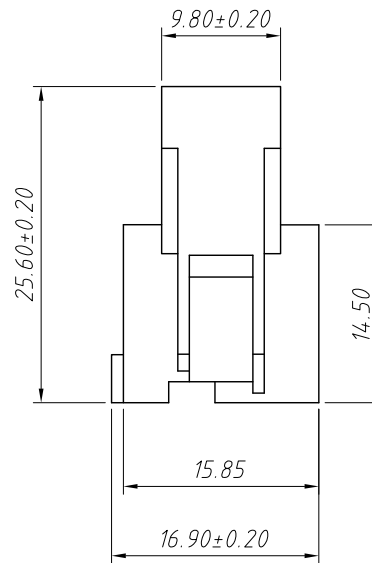
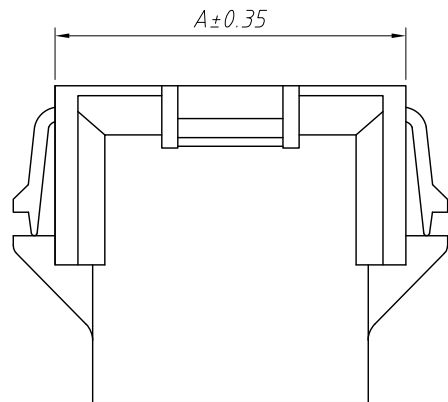
RoHS Compliance



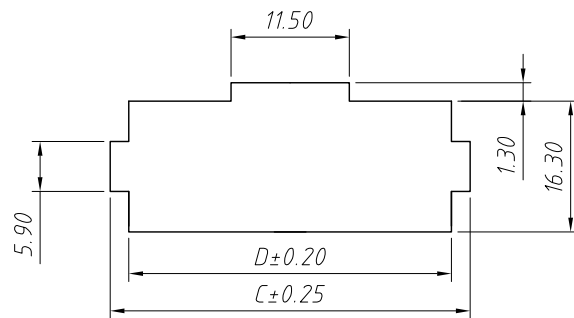
Pin	Dimensions(mm)			
	A	B	C	D
2×02	15.80	4.20	19.80	16.30
2×03	20.00	8.40	24.00	20.50
2×04	24.20	12.60	28.20	24.70
2×05	28.40	16.80	32.40	28.90
2×07	36.80	25.20	40.80	37.30
2×09	45.20	33.60	49.20	45.70
2×10	49.40	37.80	53.40	49.90
2×12	57.80	46.20	61.80	58.30

Material:
Housing: PA66, UL 94V-0/2

Electrical Characteristics:
Rated Current: 7.0A AC, DC
Voltage rating: 600V AC, DC
Temperature range: $-25^{\circ}\text{C} \sim +85^{\circ}\text{C}$
Insulator Resistance: $1000\text{M}\Omega$ Min
Withstanding Voltage: 1500V AC/minute
Contact Resistance: $20\text{m}\Omega$ Max



Order Information:
L-KLS1-XL1-4.20B-XX-H-X
L: RoHS
Pitch: 4.20mm
No. of 04 ~ 24 pins
Type:
H / H1-Hosing
S / S2-Straight male pin
R-Right angle male pin
Color : NONE-Natural B-Black



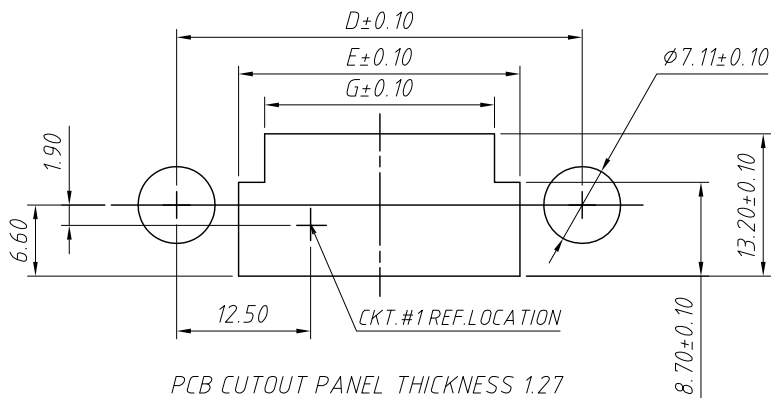
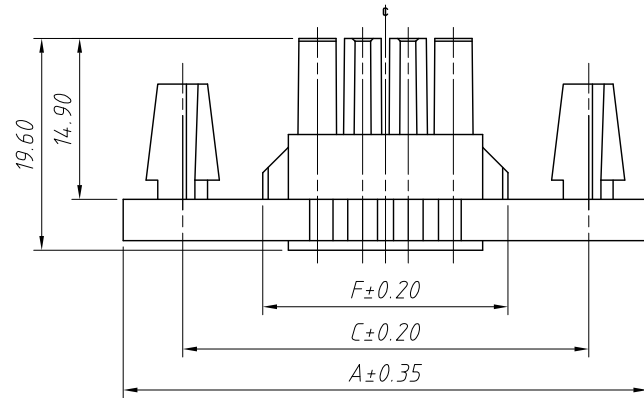
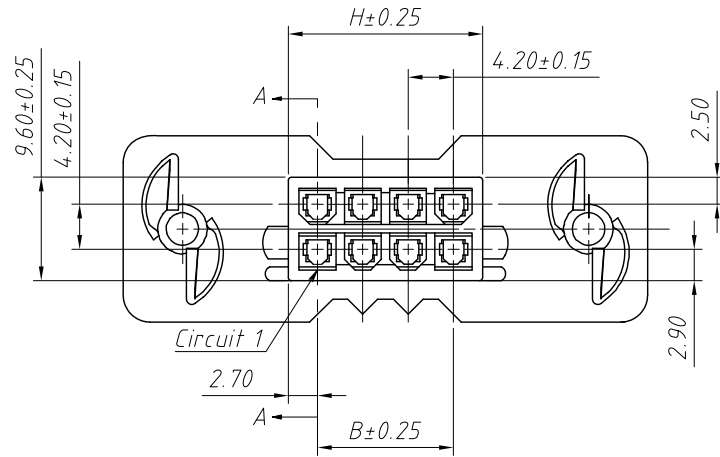
RECOMMENDED PCB CUTOUT
PANEL THICKNESS: 1.60

ANGLE TOLERANCE	PROJECTION	Description:
$\pm 3^{\circ}$		4.20mm Pitch Wire To Board Connector
GENERAL TOLERANCE	UNITS	mm
x.x ± 0.30	SHEET SIZE	A4
x.xx ± 0.20	Draw:	Daniel 2021-01-11
x.xxx ± 0.10	Check:	Daniel 2021-01-11



NingBo KLS ELECTRONIC CO.,LTD.

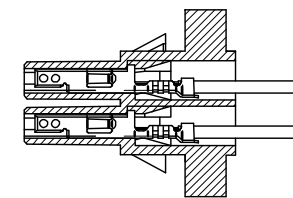
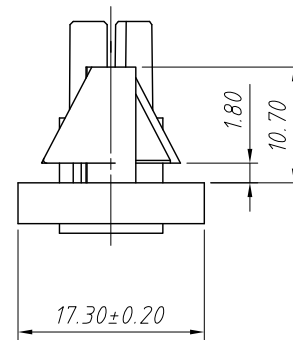
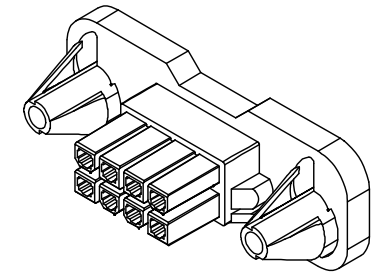
RoHS Compliance



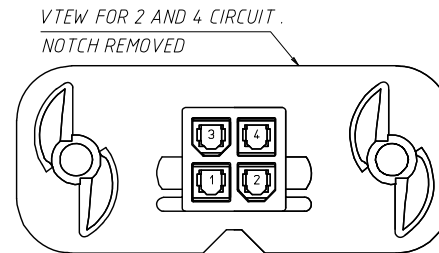
Pin	Dimensions(mm)							
	A	B	C	D	E	F	G	H
2×01	36.00	---	25.00	25.00	13.40	10.10	8.70	5.40
2×02	40.20	4.20	29.20	29.20	17.60	14.30	12.90	9.60
2×03	44.40	8.40	33.40	33.40	21.80	18.50	17.10	13.80
2×04	48.60	12.60	37.60	37.60	26.00	22.70	21.30	18.00
2×05	52.80	16.80	41.80	41.80	30.20	26.90	25.50	22.20
2×06	57.00	21.00	46.00	46.00	34.40	31.10	29.70	26.40
2×07	61.20	25.20	50.20	50.20	38.60	35.30	33.90	30.60
2×08	65.40	29.40	54.40	54.40	42.80	39.50	38.10	34.80
2×09	69.60	33.60	58.60	58.60	47.00	43.70	42.30	39.00
2×10	73.80	37.80	62.80	62.80	51.20	47.90	46.50	43.20
2×11	78.00	42.00	67.00	67.00	55.40	52.10	50.70	47.40
2×12	82.20	46.20	71.20	71.20	59.60	56.30	54.90	51.60

Material:
Housing:PA66,UL 94V-0/2

Electrical Characteristics:
Rated Current:7.0A AC,DC
Voltage rating:600V AC,DC
Temperature range:-25°C ~ +85°C
Insulator Resistance:1000MΩ Min
Withstanding Voltage:1500V AC/minute
Contact Resistance:20mΩ Max



SECTION A-A
Terminal Orientation



Order Information:
L-KLS1-XL1-4.20B-XX-H1-X

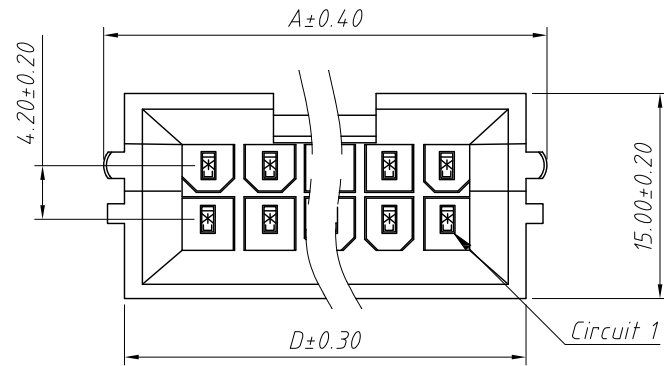
L: RoHS
Pitch:4.20mm
No. of 02~24 pins
Type:
H / H1-Hosing
S / S2-Straight male pin
R-Right angle male pin
Color :NONE-Natural B-Black

ANGLE TOLERANCE	PROJECTION	Description:
±3°		4.20mm Pitch Wire To Board Connector
GENERAL TOLERANCE	UNITS	mm
x.x ±0.30	SHEET SIZE	A4
x.xx ±0.20	Draw:	Daniel 2021-01-11
x.xxx ±0.10	Check:	Daniel 2021-01-11



NingBo KLS ELECTRONIC CO.,LTD.

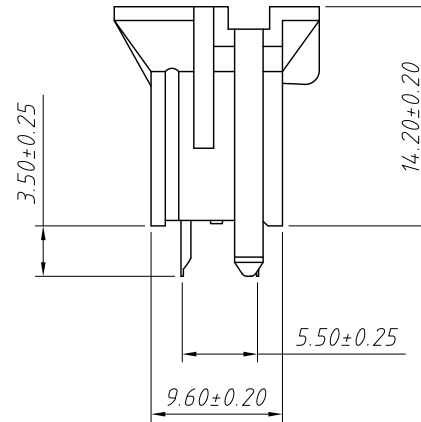
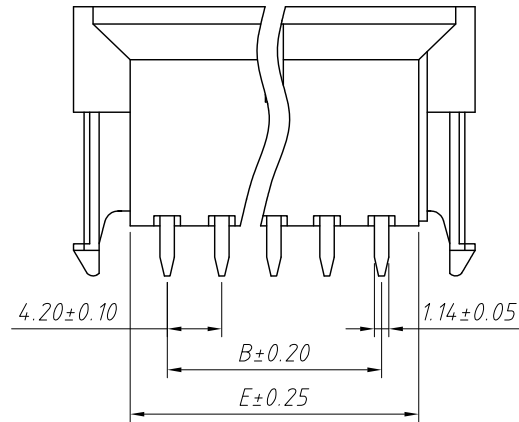
RoHS Compliance



Pin	Dimensions(mm)				
	A	B	C	D	E
2×02	17.40	4.20	13.60	15.00	9.80
2×03	21.60	8.40	17.80	19.20	14.00
2×04	25.80	12.60	22.00	23.40	18.20
2×05	30.00	16.80	26.20	27.60	22.40
2×06	34.20	21.00	30.40	31.80	26.60
2×07	38.40	25.20	34.60	36.00	30.80
2×08	42.60	29.40	38.80	40.20	35.00
2×09	46.80	33.60	43.00	44.40	39.20
2×10	51.00	37.80	47.20	48.60	43.40
2×11	55.20	42.00	51.40	52.80	47.60
2×12	59.40	46.20	55.60	57.00	51.80

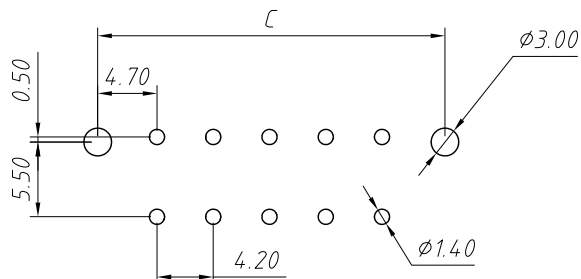
Material:
Housing: PA66, UL 94 V-0/2
Contacts: Brass
Plating: Tin-plated or Gold-flash

Electrical Characteristics:
Rated Current: 7.0A AC, DC
Voltage rating: 600V AC, DC
Temperature range: -25°C ~ +85°C
Insulator Resistance: 1000MΩ Min
Withstanding Voltage: 1500V AC/minute
Contact Resistance: 20mΩ Max

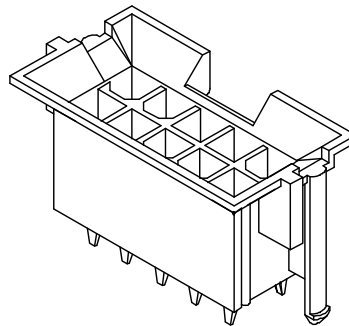


Order Information:
L-KLS1-XL1-4.20B-XX-S-X

L: RoHS
Pitch: 4.20mm
No. of 04 ~ 24 pins
Type:
H / H1-Hosing
S / S2-Straight male pin
R-Right angle male pin
Color :NONE-Natural B-Black



PCB LAYOUT COMPONENT SIDE
RECOMMENDED PCB THICKNESS: 1.78 MAX

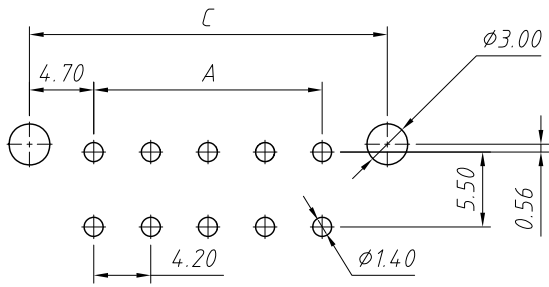
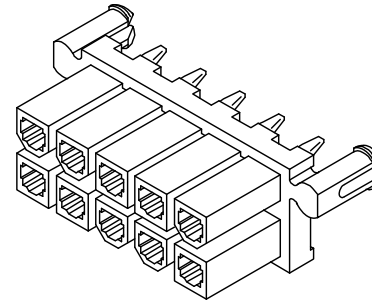
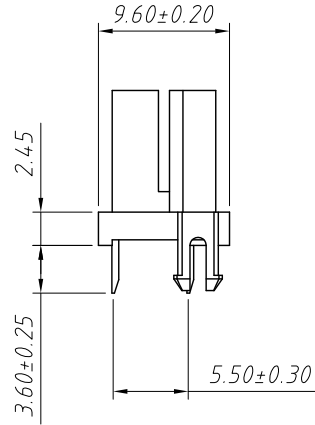
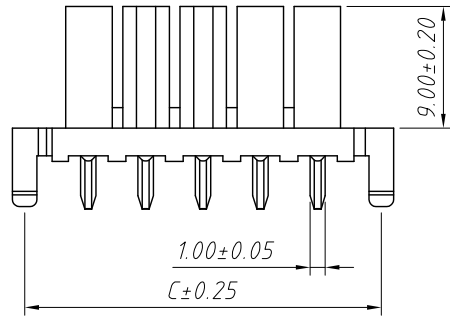
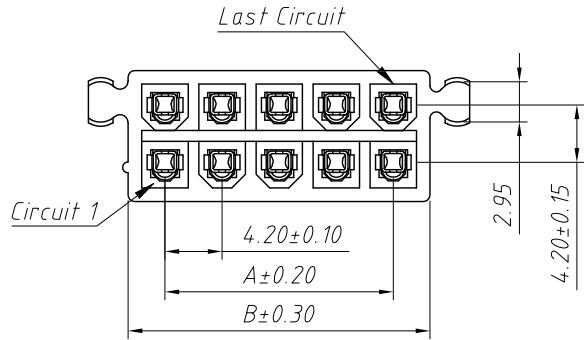


ANGLE TOLERANCE	PROJECTION	Description:
±3°		4.20mm Pitch Wire To Board Connector
GENERAL TOLERANCE	UNITS	mm
x.x ±0.30	SHEET SIZE	A4
x.xx ±0.20	Draw:	Daniel 2021-01-11
x.xxx ±0.10	Check:	Daniel 2021-01-11

L-KLS1-XL1-4.20B-XX-S-X

NingBo KLS ELECTRONIC CO., L TD.

RoHS Compliance



PCB LAYOUT COMPONENT SIDE
RECOMMENDED PCB THICKNESS: 1.78 MAX

Pin	Dimensions(mm)		
	A	B	C
2×01	---	5.40	9.40
2×02	4.20	9.60	13.60
2×03	8.40	13.80	17.80
2×04	12.60	18.00	22.00
2×05	16.80	22.20	26.20
2×06	21.00	26.40	30.40
2×07	25.20	30.60	34.60
2×08	29.40	34.80	38.80
2×09	33.60	39.00	43.00
2×10	37.80	43.20	47.20
2×11	42.00	47.40	51.40
2×12	46.20	51.60	55.60

Material:
Housing: PA66, UL 94 V-0
Contacts: Brass
Plating: Tin-plated

Electrical Characteristics:
Rated Current: 7.0A AC, DC
Voltage rating: 600V AC, DC
Temperature range: $-25^{\circ}\text{C} \sim +85^{\circ}\text{C}$
Insulator Resistance: $1000\text{M}\Omega$ Min
Withstanding Voltage: 1500V AC/minute
Contact Resistance: $20\text{m}\Omega$ Max

Order Information:
L-KLS1-XL1-4.20B-XX-S1-X

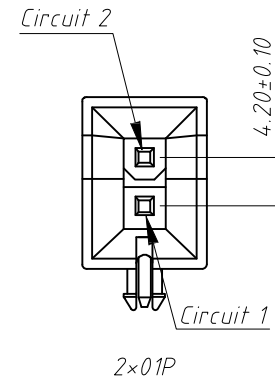
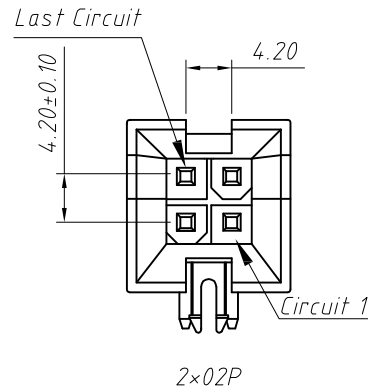
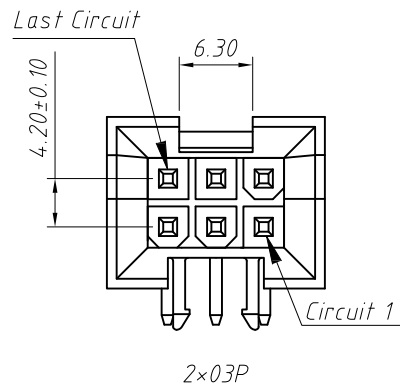
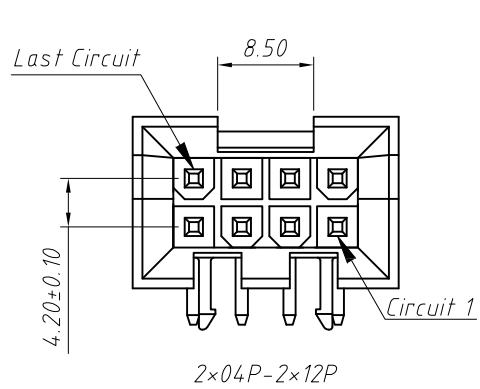
L: RoHS
Pitch: 4.20mm
No. of 02 ~ 24 pins
Type:
H / H1-Hosing
S / S2-Straight male pin
R-Right angle male pin
Color : NONE-Natural B-Black

ANGLE TOLERANCE	PROJECTION	Description:
$\pm 3^{\circ}$		4.20mm Pitch Wire To Board Connector
GENERAL TOLERANCE	UNITS	mm
x.x ± 0.30	SHEET SIZE	A4
x.xx ± 0.20	Draw:	Daniel 2021-01-11
x.xxx ± 0.10	Check:	Daniel 2021-01-11

L-KLS1-XL1-4.20B-XX-S1-X

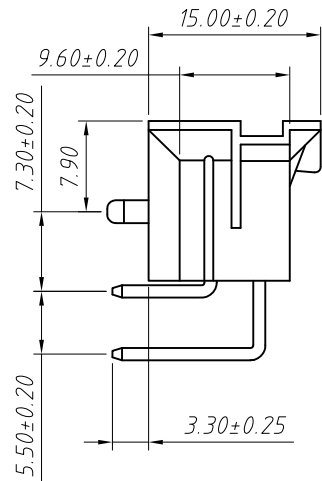
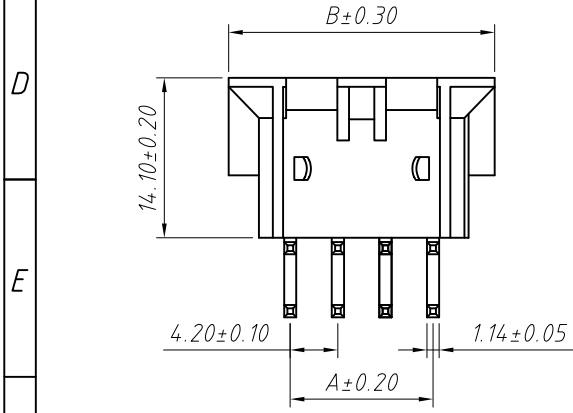
NingBo KLS ELECTRONIC CO., L TD.

1 RoHS Compliance



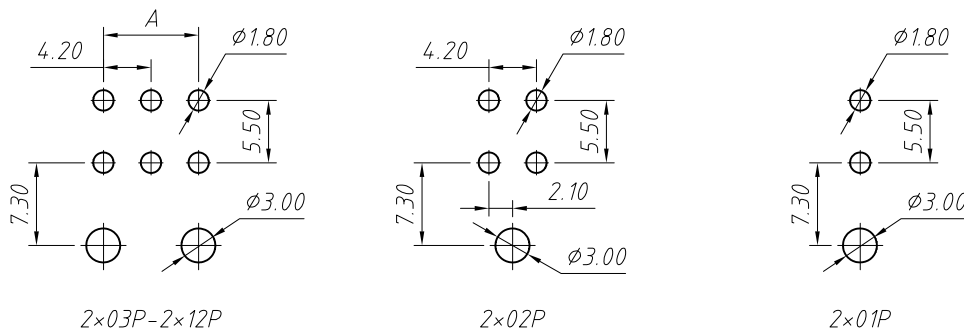
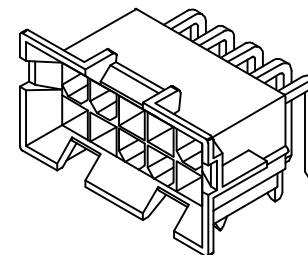
Material:
 Housing:PA66,UL 94V-0/2
 Contacts:Brass
 Plating:Tin-plated or Gold-flash

Electrical Characteristics:
 Rated Current:7.0A AC,DC
 Voltage rating:600V AC,DC
 Temperature range:-25°C ~ + 85°C
 Insulator Resistance:1000MΩ Min
 Withstanding Voltage:1500V AC/minute
 Contact Resistance:20mΩ Max



Pin	Dimensions(mm)	
	A	B
2x01	---	10.80
2x02	4.20	15.00
2x03	8.40	19.20
2x04	12.60	23.40
2x05	16.80	27.60
2x06	21.00	31.80
2x07	25.20	36.00
2x08	29.40	40.20
2x09	33.60	44.40
2x10	37.80	48.60
2x11	42.00	52.80
2x12	46.20	57.00

Order Information:
 L-KLS1-XL1-4.20B-XX-R-X
 L: RoHS
 Pitch:4.20mm
 No. of 02 ~ 24 pins
 Type:
 H / H1-Hosing
 S / S2-Straight male pin
 R-Right angle male pin
 Color :NONE-Natutal B-Black



PCB LAYOUT:COMPONENT SIDE
 RECOMMENDED PCB THICKNESS:1.78 MAX

ANGLE TOLERANCE	PROJECTION	Description:
±3°		4.20mm Pitch Wire To Board Connector
GENERAL TOLERANCE	UNITS	mm
x.x ±0.30	SHEET SIZE	A4
x.xx ±0.20	Draw:	Daniel 2021-01-11
x.xxx ±0.10	Check:	Daniel 2021-01-11

L-KLS1-XL1-4.20B-XX-R-X
 NingBo KLS ELECTRONIC CO.,L TD.