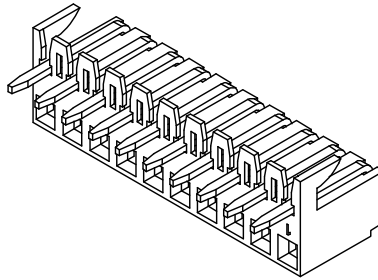
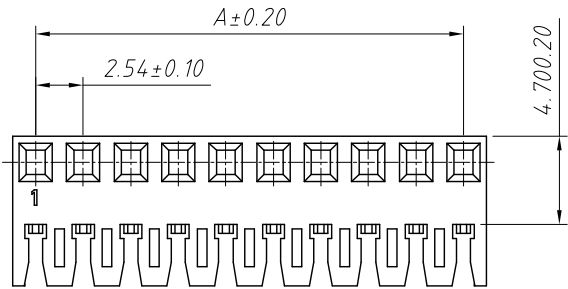


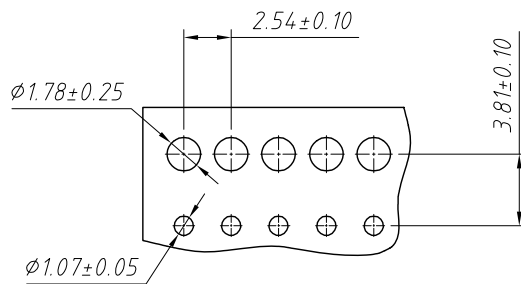
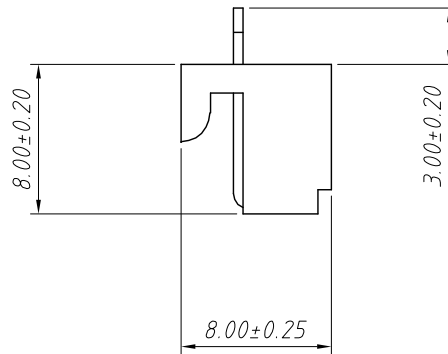
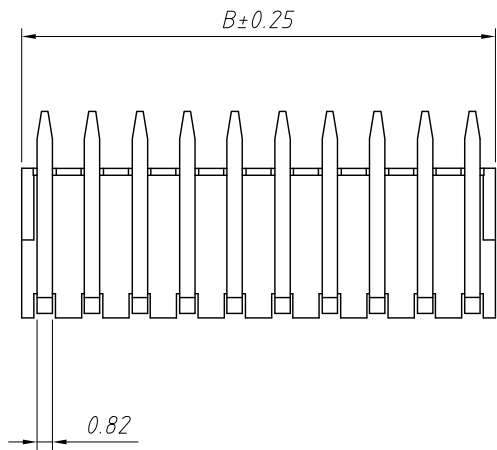
1
RoHS Compliance



Pin	Dimensions (mm)	
	A	B
02	2.54	4.98
03	5.08	7.52
04	7.62	10.06
05	10.16	12.60
06	12.70	15.14
07	15.24	17.68
08	17.78	20.22
09	20.32	22.76
10	22.86	25.30
11	25.40	27.84
12	27.94	30.38
13	30.48	32.92
14	33.02	35.46
15	35.56	38.00
16	45.72	48.16

Material:
Housing: PA66, UL 94 V-0
Color: Natural

Electrical Characteristics:
Rated Current: 2.5AMP
Voltage rating: 250V AC, DC
Temperature range: -40°C ~ +105°C
Insulator Resistance: 100MΩ Min
Withstanding Voltage: 500V AC/minute
Contact Resistance: 20mΩ Max

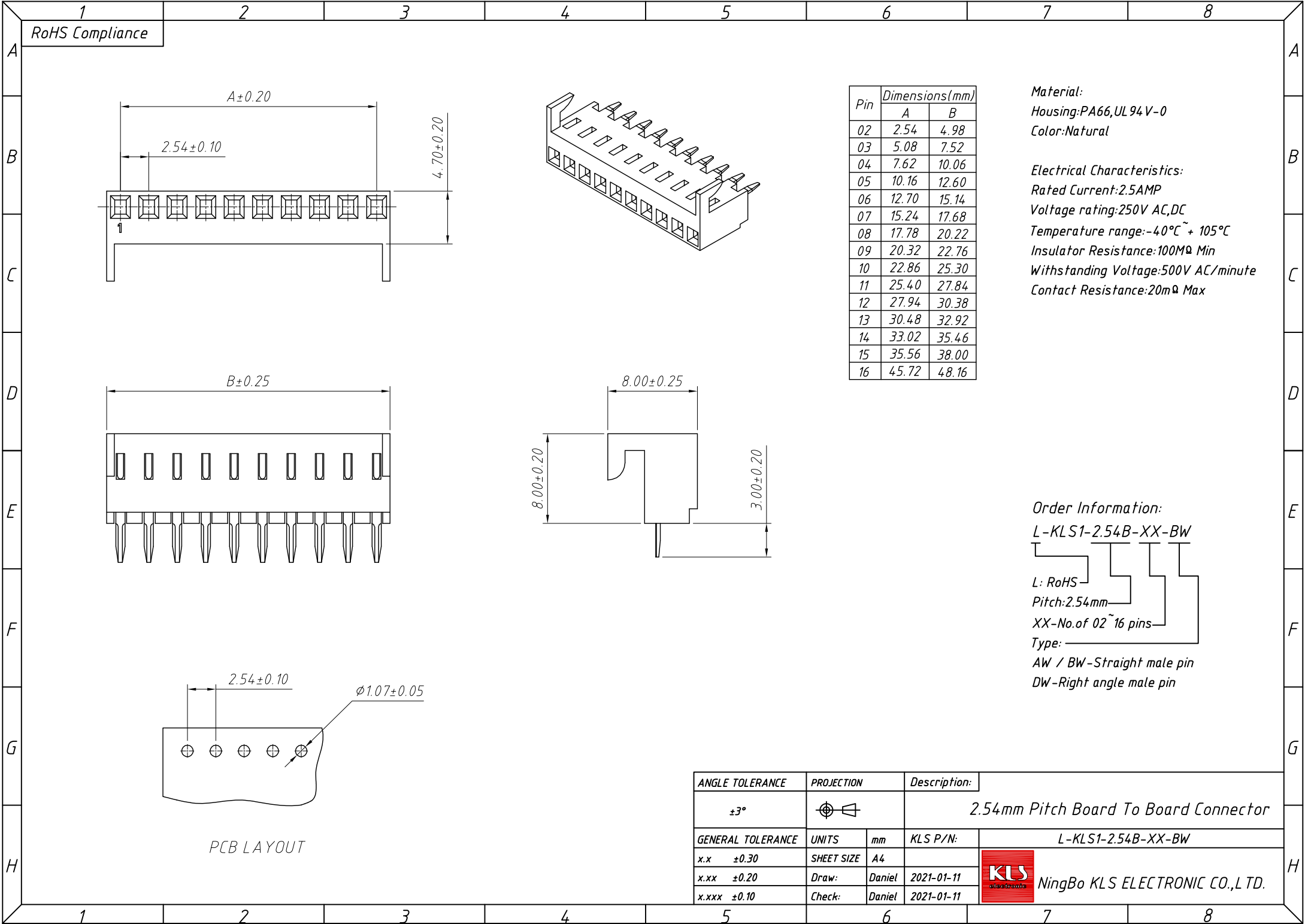


PCB LAYOUT

Order Information:
L-KLS1-2.54B-XX-AW
L: RoHS
Pitch: 2.54mm
XX-No. of 02~16 pins
Type: _____
AW / BW - Straight male pin
DW - Right angle male pin

ANGLE TOLERANCE	PROJECTION	Description:
±3°		2.54mm Pitch Board To Board Connector
GENERAL TOLERANCE	UNITS	mm
x.x ±0.30	SHEET SIZE	A4
x.xx ±0.20	Draw:	Daniel 2021-01-11
x.xxx ±0.10	Check:	Daniel 2021-01-11
		KLS NingBo KLS ELECTRONIC CO.,LTD.

1
RoHS Compliance



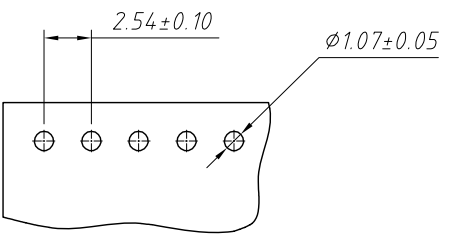
Pin	Dimensions (mm)	
	A	B
02	2.54	4.98
03	5.08	7.52
04	7.62	10.06
05	10.16	12.60
06	12.70	15.14
07	15.24	17.68
08	17.78	20.22
09	20.32	22.76
10	22.86	25.30
11	25.40	27.84
12	27.94	30.38
13	30.48	32.92
14	33.02	35.46
15	35.56	38.00
16	45.72	48.16

Material:
Housing: PA66, UL 94V-0
Color: Natural

Electrical Characteristics:
Rated Current: 2.5AMP
Voltage rating: 250V AC, DC
Temperature range: -40°C ~ +105°C
Insulator Resistance: 100MΩ Min
Withstanding Voltage: 500V AC/minute
Contact Resistance: 20mΩ Max

Order Information:
L-KLS1-2.54B-XX-BW

L: RoHS
Pitch: 2.54mm
XX-No. of 02~16 pins
Type: _____
AW / BW - Straight male pin
DW - Right angle male pin

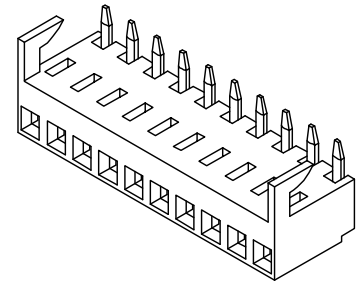
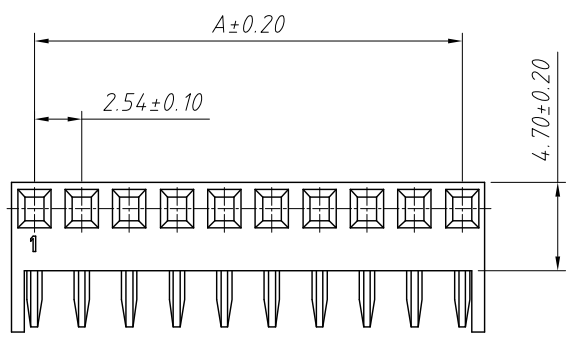


PCB LAYOUT

ANGLE TOLERANCE		PROJECTION		Description:	
±3°				2.54mm Pitch Board To Board Connector	
GENERAL TOLERANCE		UNITS	mm	KLS P/N:	
x.x	±0.30	SHEET SIZE	A4	L-KLS1-2.54B-XX-BW	
x.xx	±0.20	Draw:	Daniel	2021-01-11	
x.xxx	±0.10	Check:	Daniel	2021-01-11	

KLS NingBo KLS ELECTRONIC CO.,L TD.

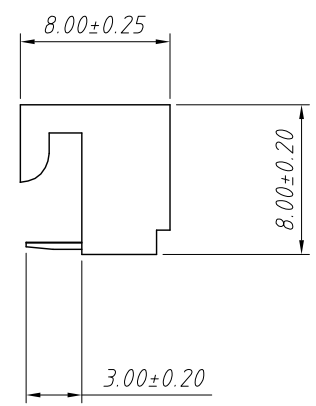
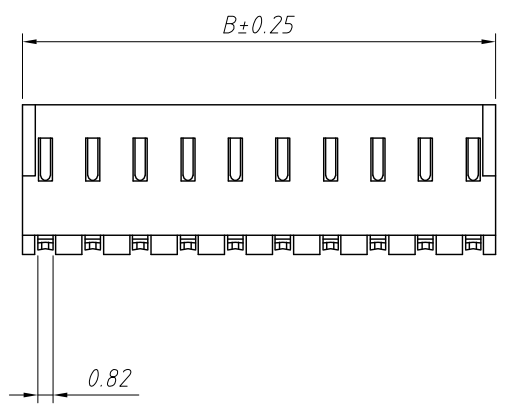
1
RoHS Compliance



Pin	Dimensions (mm)	
	A	B
02	2.54	4.98
03	5.08	7.52
04	7.62	10.06
05	10.16	12.60
06	12.70	15.14
07	15.24	17.68
08	17.78	20.22
09	20.32	22.76
10	22.86	25.30
11	25.40	27.84
12	27.94	30.38
13	30.48	32.92
14	33.02	35.46
15	35.56	38.00
16	45.72	48.16

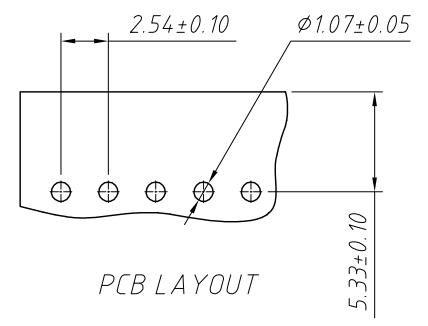
Material:
Housing: PA66, UL 94 V-0
Color: Natural

Electrical Characteristics:
Rated Current: 2.5AMP
Voltage rating: 250V AC, DC
Temperature range: -40°C ~ +105°C
Insulator Resistance: 100MΩ Min
Withstanding Voltage: 500V AC/minute
Contact Resistance: 20mΩ Max



Order Information:
L-KLS1-2.54B-XX-DW

L: RoHS
Pitch: 2.54mm
XX-No. of 02~16 pins
Type: _____
AW / BW - Straight male pin
DW - Right angle male pin



ANGLE TOLERANCE	PROJECTION	Description:
±3°		2.54mm Pitch Board To Board Connector
GENERAL TOLERANCE	UNITS	mm
x.x ±0.30	SHEET SIZE	A4
x.xx ±0.20	Draw:	Daniel 2021-01-11
x.xxx ±0.10	Check:	Daniel 2021-01-11
		KLS NingBo KLS ELECTRONIC CO.,L TD.