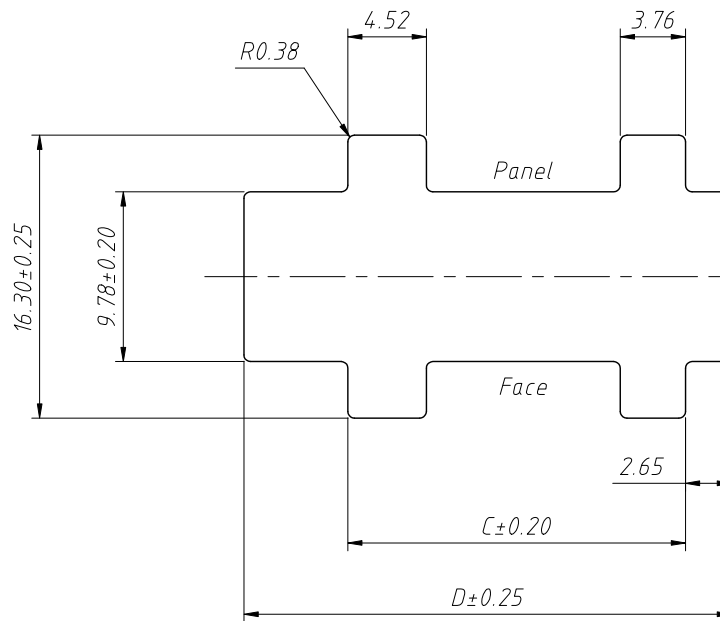
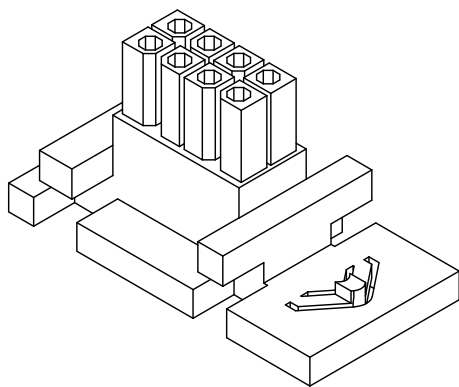
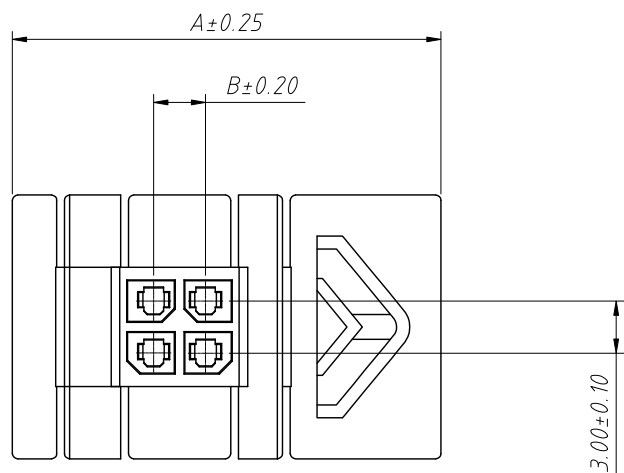


1 RoHS Compliance



Material:
Housing: PA66, UL 94V-0
Color: Blank-Natural Color

Electrical Characteristics:
Current rating: 5.0A AC, DC
Voltage rating: 250V AC, DC
Insulation resistance: 1000M Ω Min.
Withstanding voltage: 1000V AC minute
Contact resistance: 10m Ω Max.
After environmental testing: 20m Ω Max.
Temperature range: -25 $^{\circ}$ C ~ +85 $^{\circ}$ C

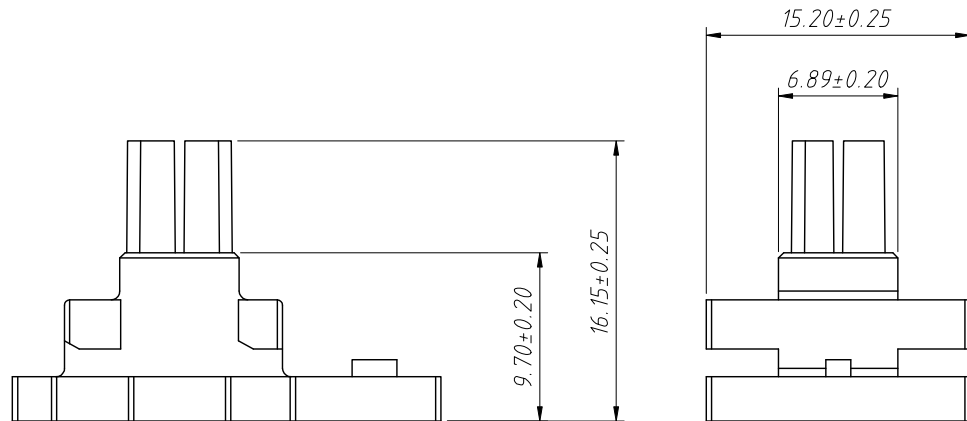


PANEL OPENING
RECOMMENDED PANEL THICKNESS
1.57 / 1.27

Pin	Dimensions(mm)			
	A	B	C	D
2x02	24.70	3.00	13.46	22.10
2x03	27.70	6.00	16.46	25.10
2x04	30.70	9.00	19.46	28.10
2x05	33.70	12.00	22.46	31.10
2x06	36.70	15.00	25.46	34.10
2x07	39.70	18.00	28.46	37.10
2x08	42.70	21.00	31.46	40.10
2x09	45.70	24.00	34.46	43.10
2x10	48.70	27.00	37.46	46.10
2x11	51.70	30.00	40.46	49.10
2x12	54.70	33.00	43.46	52.10

Order Information:
L-KLS1-XM3-3.00-2xXX-MH

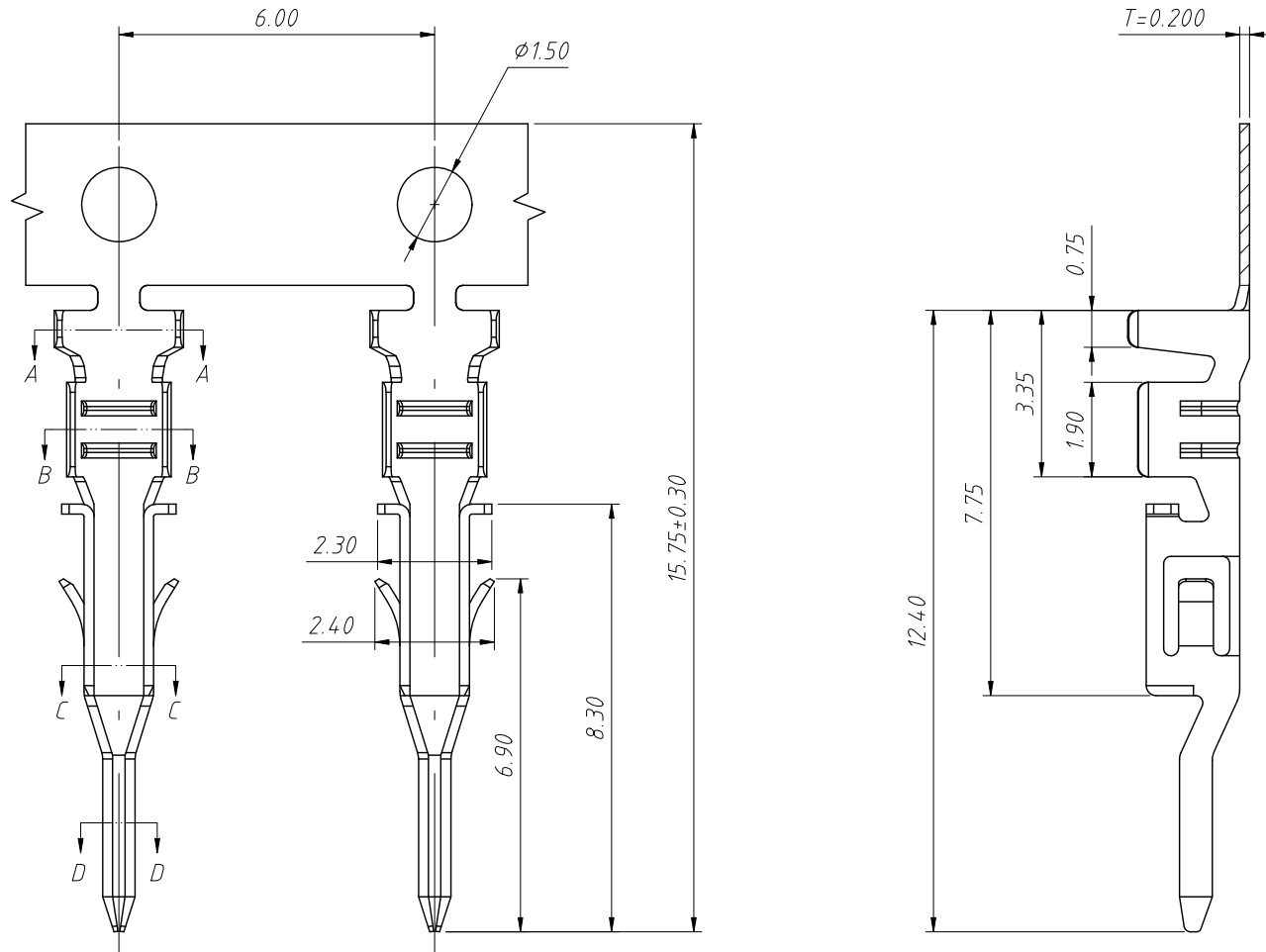
L: RoHS
Wire To Board
Connector
Pitch: 3.00mm
2-Double layer
XX-No. of 04 ~ 24 pins
Type:
MH/FH-Housing MT/FT-Terminal
S1/S2-Straight male pin
R1/R2-Right angle male pin



ANGLE TOLERANCE	PROJECTION	Description:	3.0mm Pitch Micro-Fit
$\pm 3^{\circ}$			44133/44300 Wire To Board Connector
GENERAL TOLERANCE	UNITS	mm	KLS P/N:
x.x ± 0.30	SHEET SIZE	A4	L-KLS1-XM3-3.00-2xXX-MH
x.xx ± 0.20	Draw:	Daniel	2020-11-11
x.xxx ± 0.10	Check:	Daniel	2020-11-11

NingBo KLS ELECTRONIC CO.,LTD.

1 RoHS Compliance

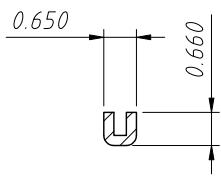
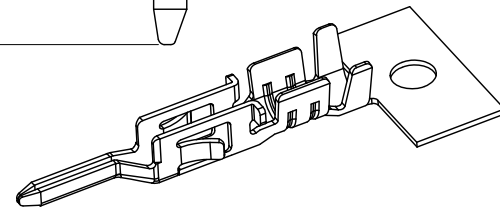


Material:
Terminal: Phosphor bronze
Finish: Plated Tin over Nickel

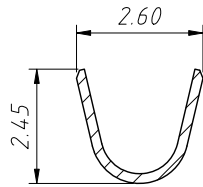
Electrical Characteristics:
Current rating: 5.0A AC, DC
Voltage rating: 250V AC, DC
Insulation resistance: 1000M Ω Min.
Withstanding voltage: 1000V AC minute
Contact resistance: 10m Ω Max.
Wire range: AWG#20 ~ #24
Insulation O.D.: 1.85mm (Max)
Temperature range: -45°C ~ +105°C

Order Information:
L-KLS1-XM3-3.00-MT

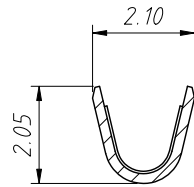
L: RoHS
Wire To Board
Connector
Pitch: 3.00mm
Type:
MH/FH-Housing MT/FT-Terminal
S1/S2-Straight male pin
R1/R2-Right angle male pin



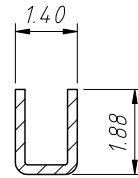
Section: D-D
Scale: 1:1



Section: A-A
Scale: 1:1



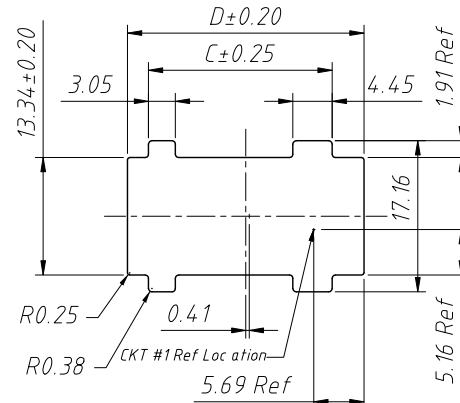
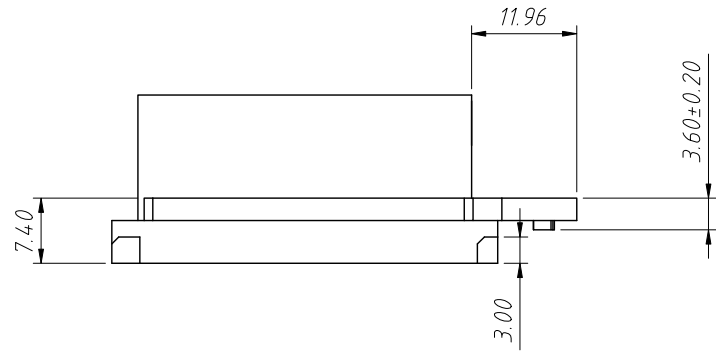
Section: B-B
Scale: 1:1



Section: C-C
Scale: 1:1

ANGLE TOLERANCE	PROJECTION	Description:	3.0mm Pitch Male Terminal	
$\pm 3^\circ$				
GENERAL TOLERANCE	UNITS	mm	KLS P/N:	L-KLS1-XM3-3.00-MT
x.x ± 0.30	SHEET SIZE	A4		
x.xx ± 0.20	Draw:	Daniel	2020-11-11	NingBo KLS ELECTRONIC CO.,L.TD.
x.xxx ± 0.10	Check:	Daniel	2020-11-11	

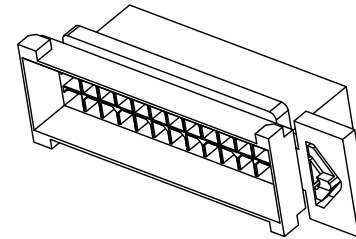
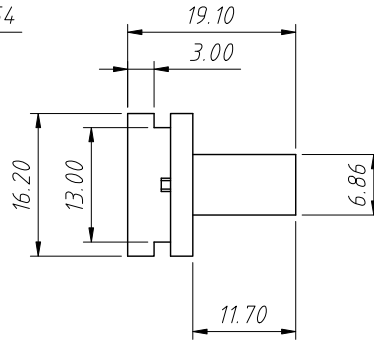
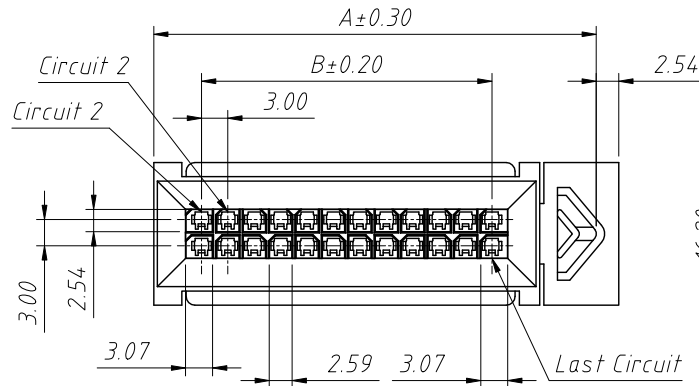
1 RoHS Compliance



Material:
Housing: PA66, UL 94V-0
Color: Blank-Natural Color

Electrical Characteristics:
Current rating: 5.0A AC, DC
Voltage rating: 250V AC, DC
Insulation resistance: 1000MΩ Min.
Withstanding voltage: 1000V AC minute
Contact resistance: 10mΩ Max.
After environmental testing: 20mΩ Max.
Temperature range: -25°C ~ +85°C

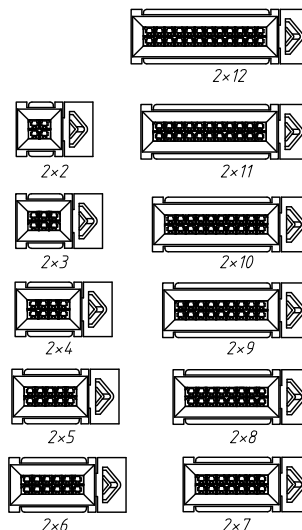
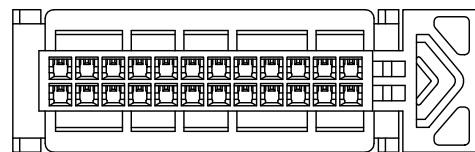
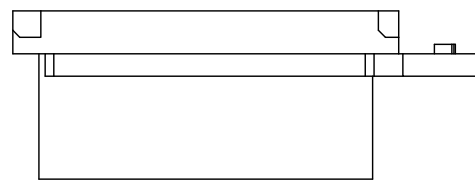
RECOMMENDED PANEL CUT-OUT
THICK: 1.27mm Min / 1.57mm Max



Order Information:
L-KLS1-XM3-3.00-2×XX-FH

L: RoHS
Wire To Board
Connector
Pitch: 3.00mm
2-Double layer
XX-No. of 04 ~ 24 pins
Type:
MH/FH-Housing MT/FT-Terminal
S1/S2-Straight male pin
R1/R2-Right angle male pin

Pin	Dimensions (mm)			
	A	B	C	D
2×02	20.30	3.00	14.85	20.85
2×03	23.30	6.00	17.85	23.85
2×04	26.30	9.00	20.85	26.85
2×05	29.30	12.00	23.85	29.85
2×06	32.30	15.00	26.85	32.85
2×07	35.30	18.00	29.85	35.85
2×08	38.30	21.00	32.85	38.85
2×09	41.30	24.00	35.85	41.85
2×10	44.30	27.00	38.85	44.85
2×11	47.30	30.00	41.85	47.85
2×12	50.30	33.00	44.85	50.85

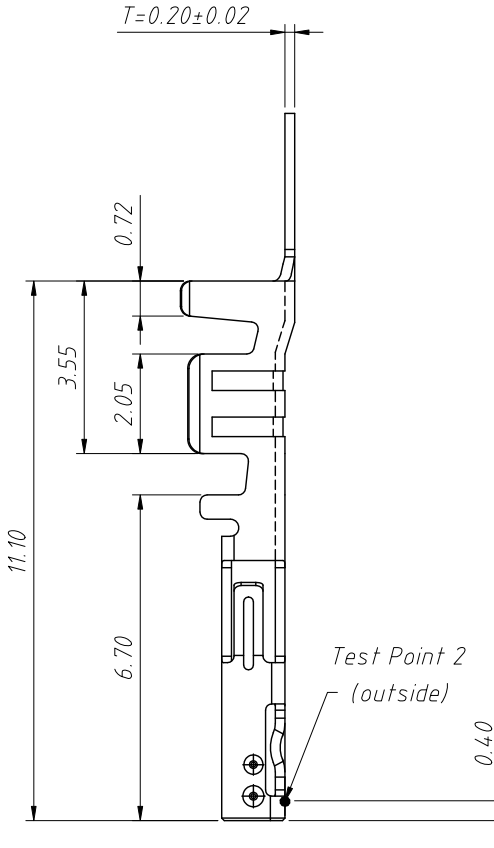
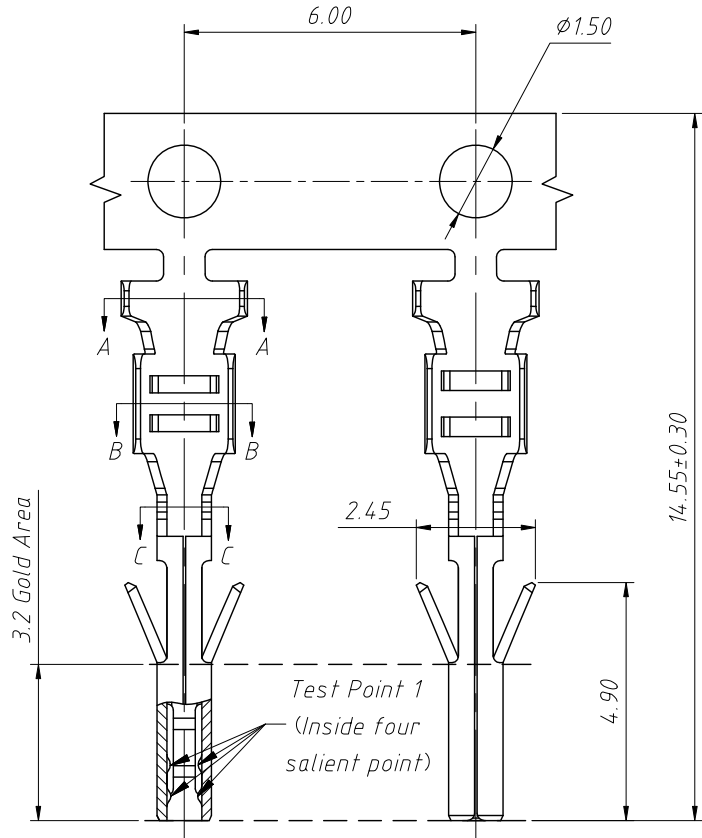


ANGLE TOLERANCE	PROJECTION	Description:
±3°		3.0mm Pitch Micro-Fit 44133/44300 Wire To Board Connector
GENERAL TOLERANCE	UNITS	mm
x.x ±0.30	SHEET SIZE	A4
x.xx ±0.20	Draw:	Daniel 2020-11-11
x.xxx ±0.10	Check:	Daniel 2020-11-11



NingBo KLS ELECTRONIC CO., L.TD.

1 RoHS Compliance

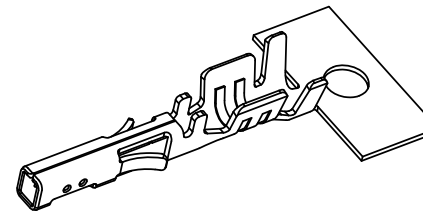
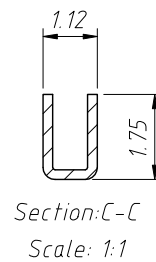
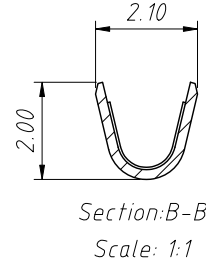
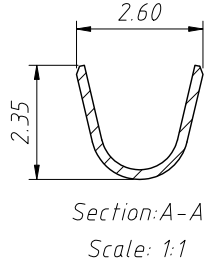
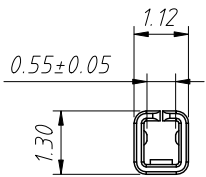


Material:
Terminal: Phosphor bronze
Finish: Plated Tin over Nickel

Electrical Characteristics:
Current rating: 5.0A AC, DC
Voltage rating: 250V AC, DC
Insulation resistance: 1000M Ω Min.
Withstanding voltage: 1000V AC minute
Contact resistance: 10m Ω Max.
Wire range: AWG#20 ~ #24
Insulation O.D.: 1.85mm (Max)
Temperature range: -45°C ~ +105°C

Order Information:
L-KLS1-XM3-3.00- FT

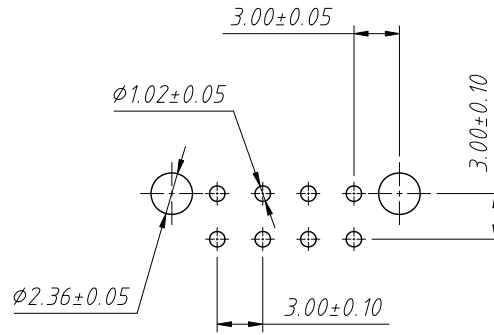
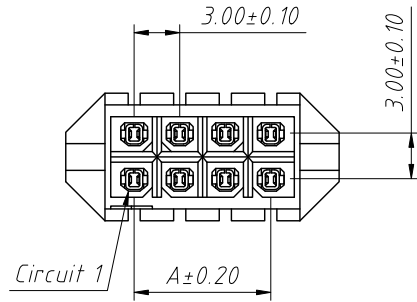
L: RoHS
Wire To Board
Connector
Pitch: 3.00mm
Type:
MH/FH-Housing MT/FT-Terminal
S1/S2-Straight male pin
R1/R2-Right angle male pin



ANGLE TOLERANCE	PROJECTION	Description:	3.0mm Pitch Female Terminal	
$\pm 3^\circ$				
GENERAL TOLERANCE	UNITS	mm	KLS P/N:	L-KLS1-XM3-3.00-FT
x.x ± 0.30	SHEET SIZE	A4		
x.xx ± 0.20	Draw:	Daniel	2020-11-11	
x.xxx ± 0.10	Check:	Daniel	2020-11-11	

NingBo KLS ELECTRONIC CO.,LTD.

1 RoHS Compliance



PCB LAYOUT

Pin	Dimensions(mm)		
	A	B	C
2×02	3.00	12.00	9.00
2×03	6.00	15.00	12.00
2×04	9.00	18.00	15.00
2×05	12.00	21.00	18.00
2×06	15.00	24.00	21.00
2×07	18.00	27.00	24.00
2×08	21.00	30.00	27.00
2×09	24.00	33.00	30.00
2×10	27.00	36.00	33.00
2×11	30.00	39.00	36.00
2×12	33.00	42.00	39.00

Material:

Housing:LCP,UL 94V-0

Color:Blank-Natural Color

Pin:Brass,Bright Tin Plating

Electrical Characteristics:

Current rating:5.0A AC,DC

Voltage rating:250V AC,DC

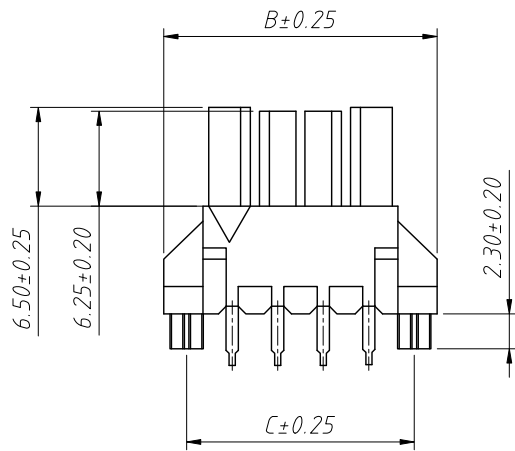
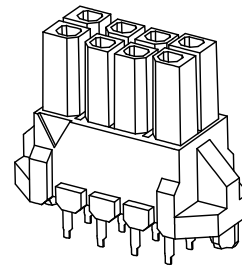
Insulation resistance:1000MΩ Min.

Withstanding voltage:1000V AC minute

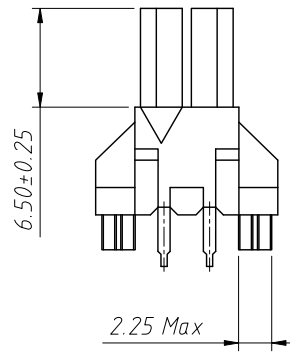
Contact resistance:10mΩ Max.

After environmental testing:20mΩ Max.

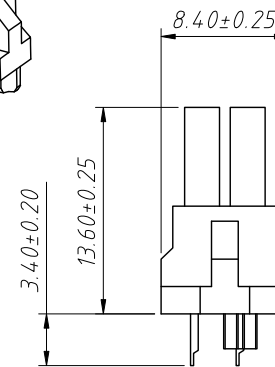
Temperature range:-25°C~+85°C



2×3~2×12P



2×2P



Order Information:

L-KLS1-XM3-3.00-2×XX-S1

L: RoHS

Wire To Board

Connector

Pitch:3.00mm

2-Double layer

XX-No. of 04~24 pins

Type:

MH/FH-Housing MT/FT-Terminal

S1/S2-Straight male pin

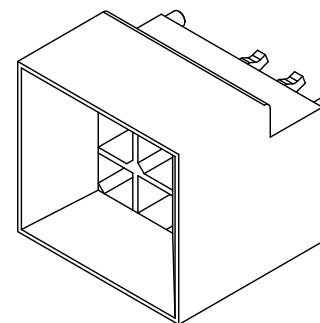
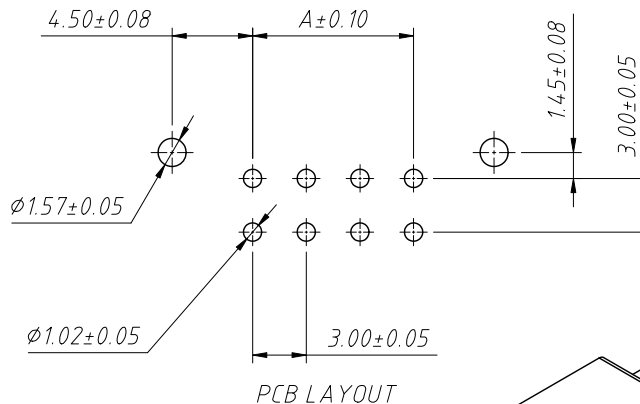
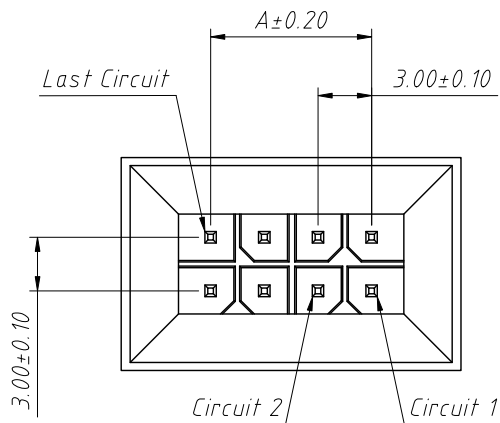
R1/R2-Right angle male pin

ANGLE TOLERANCE	PROJECTION	Description:	3.0mm Pitch Micro-Fit
±3°			44133/44300 Straight 180° and Male
GENERAL TOLERANCE	UNITS	mm	KLS P/N:
x.x ±0.30	SHEET SIZE	A4	L-KLS1-XM3-3.00-2×XX-S1
x.xx ±0.20	Draw:	Daniel	2020-11-11
x.xxx ±0.10	Check:	Daniel	2020-11-11



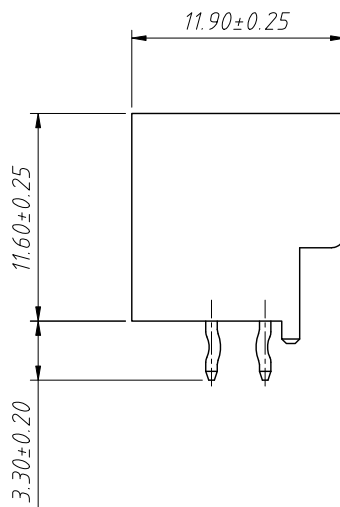
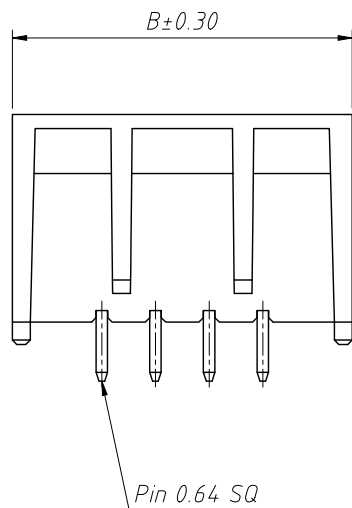
NingBo KLS ELECTRONIC CO.,L TD.

1 RoHS Compliance



Material:
 Housing:LCP,UL 94V-0
 Color:Blank-Natural Color
 Pin:Brass,Bright Tin Plating

Electrical Characteristics:
 Current rating:5.0A AC,DC
 Voltage rating:250V AC,DC
 Insulation resistance:1000MΩ Min.
 Withstanding voltage:1000V AC minute
 Contact resistance:10mΩ Max.
 After environmental testing:20mΩ Max.
 Temperature range:-25°C~+85°C



Order Information:
 L-KLS1-XM3-3.00-2×XX-S2

L: RoHS
 Wire To Board
 Connector
 Pitch:3.00mm
 2-Double layer
 XX-No. of 04~24 pins
 Type:
 MH/FH-Housing MT/FT-Terminal
 S1/S2-Straight male pin
 R1/R2-Right angle male pin

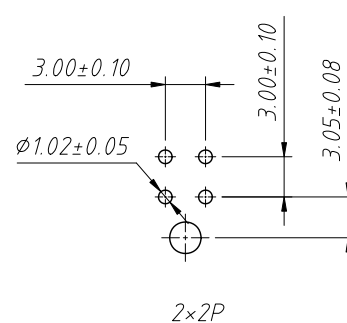
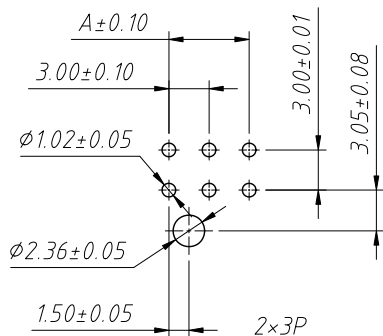
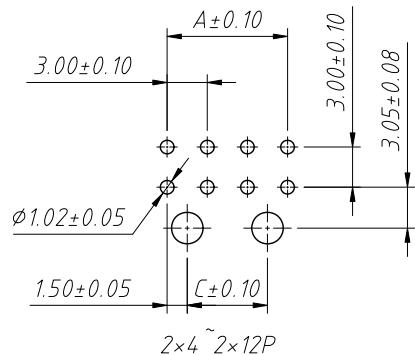
Pin	Dimensions(mm)	
	A	B
2×02	3.00	13.00
2×03	6.00	16.00
2×04	9.00	19.00
2×05	12.00	22.00
2×06	15.00	25.00
2×07	18.00	28.00
2×08	21.00	31.00
2×09	24.00	34.00
2×10	27.00	37.00
2×11	30.00	40.00
2×12	33.00	43.00

ANGLE TOLERANCE	PROJECTION	Description:	3.0mm Pitch Micro-Fit
±3°			44133/44300 Straight 180° and Female
GENERAL TOLERANCE	UNITS	mm	KLS P/N:
x.x ±0.30	SHEET SIZE	A4	L-KLS1-XM3-3.00-2×XX-S2
x.xx ±0.20	Draw:	Daniel	2020-11-11
x.xxx ±0.10	Check:	Daniel	2020-11-11



NingBo KLS ELECTRONIC CO.,L TD.

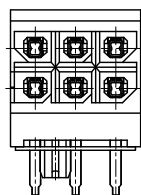
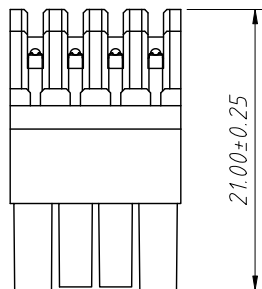
RoHS Compliance



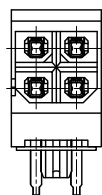
PCB LAYOUT

Material:
Housing:LCP,UL 94V-0
Color:Blank-Natural Color
Pin:Brass,Bright Tin Plating

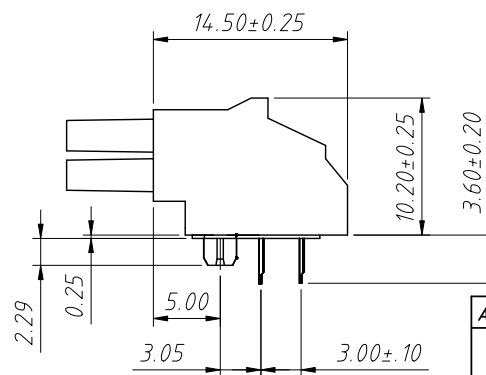
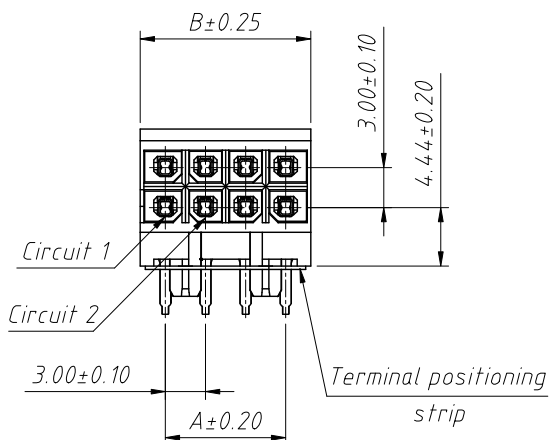
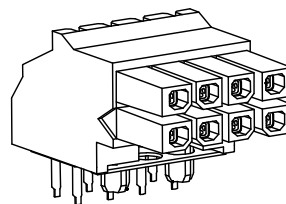
Electrical Characteristics:
Current rating:5.0A AC,DC
Voltage rating:250V AC,DC
Insulation resistance:1000MΩ Min.
Withstanding voltage:1000V AC minute
Contact resistance:10mΩ Max.
After environmental testing:20mΩ Max.
Temperature range:-25°C~+85°C



2x3P



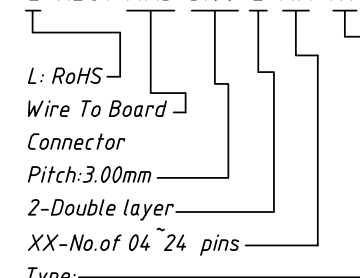
2x2P



Pin	Dimensions (mm)		
	A	B	C
2x02	3.00	6.70	---
2x03	6.00	9.70	---
2x04	9.00	12.70	6.00
2x05	12.00	15.70	9.00
2x06	15.00	18.70	12.00
2x07	18.00	21.70	15.00
2x08	21.00	24.70	18.00
2x09	24.00	27.70	21.00
2x10	27.00	30.70	24.00
2x11	30.00	33.70	27.00
2x12	33.00	36.70	30.00

Order Information:

L-KLS1-XM3-3.00-2xXX-R1



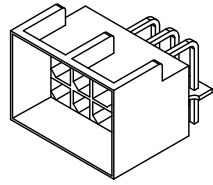
Type:
MH/FH-Housing MT/FT-Terminal
S1/S2-Straight male pin
R1/R2-Right angle male pin

ANGLE TOLERANCE	PROJECTION	Description:	3.0mm Pitch Micro-Fit
±3°			44133/44300 Right angle 90° and Male
GENERAL TOLERANCE	UNITS	mm	KLS P/N:
x.x ±0.30	SHEET SIZE	A4	L-KLS1-XM3-3.00-2xXX-R1
x.xx ±0.20	Draw:	Daniel	2020-11-11
x.xxx ±0.10	Check:	Daniel	2020-11-11

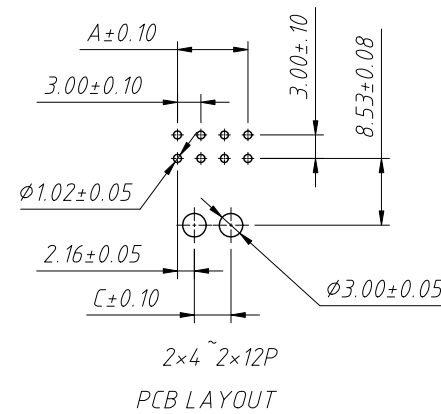
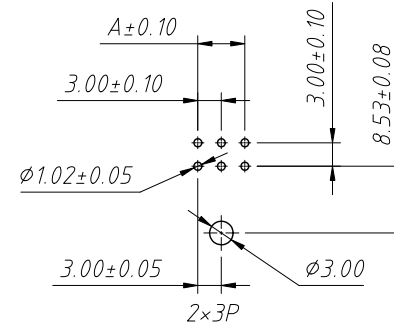
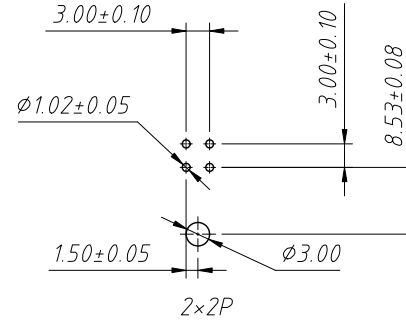
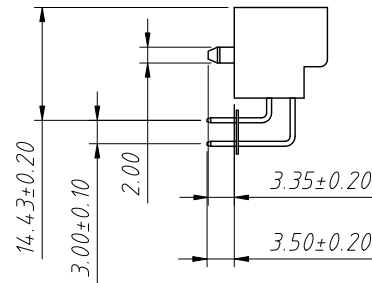
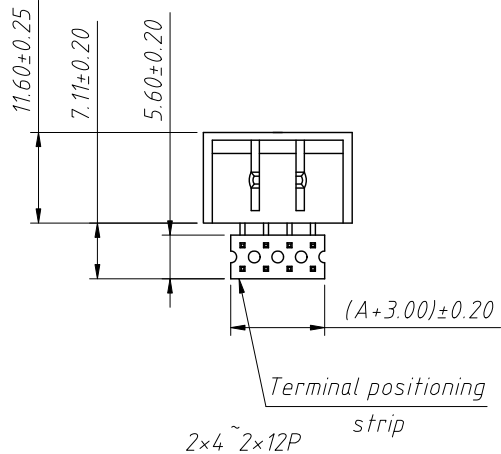
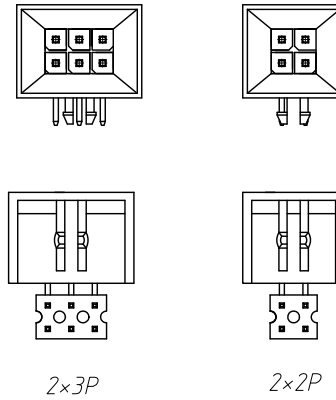
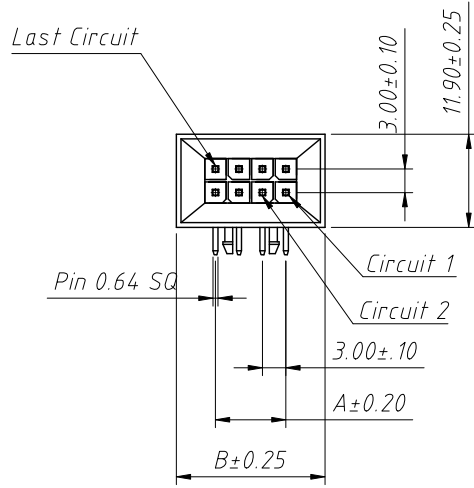


NingBo KLS ELECTRONIC CO.,LTD.

RoHS Compliance



Pin	Dimensions(mm)		
	A	B	C
2x02	3.00	13.00	---
2x03	6.00	16.00	---
2x04	9.00	19.00	4.68
2x05	12.00	22.00	7.68
2x06	15.00	25.00	10.68
2x07	18.00	28.00	13.68
2x08	21.00	31.00	16.68
2x09	24.00	34.00	19.68
2x10	27.00	37.00	22.68
2x11	30.00	40.00	25.68
2x12	33.00	43.00	28.68



Material:

Housing:LCP,UL 94V-0

Color:Blank-Natural Color

Pin:Brass,Bright Tin Plating

Electrical Characteristics:

Current rating:5.0A AC,DC

Voltage rating:250V AC,DC

Insulation resistance:1000MΩ Min.

Withstanding voltage:1000V AC minute

Contact resistance:10mΩ Max.

After environmental testing:20mΩ Max.

Temperature range:-25°C ~ +85°C

Order Information:

L-KLS1-XM3-3.00-2×XX-R2

L: RoHS

Wire To Board

Connector

Pitch:3.00mm

2-Double layer

XX-No. of 04 ~ 24 pins

Type:

MH/FH-Housing MT/FT-Terminal

S1/S2-Straight male pin

R1/R2-Right angle male pin

ANGLE TOLERANCE	PROJECTION	Description:
±3°		3.0mm Pitch Micro-Fit 44133/44300 Right angle 90° and Female
GENERAL TOLERANCE	UNITS	mm
x.x ±0.30	SHEET SIZE	A4
x.xx ±0.20	Draw:	Daniel 2020-11-11
x.xxx ±0.10	Check:	Daniel 2020-11-11



NingBo KLS ELECTRONIC CO.,LTD.