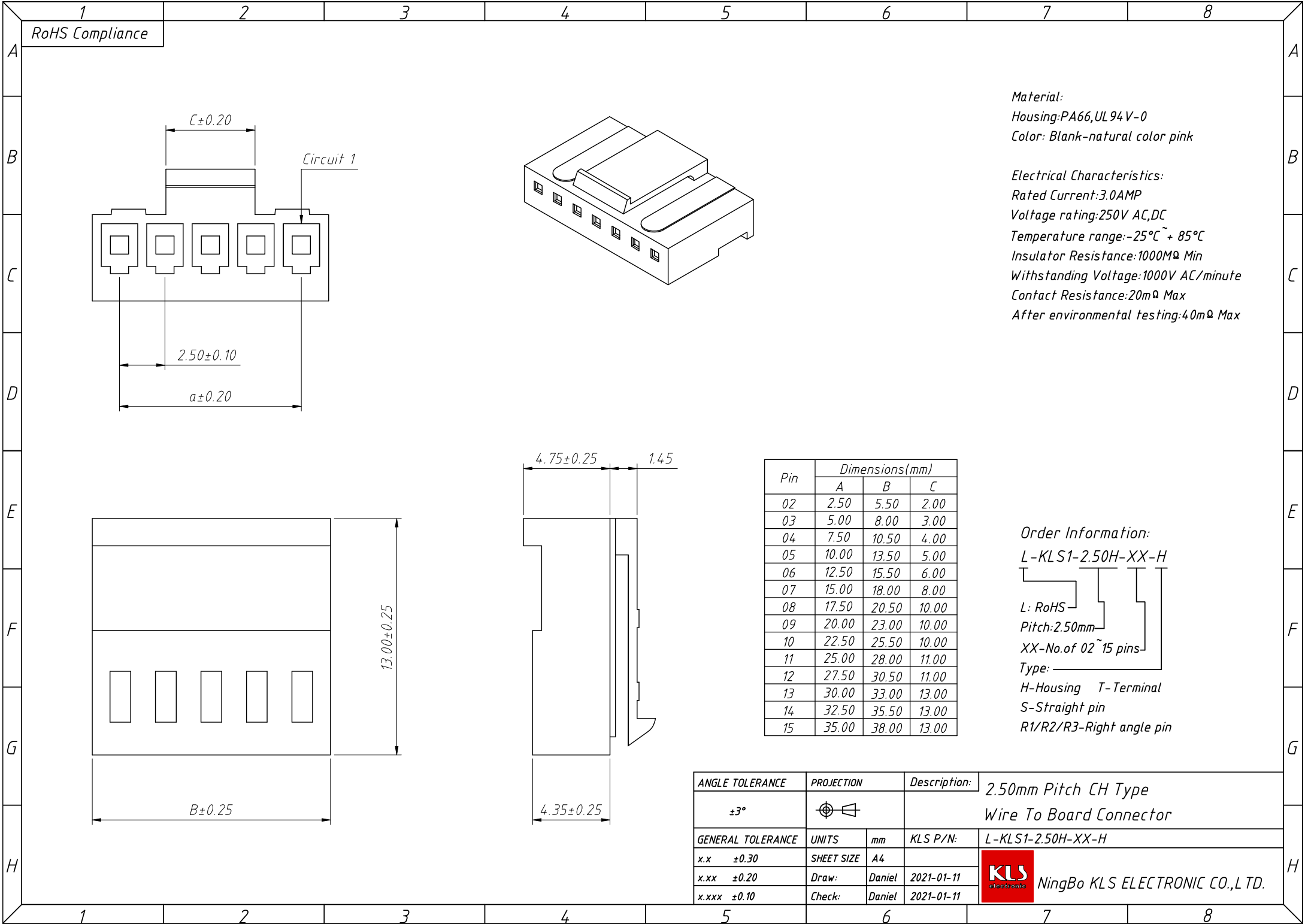


1
RoHS Compliance



Material:
Housing: PA66, UL94V-0
Color: Blank-natural color pink

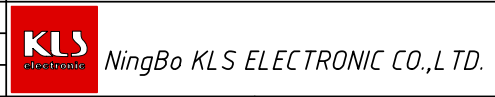
Electrical Characteristics:
Rated Current: 3.0AMP
Voltage rating: 250V AC, DC
Temperature range: $-25^{\circ}\text{C} \sim +85^{\circ}\text{C}$
Insulator Resistance: 1000M Ω Min
Withstanding Voltage: 1000V AC/minute
Contact Resistance: 20m Ω Max
After environmental testing: 40m Ω Max

Pin	Dimensions(mm)		
	A	B	C
02	2.50	5.50	2.00
03	5.00	8.00	3.00
04	7.50	10.50	4.00
05	10.00	13.50	5.00
06	12.50	15.50	6.00
07	15.00	18.00	8.00
08	17.50	20.50	10.00
09	20.00	23.00	10.00
10	22.50	25.50	10.00
11	25.00	28.00	11.00
12	27.50	30.50	11.00
13	30.00	33.00	13.00
14	32.50	35.50	13.00
15	35.00	38.00	13.00

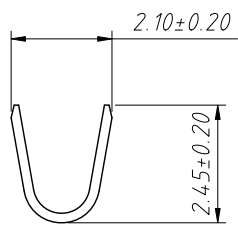
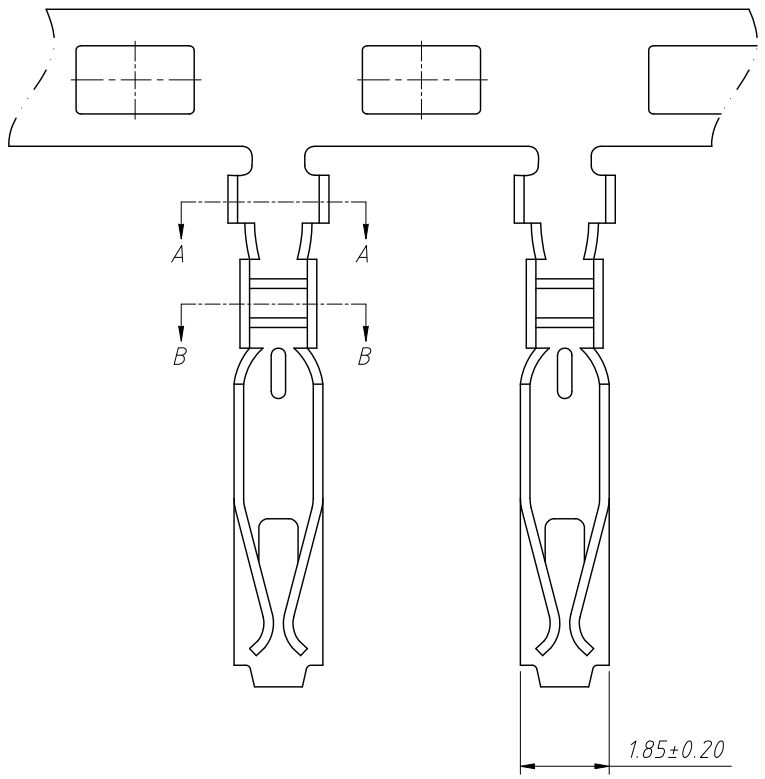
Order Information:
L-KLS1-2.50H-XX-H

L: RoHS
Pitch: 2.50mm
XX-No. of 02~15 pins
Type:
H-Housing T-Terminal
S-Straight pin
R1/R2/R3-Right angle pin

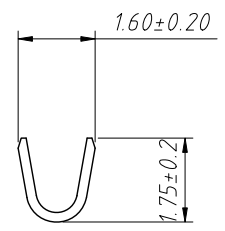
ANGLE TOLERANCE	PROJECTION	Description:	2.50mm Pitch CH Type Wire To Board Connector
$\pm 3^{\circ}$			
GENERAL TOLERANCE	UNITS	mm	KLS P/N: L-KLS1-2.50H-XX-H
x.x ± 0.30	SHEET SIZE	A4	
x.xx ± 0.20	Draw:	Daniel	2021-01-11
x.xxx ± 0.10	Check:	Daniel	2021-01-11



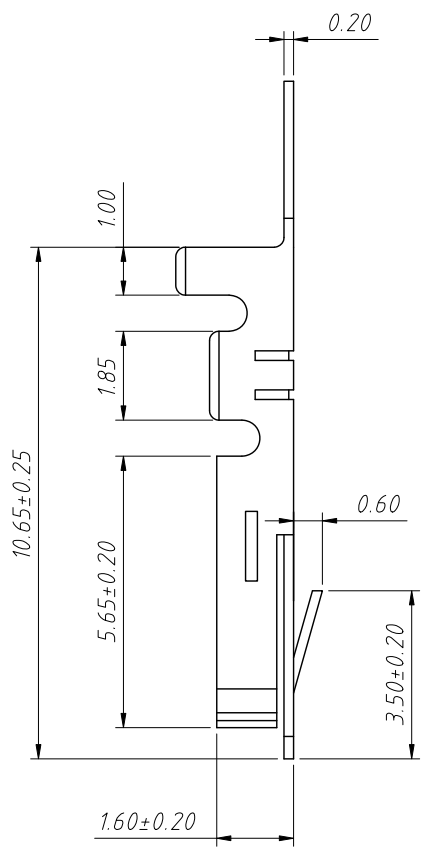
1
RoHS Compliance



Section:A-A



Section:B-B



Material:
 Terminal: Phosphor Bronze
 Plating: Tin plated
 Applicable wires: AWG #22~#28

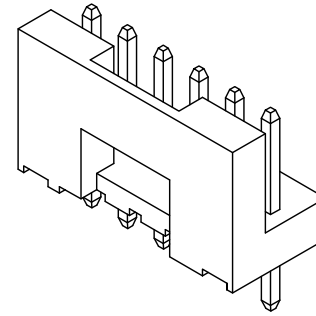
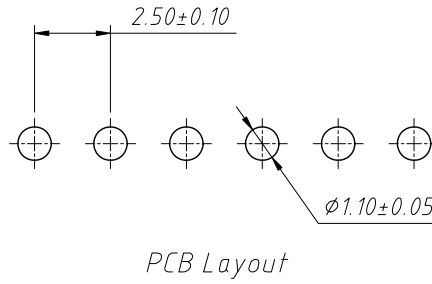
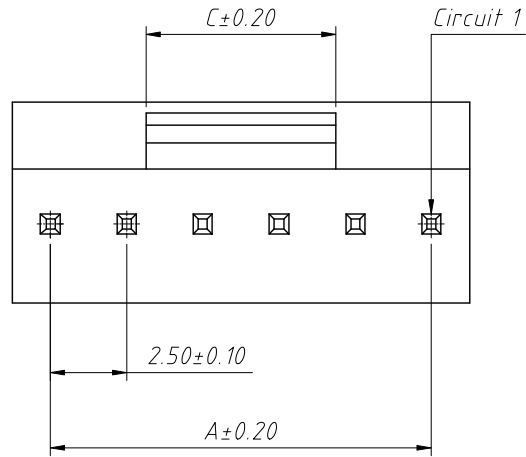
Electrical Characteristics:
 Rated Current: 3.0AMP
 Voltage rating: 250V AC, DC
 Temperature range: -25°C ~ +85°C
 Insulator Resistance: 1000MΩ Min
 Withstanding Voltage: 1000V AC/minute
 Contact Resistance: 20mΩ Max
 After environmental testing: 40mΩ Max

Order Information:
 L-KLS1-2.50H-T

L: RoHS
 Pitch: 2.50mm
 Type:
 H-Housing T-Terminal
 S-Straight pin
 R1/R2/R3-Right angle pin

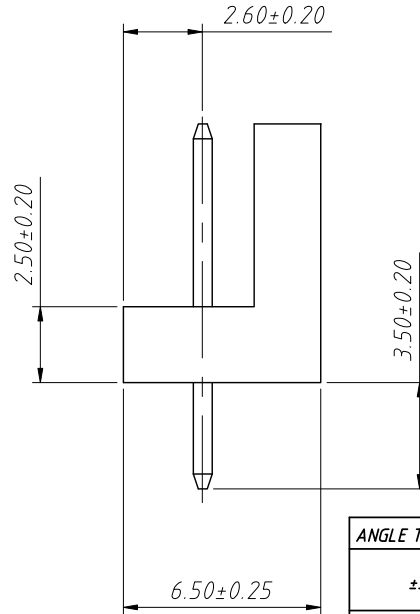
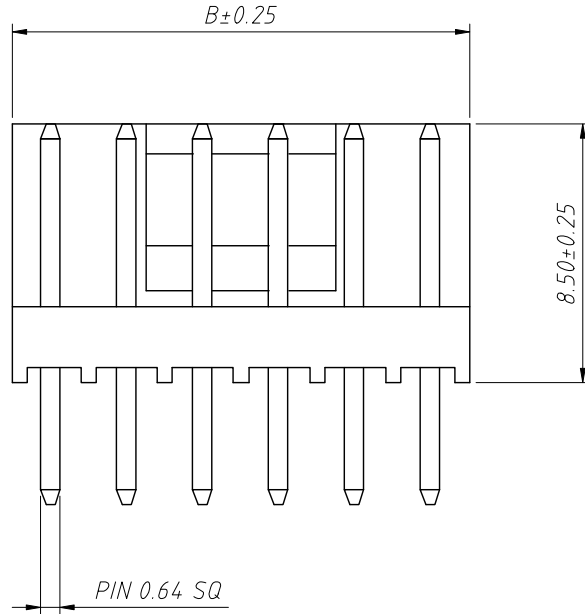
ANGLE TOLERANCE	PROJECTION	Description:	2.50mm Pitch CH Type
±3°		Wire To Board Connector	
GENERAL TOLERANCE	UNITS	mm	KLS P/N: L-KLS1-2.50H-T
x.x ±0.30	SHEET SIZE	A4	NingBo KLS ELECTRONIC CO.,L.TD.
x.xx ±0.20	Draw:	Daniel 2021-01-11	
x.xxx ±0.10	Check:	Daniel 2021-01-11	

1 RoHS Compliance



Material:
 Housing: PA66, UL94V-0
 Color: Blank-natural color pink
 Contact : Brass
 Finish : Tin Plating

Electrical Characteristics:
 Rated Current: 3.0AMP
 Voltage rating: 250V AC, DC
 Temperature range: -25°C ~ + 85°C
 Insulator Resistance: 1000M Ω Min
 Withstanding Voltage: 1000V AC/minute
 Contact Resistance: 20m Ω Max
 After environmental testing: 40m Ω Max



Pin	Dimensions(mm)		
	A	B	C
02	2.50	5.00	2.20
03	5.00	7.50	3.20
04	7.50	10.00	5.20
05	10.00	12.50	5.20
06	12.50	15.00	6.20
07	15.00	17.50	8.20
08	17.50	20.00	10.20
09	20.00	22.50	10.20
10	22.50	25.00	10.20
11	25.00	27.50	11.20
12	27.50	30.00	11.20
13	30.00	32.50	13.20
14	32.50	35.00	13.20
15	35.00	37.50	13.20

Order Information:
 L-KLS1-2.50H-XX-S

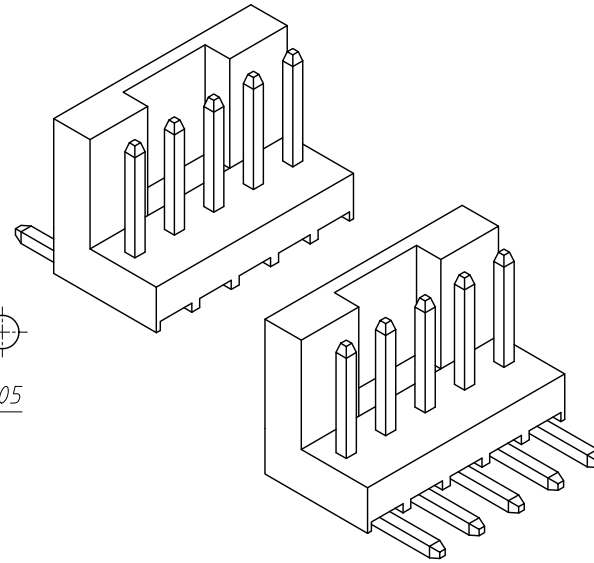
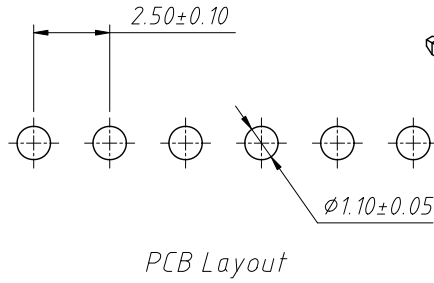
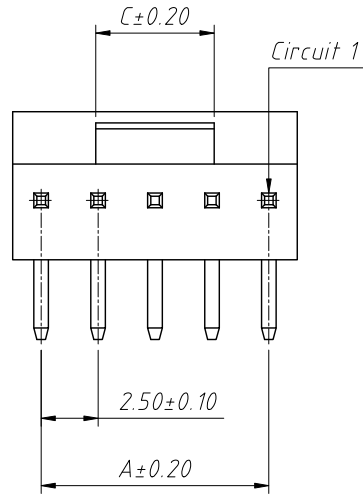
 L: RoHS
 Pitch: 2.50mm
 XX-No. of 02 ~ 15 pins
 Type: _____
 H-Housing T-Terminal
 S-Straight pin
 R1/R2/R3-Right angle pin

ANGLE TOLERANCE	PROJECTION	Description:	2.50mm Pitch CH Type
$\pm 3^\circ$			Wire To Board Connector
GENERAL TOLERANCE	UNITS	mm	KLS P/N:
x.x ± 0.30	SHEET SIZE	A4	L-KLS1-2.50H-XX-S
x.xx ± 0.20	Draw:	Daniel	2021-01-11
x.xxx ± 0.10	Check:	Daniel	2021-01-11



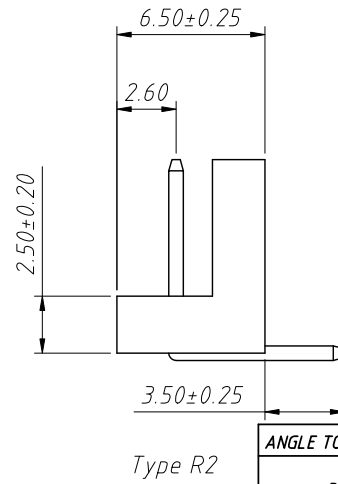
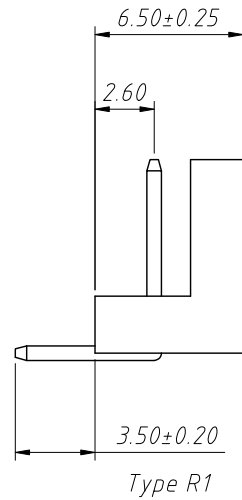
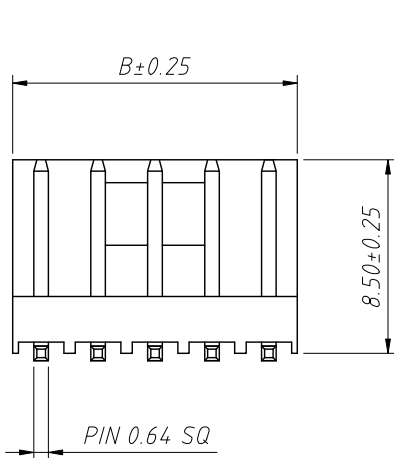
NingBo KLS ELECTRONIC CO.,L.TD.

1 RoHS Compliance



Material:
 Housing: PA66, UL94V-0
 Color: Blank-natural color pink
 Contact: Brass
 Finish: Tin Plating

Electrical Characteristics:
 Rated Current: 3.0AMP
 Voltage rating: 250V AC, DC
 Temperature range: -25°C ~ +85°C
 Insulator Resistance: 1000MΩ Min
 Withstanding Voltage: 1000V AC/minute
 Contact Resistance: 20mΩ Max
 After environmental testing: 40mΩ Max



Pin	Dimensions(mm)		
	A	B	C
02	2.50	5.00	2.20
03	5.00	7.50	3.20
04	7.50	10.00	5.20
05	10.00	12.50	5.20
06	12.50	15.00	6.20
07	15.00	17.50	8.20
08	17.50	20.00	10.20
09	20.00	22.50	10.20
10	22.50	25.00	10.20
11	25.00	27.50	11.20
12	27.50	30.00	11.20
13	30.00	32.50	13.20
14	32.50	35.00	13.20
15	35.00	37.50	13.20

Order Information:
 L-KLS1-2.50H-XX-R1

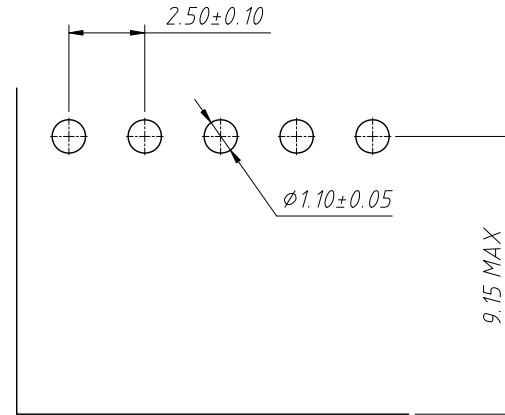
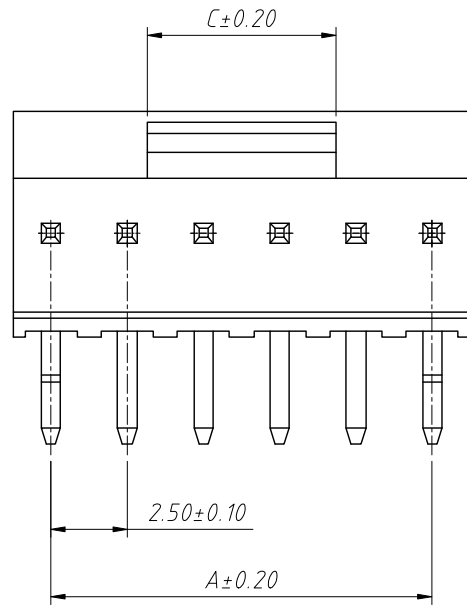
 L: RoHS
 Pitch: 2.50mm
 XX-No. of 02~15 pins
 Type:
 H-Housing T-Terminal
 S-Straight pin
 R1/R2/R3-Right angle pin

ANGLE TOLERANCE	PROJECTION	Description:	2.50mm Pitch CH Type
±3°			Wire To Board Connector
GENERAL TOLERANCE	UNITS	mm	KLS P/N: L-KLS1-2.50H-XX-R1
x.x ±0.30	SHEET SIZE	A4	
x.xx ±0.20	Draw:	Daniel	2021-01-11
x.xxx ±0.10	Check:	Daniel	2021-01-11

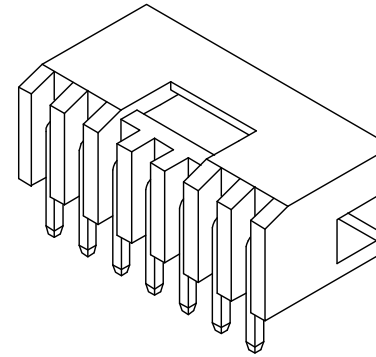


NingBo KLS ELECTRONIC CO.,L.TD.

1 RoHS Compliance

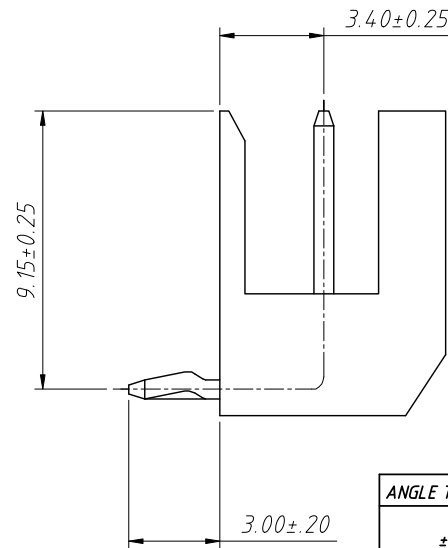
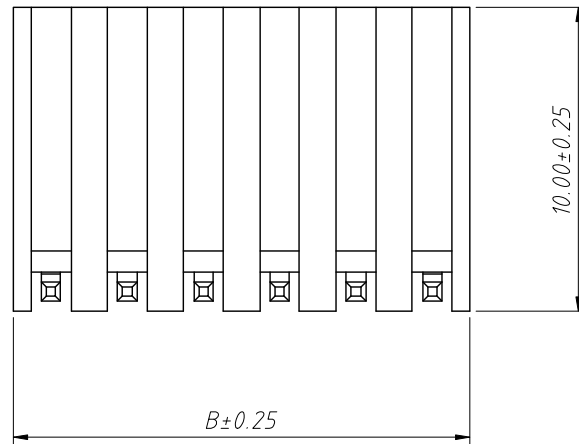


PCB Layout



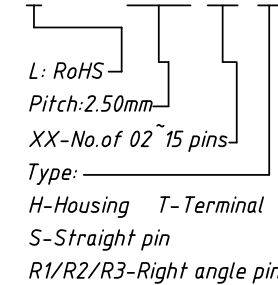
Material:
Housing: PBT, UL 94V-0
Color: Blank-Natural Color White
Contact: Brass
Finish: Bright Tin Plating

Electrical Characteristics:
Rated Current: 3.0AMP
Voltage rating: 250V AC, DC
Temperature range: $-25^{\circ}\text{C} \sim +85^{\circ}\text{C}$
Insulator Resistance: $1000\text{M}\Omega$ Min
Withstanding Voltage: 1000V AC/minute
Contact Resistance: $20\text{m}\Omega$ Max
After environmental testing: $40\text{m}\Omega$ Max



Pin	Dimensions(mm)		
	A	B	C
02	2.50	5.00	2.20
03	5.00	7.50	3.20
04	7.50	10.00	5.20
05	10.00	12.50	5.20
06	12.50	15.00	6.20
07	15.00	17.50	8.20
08	17.50	20.00	10.20
09	20.00	22.50	10.20
10	22.50	25.00	10.20
11	25.00	27.50	11.20
12	27.50	30.00	11.20
13	30.00	32.50	13.20
14	32.50	35.00	13.20
15	35.00	37.50	13.20

Order Information:
L-KLS1-2.50H-XX-R3



ANGLE TOLERANCE	PROJECTION	Description:
$\pm 3^{\circ}$		2.50mm Pitch CH Type Wire To Board Connector
GENERAL TOLERANCE	UNITS	mm
x.x ± 0.30	SHEET SIZE	A4
x.xx ± 0.20	Draw:	Daniel 2021-01-11
x.xxx ± 0.10	Check:	Daniel 2021-01-11

NingBo KLS ELECTRONIC CO.,L TD.