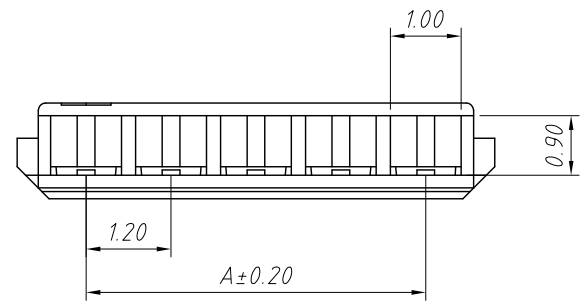


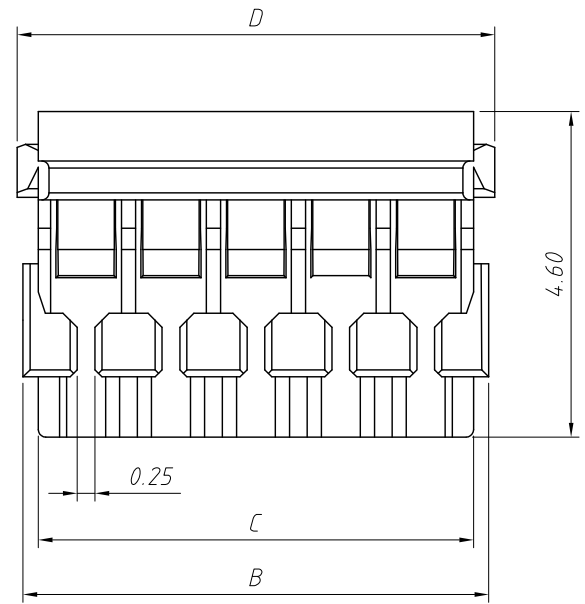
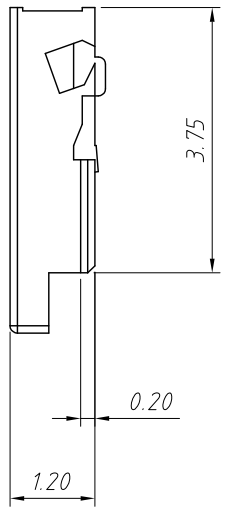
1  
RoHS Compliance

Poles	Dimensions(mm)			
	A	B	C	D
02	1.20	2.98	2.55	3.15
03	2.40	4.18	3.75	4.35
04	3.60	5.38	4.95	5.55
05	4.80	6.58	6.15	6.75
06	6.00	7.78	7.35	7.95



Material:  
Housing:PBT ,UL94V-0  
Color:B-Black W-White

Electrical Characteristics:  
Current rating:2.0A AC,DC  
Voltage rating:50V AC,DC  
Temperature range:-25°C ~ + 85°C  
Insulation resistance:100MΩ/Min.  
Withstanding voltage:500V AC/minute  
Contact resistance:20mΩ/Max.



Order Information:  
L-KLS1-XL3-1.20-XX-H-B

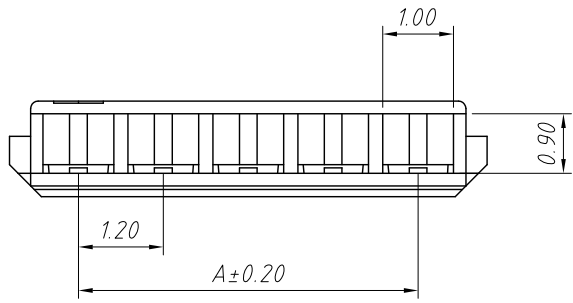
L: RoHS  
1.20mm Pitch  
XX-No. of 02~06pin  
Type: T-Terminal  
H-Hosing HA-Hosing  
M=SMT Male pin  
Color:B-Black W-White

ANGLE TOLERANCE	PROJECTION	Description:	1.20mm Pitch DF57
±3°			Wire to board connector
GENERAL TOLERANCE	UNITS	mm	KLS P/N:
x.x ±0.30	SHEET SIZE	A4	L-KLS1-XL3-1.20-XX-H-B
x.xx ±0.20	Draw:	Daniel	2020-11-11
x.xxx ±0.10	Check:	Daniel	2020-11-11



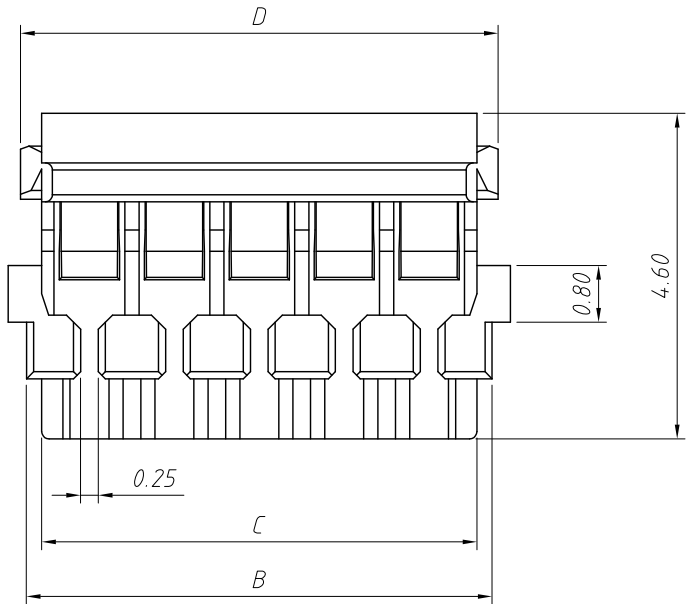
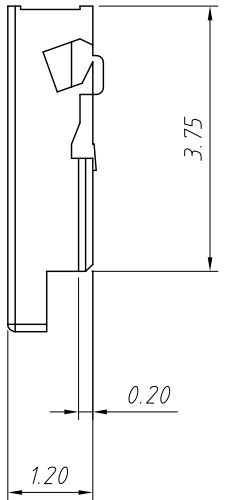
1  
RoHS Compliance

Poles	Dimensions(mm)			
	A	B	C	D
02	1.20	2.98	2.55	3.15
03	2.40	4.18	3.75	4.35
04	3.60	5.38	4.95	5.55
05	4.80	6.58	6.15	6.75
06	6.00	7.78	7.35	7.95



Material:  
Housing:PBT ,UL94V-0  
Color:B-Black W-White

Electrical Characteristics:  
Current rating:2.0A AC,DC  
Voltage rating:50V AC,DC  
Temperature range:-25°C ~ + 85°C  
Insulation resistance:100MΩ/Min.  
Withstanding voltage:500V AC/minute  
Contact resistance:20mΩ/Max.



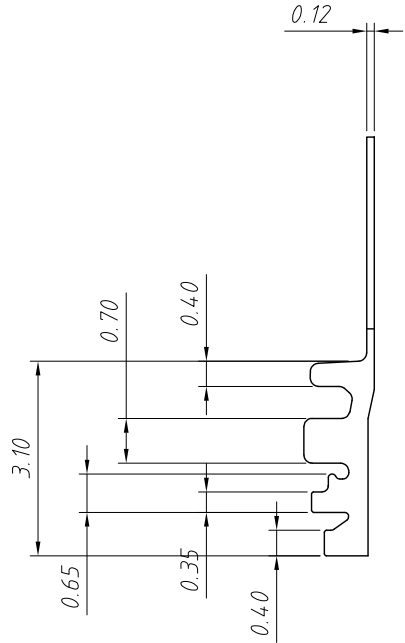
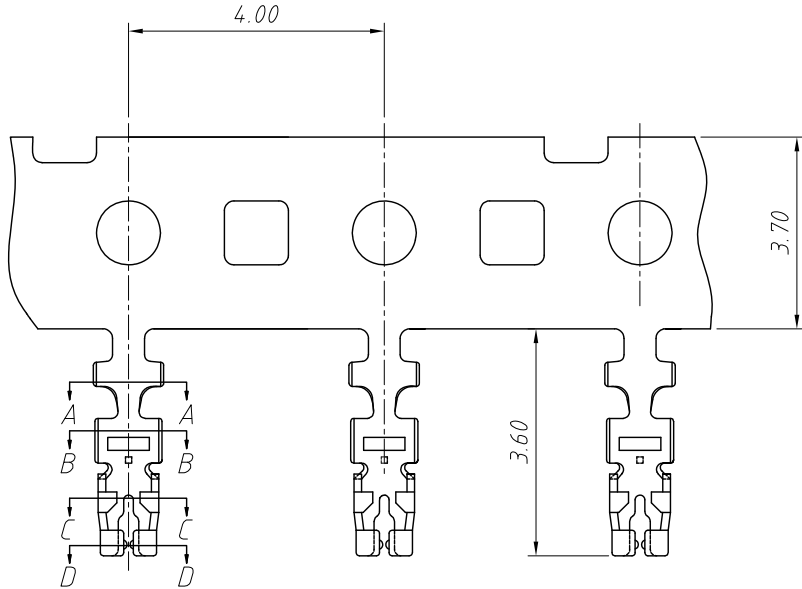
Order Information:  
L-KLS1-XL3-1.20-XX-HA-B

L: RoHS  
1.20mm Pitch  
XX-No. of 02~06pin  
Type: T-Terminal  
H-Hosing HA-Hosing  
M=SMT Male pin  
Color:B-Black W-White

ANGLE TOLERANCE	PROJECTION	Description:	1.20mm Pitch DF57
±3°			Wire to board connector
GENERAL TOLERANCE	UNITS	mm	KLS P/N:
x.x ±0.30	SHEET SIZE	A4	L-KLS1-XL3-1.20-XX-HA-B
x.xx ±0.20	Draw:	Daniel	2020-11-11
x.xxx ±0.10	Check:	Daniel	2020-11-11

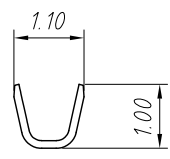


1  
RoHS Compliance

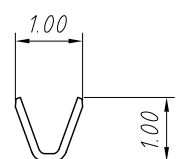


**Material:**  
Terminal: Phosphor Bronze  
Finish: Gold flash  
Applicable wires: AWG #28 ~ #32  
Insulation O.D.: 0.63mm Max.  
Qty/reel: 30000 pcs

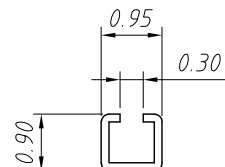
**Electrical Characteristics:**  
Current rating: 2.0A AC, DC  
Voltage rating: 50V AC, DC  
Temperature range: -25°C ~ +85°C  
Insulation resistance: 100M $\Omega$ /Min.  
Withstanding voltage: 500V AC/minute  
Contact resistance: 20m $\Omega$ /Max.



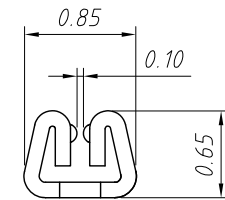
A-A



B-B



C-C



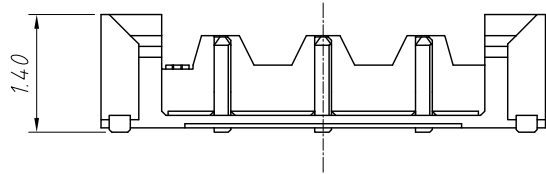
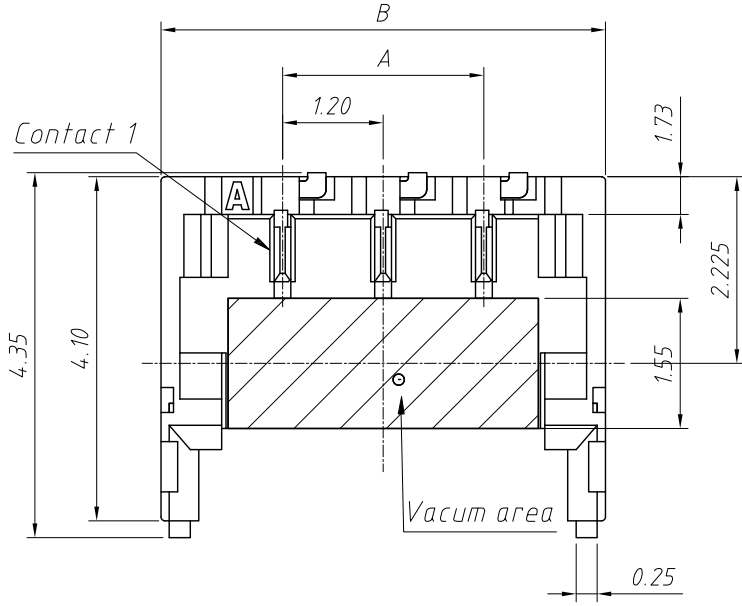
D-D

**Order Information:**  
L-KLS1-XL3-1.20-T  
L: RoHS  
1.20mm Pitch  
Type: T-Terminal  
H-Hosing HA-Hosing  
M=SMT Male pin

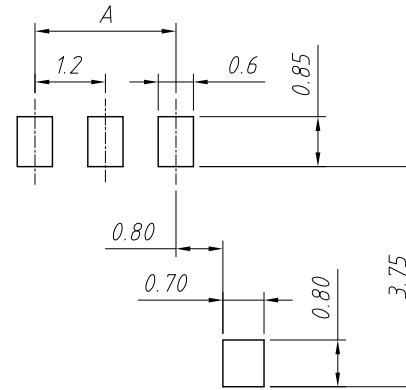
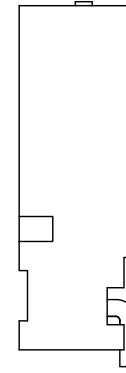
ANGLE TOLERANCE	PROJECTION	Description:	1.20mm Pitch Terminal	
$\pm 3^\circ$				
GENERAL TOLERANCE	UNITS	mm	KLS P/N:	L-KLS1-XL3-1.20-T
x.x $\pm 0.30$	SHEET SIZE	A4		
x.xx $\pm 0.20$	Draw:	Daniel	2020-11-11	
x.xxx $\pm 0.10$	Check:	Daniel	2020-11-11	

**NingBo KLS ELECTRONIC CO.,LTD.**

1 RoHS Compliance



Poles	Dimensions(mm)	
	A	B
02	1.20	4.10
03	2.40	5.30
04	3.60	6.50
05	4.80	7.70
06	6.00	8.90



**Material:**  
 Wafer: LCP, UL94V-0  
 Color: B-Black W-White  
 PIN: Brass, Matte Tin Plated  
 Solder Tabs: Brass, Matte Tin Plated

**Electrical Characteristics:**  
 Current rating: 2.0A AC, DC  
 Voltage rating: 50V AC, DC  
 Temperature range: -25°C ~ +85°C  
 Insulation resistance: 100MΩ/Min.  
 Withstanding voltage: 500V AC/minute  
 Contact resistance: 20mΩ/Max.

**Order Information:**  
 L-KLS1-XL3-1.20-XX-M-B

L: RoHS  
 1.20mm Pitch  
 XX-No. of 02~06pin  
 Type: T-Terminal  
 H-Hosing HA-Hosing  
 M=SMT Male pin  
 Color: B-Black W-White

Recommended PCB Layout  
 General Tolerance ±0.05

ANGLE TOLERANCE	PROJECTION	Description:	1.20mm Pitch DF57
±3°			Wire to board connector
GENERAL TOLERANCE	UNITS	mm	KLS P/N:
x.x ±0.30	SHEET SIZE	A4	L-KLS1-XL3-1.20-XX-M-B
x.xx ±0.20	Draw:	Daniel	2020-11-11
x.xxx ±0.10	Check:	Daniel	2020-11-11



NingBo KLS ELECTRONIC CO., L.TD.