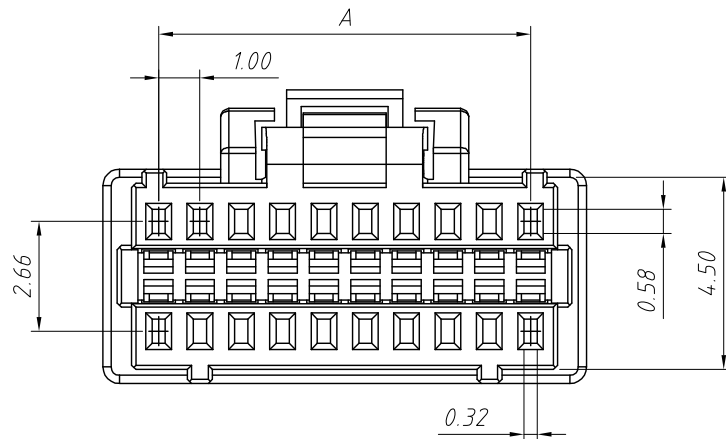
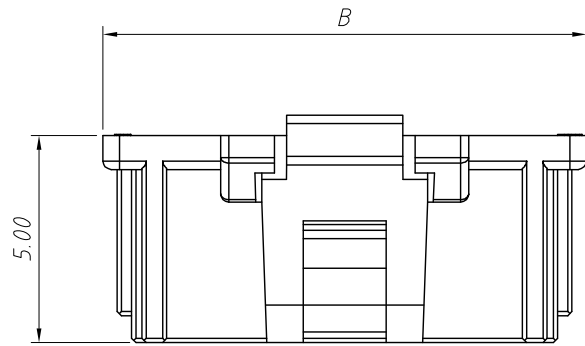
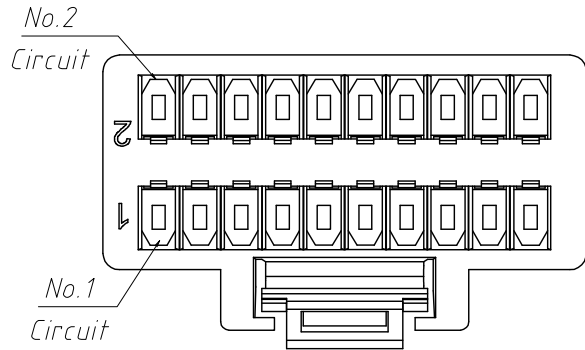
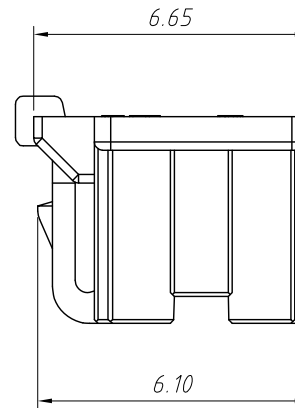


1
RoHS Compliance



Material:
Housing:PA66 ,UL 94V-0,
Colour:Natural

Electrical Characteristics:
Current rating:1.0A AC,DC
Voltage rating:50V AC,DC
Temperature range:-25°C ~ + 85°C
Insulation resistance:100MΩ/Min.
Withstanding voltage:250V AC/minute
Contact resistance:20mΩ/Max.

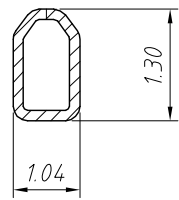
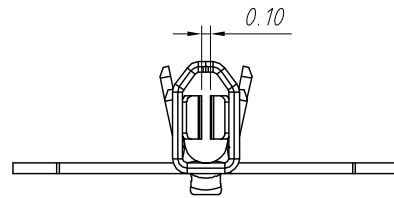
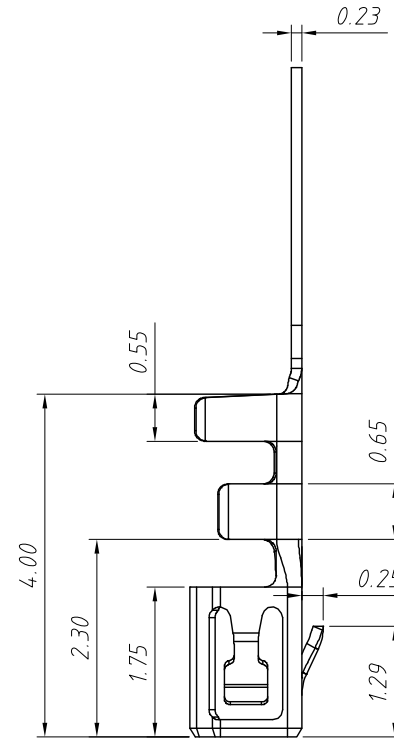
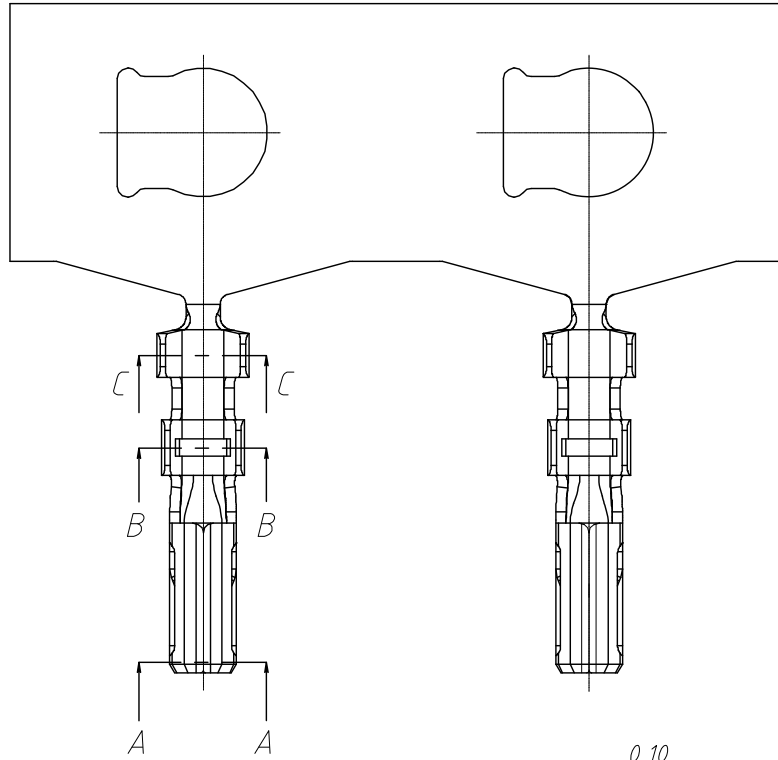


Poles	Dimensions(mm)		
	A	B	C
2x2	1.00	3.00	2.40
2x3	2.00	4.00	3.40
2x4	3.00	5.00	4.40
2x5	4.00	6.00	5.40
2x6	5.00	7.00	6.40
2x7	6.00	8.00	7.40
2x8	7.00	9.00	8.40
2x9	8.00	10.00	9.40
2x10	9.00	11.00	10.40
2x11	10.00	12.00	11.40
2x12	11.00	13.00	12.40
2x13	12.00	14.00	13.40
2x14	13.00	15.00	14.40
2x15	14.00	16.00	15.40
2x16	15.00	17.00	16.40
2x17	16.00	18.00	17.40
2x18	17.00	19.00	18.40
2x19	18.00	20.00	19.40
2x20	19.00	21.00	20.40

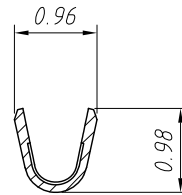
Order Information:
L-KLS1-XF13-1.00-XX-H
L: RoHS
1.00mm Pitch
XX-No. of 04 ~ 40pin
Type: _____
H-Hosing T-Terminal
VM-Vertical SMT Pin
RM-Horizontal SMT Pin

ANGLE TOLERANCE	PROJECTION	Description:	1.00mm Pitch 501189 501190
±3°			Wire to board connector
GENERAL TOLERANCE	UNITS	mm	KLS P/N: L-KLS1-XF13-1.00-XX-H
x.x ±0.30	SHEET SIZE	A4	NingBo KLS ELECTRONIC CO.,L TD.
x.xx ±0.20	Draw:	Daniel 2020-11-11	
x.xxx ±0.10	Check:	Daniel 2020-11-11	

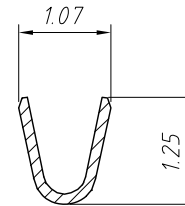
1
RoHS Compliance



SECTION A-A



SECTION B-B



SECTION C-C

Material:
Terminal: Phosphor Bronze
Finish: Gold plated
Applicable wires: AWG #28 ~ #32
Insulation O.D.: 0.8mm Max.
Qty/reel: 15000PCS

Electrical Characteristics:
Current rating: 1.0A AC, DC
Voltage rating: 50V AC, DC
Temperature range: -25°C ~ +85°C
Insulation resistance: 100MΩ/Min.
Withstanding voltage: 250V AC/minute
Contact resistance: 20mΩ/Max.

Order Information:

L-KLS1-XF13-1.00-T

L: RoHS

1.00mm Pitch

Type:

H-Hosing T-Terminal

VM-Vertical SMT Pin

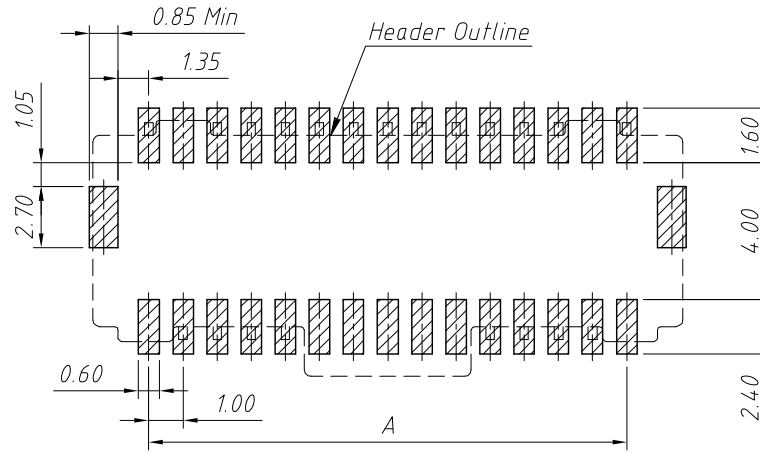
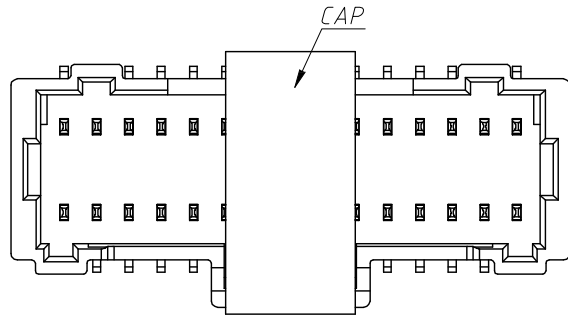
RM-Horizontal SMT Pin

ANGLE TOLERANCE	PROJECTION	Description:	1.00mm Pitch 501189 501190
±3°			Wire to board connector
GENERAL TOLERANCE	UNITS	mm	KLS P/N:
x.x ±0.30	SHEET SIZE	A4	L-KLS1-XF13-1.00-T
x.xx ±0.20	Draw:	Daniel	2020-11-11
x.xxx ±0.10	Check:	Daniel	2020-11-11

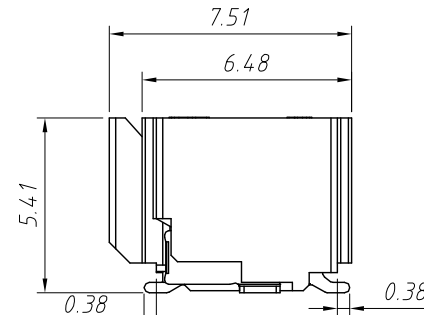
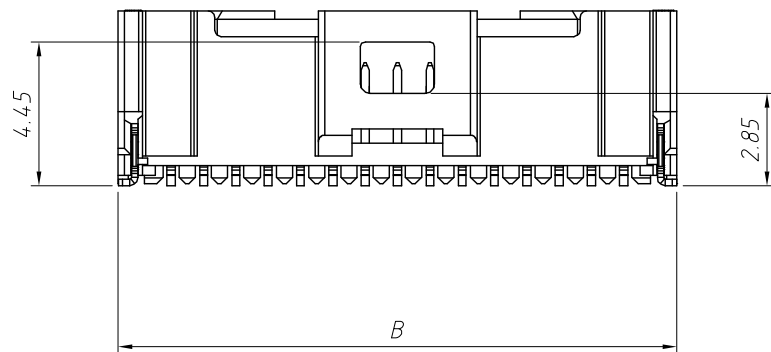
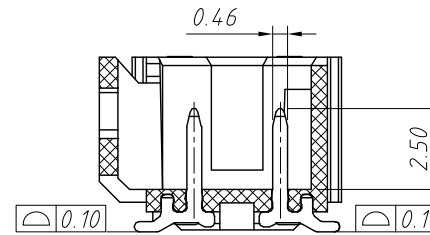
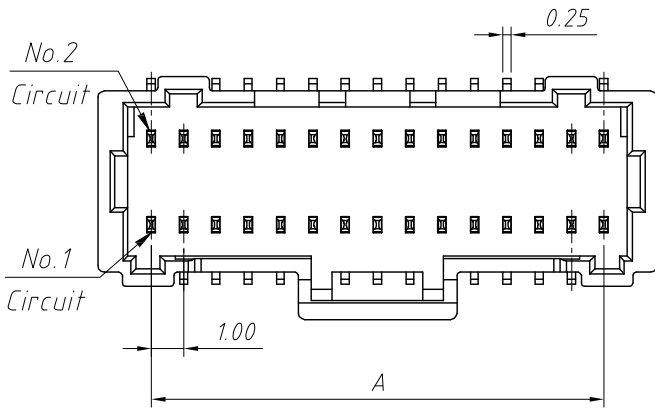


NingBo KLS ELECTRONIC CO.,LTD.

1 RoHS Compliance



Recommended PCB Layout (Top Side)
PCB Board Tolerance ±0.05



Material:
Wafer: PA6T, UL94V-0,
Colour: Natural
Pin: Phosphor Bronze, Gold plated
Solder Tabs: Brass, Tin-plated

Electrical Characteristics:
Current rating: 1.0A AC, DC
Voltage rating: 50V AC, DC
Temperature range: -25°C ~ +85°C
Insulation resistance: 100MΩ/Min.
Withstanding voltage: 250V AC/minute
Contact resistance: 20mΩ/Max.

Poles	Dimensions (mm)	
	A	B
2×10	9.00	12.30
2×15	14.00	17.30
2×16	15.00	18.30
2×20	19.00	22.30
2×25	24.00	27.30

Order Information:
L-KLS1-XF13-1.00-XX-VM

L: RoHS
1.00mm Pitch
XX-No. of 20 ~ 50 pin
Type: H-Hosing T-Terminal
VM-Vertical SMT Pin
RM-Horizontal SMT Pin

ANGLE TOLERANCE	PROJECTION	Description:	1.00mm Pitch 501189 501190
±3°			Wire to board connector
GENERAL TOLERANCE	UNITS	mm	KLS P/N:
x.x ±0.30	SHEET SIZE	A4	L-KLS1-XF13-1.00-XX-VM
x.xx ±0.20	Draw:	Daniel	2020-11-11
x.xxx ±0.10	Check:	Daniel	2020-11-11



NingBo KLS ELECTRONIC CO., L TD.