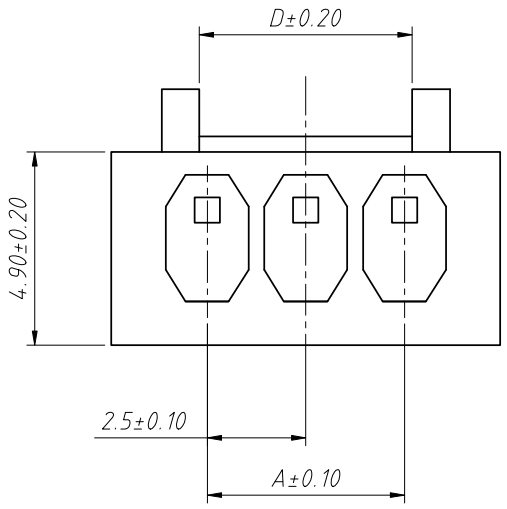


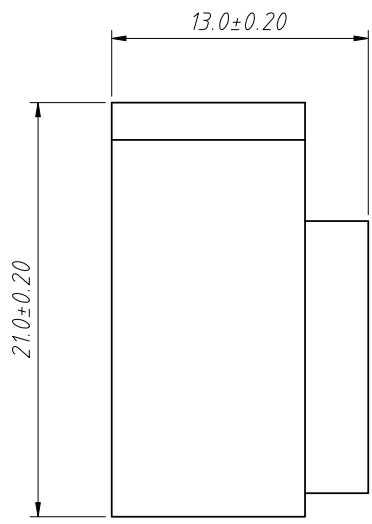
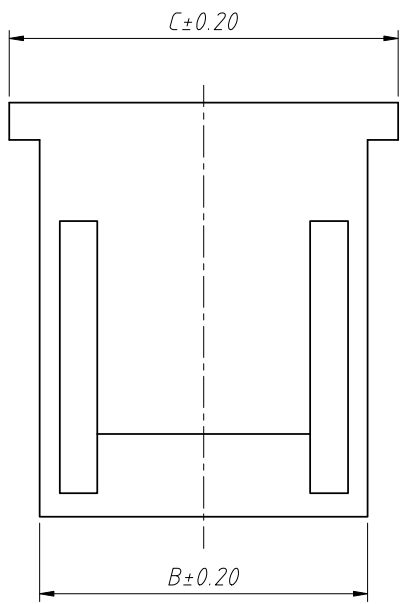
1
RoHS Compliance



Pin	Dimensions(mm)			
	A	B	C	D
02	2.50	5.90	7.40	2.90
03	5.00	8.40	10.00	5.40
04	7.50	10.90	12.50	7.90

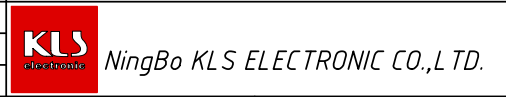
Material:
Housing:PA66,UL 94V-2

Electrical Characteristics:
Rated Current:2.0AMP
Voltage rating:250V AC,DC
Temperature range:-25°C ~ + 85°C
Insulator Resistance:800MΩ Min
Withstanding Voltage:500V AC/minute
Contact Resistance:20mΩ Max

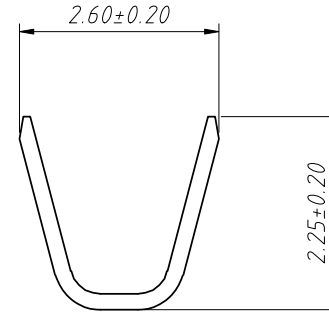
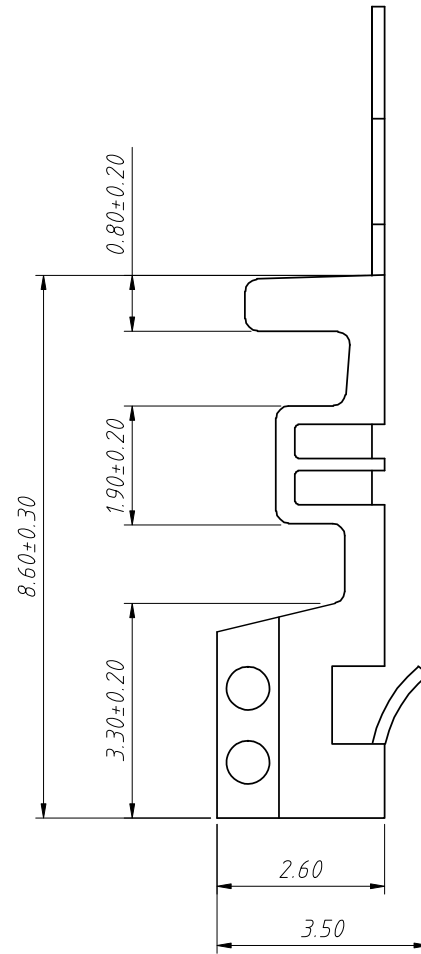
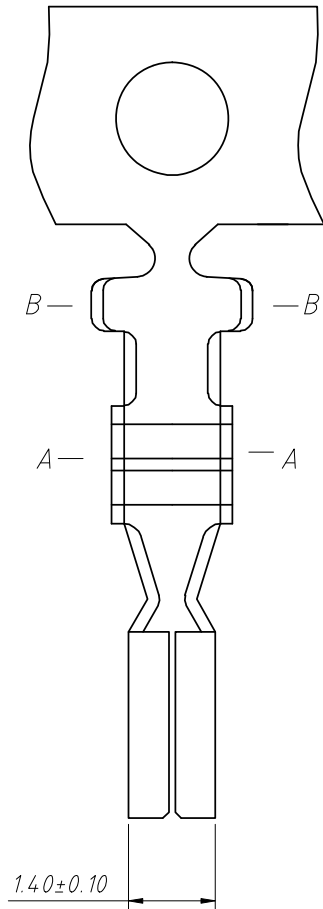


Order Information:
L-KLS1-XM1-2.54-XX-FH
L: RoHS
Pitch:2.50mm
XX-No. of 02 ~ 04pins
Type:
MH-Male Housing FH-Female Housing
MT-Male Terminal FT-Female Terminal
S-Straight male pin R-Right angle male pin

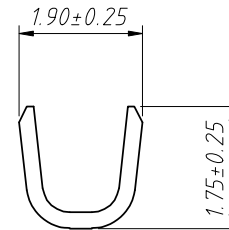
ANGLE TOLERANCE	PROJECTION	Description:	2.50mm Pitch 5102 5240 Wire To Wire Connector
±3°			
GENERAL TOLERANCE	UNITS	mm	KLS P/N: L-KLS1-XM1-2.54-XX-FH
x.x ±0.30	SHEET SIZE	A4	
x.xx ±0.20	Draw:	Daniel	2021-01-11
x.xxx ±0.10	Check:	Daniel	2021-01-11



1
RoHS Compliance



B-B



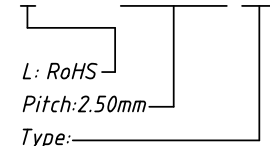
A-A

Material:
Terminal: Brass
Plating: Tin plated
Applicable wires: AWG #22 ~ #28
Insulation O.D.: 1.80mm
Thickness: 0.20mm
Qty/reel: 7000 PCS

Electrical Characteristics:
Rated Current: 2.0AMP
Voltage rating: 250V AC, DC
Temperature range: -25°C ~ +85°C
Insulator Resistance: 800MΩ Min
Withstanding Voltage: 500V AC/minute
Contact Resistance: 20mΩ Max

Order Information:

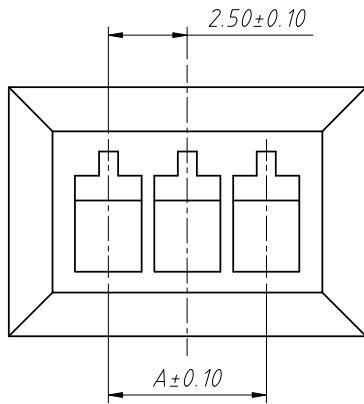
L-KLS1-XM1-2.54-FT



Type:
MH-Male Housing FH-Female Housing
MT-Male Terminal FT-Female Terminal
S-Straight male pin R-Right angle male pin

ANGLE TOLERANCE	A-A		PROJECTION	Description:	2.50mm Pitch 5102 5240
±3°					Wire To Wire Connector
GENERAL TOLERANCE	UNITS	mm	KLS P/N:	L-KLS1-XM1-2.54-FT	
x.x ±0.30	SHEET SIZE	A4			
x.xx ±0.20	Draw:	Daniel	2021-01-11	NingBo KLS ELECTRONIC CO.,LTD.	
x.xxx ±0.10	Check:	Daniel	2021-01-11		

1 RoHS Compliance



Pin	Dimensions(mm)		
	A	B	C
02	2.50	5.90	8.70
03	5.00	8.40	11.20
04	7.50	10.90	13.70

Material:

Housing:PA66,UL 94V-2

Electrical Characteristics:

Rated Current:2.0AMP

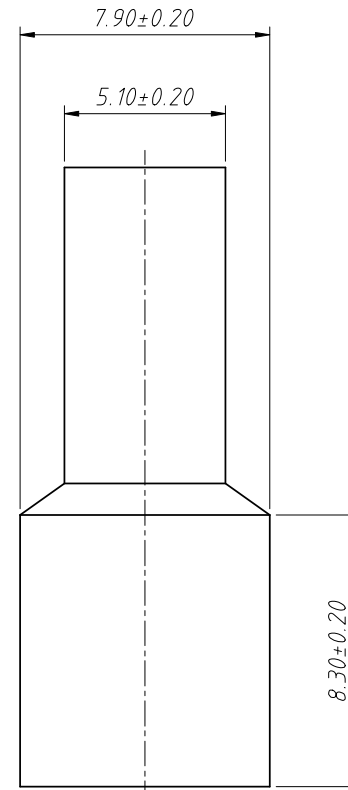
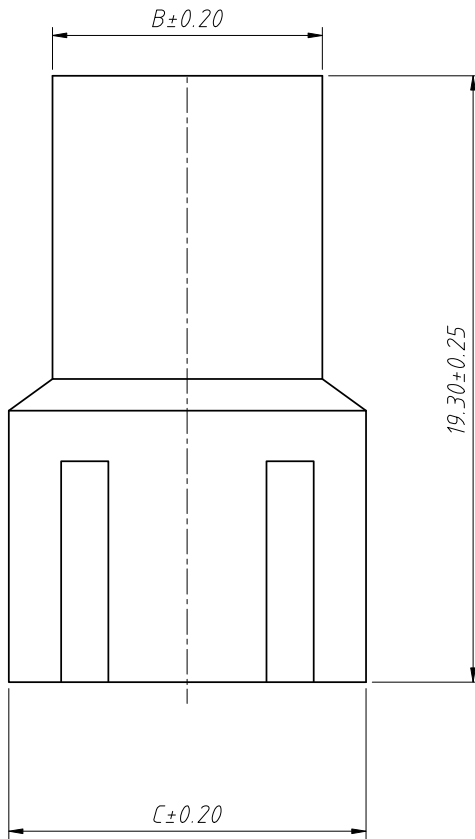
Voltage rating:250V AC,DC

Temperature range:-25°C ~ + 85°C

Insulator Resistance:800M Ω Min

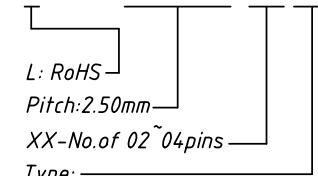
Withstanding Voltage:500V AC/minute

Contact Resistance:20m Ω Max



Order Information:

L-KLS1-XM1-2.54-XX-MH



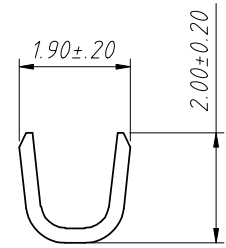
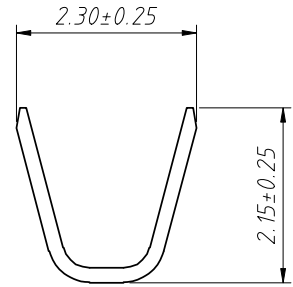
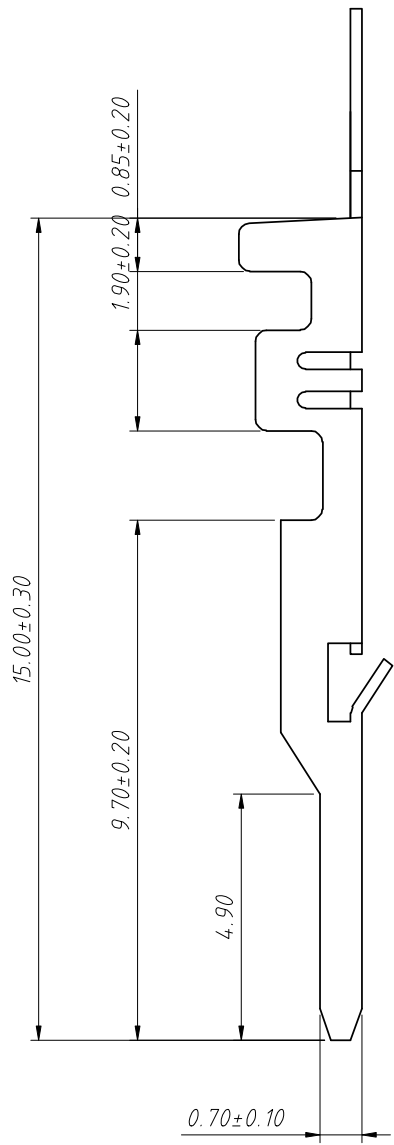
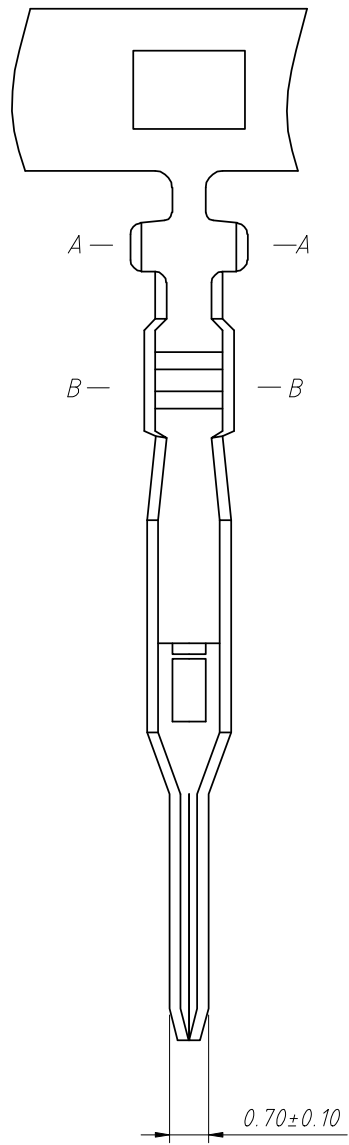
MH-Male Housing FH-Female Housing

MT-Male Terminal FT-Female Terminal

S-Straight male pin R-Right angle male pin

ANGLE TOLERANCE	A	PROJECTION	Description:	2.50mm Pitch 5102 5240
$\pm 3^\circ$				Wire To Wire Connector
GENERAL TOLERANCE	UNITS	mm	KLS P/N:	L-KLS1-XM1-2.54-XX-MH
x.x ± 0.30	SHEET SIZE	A4		NingBo KLS ELECTRONIC CO.,L TD.
x.xx ± 0.20	Draw:	Daniel	2021-01-11	
x.xxx ± 0.10	Check:	Daniel	2021-01-11	

1
RoHS Compliance



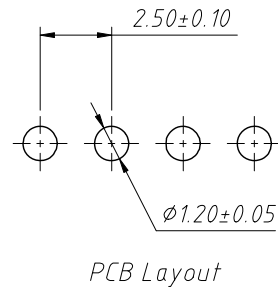
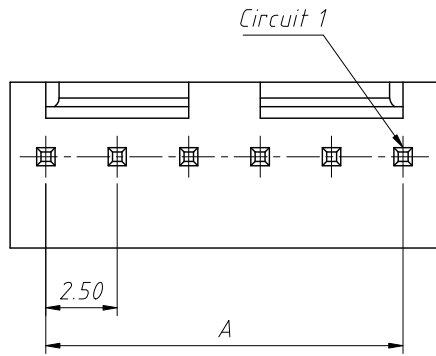
Material:
 Terminal: Brass
 Plating: Tin plated
 Applicable wires: AWG #22 ~ # 28
 Insulation O.D: 1.80mm
 Thickness: 0.20mm
 Qty/reel: 10000 PCS

Electrical Characteristics:
 Rated Current: 2.0AMP
 Voltage rating: 250V AC, DC
 Temperature range: -25°C ~ + 85°C
 Insulator Resistance: 800MΩ Min
 Withstanding Voltage: 500V AC/minute
 Contact Resistance: 20mΩ Max

Order Information:
 L-KLS1-XM1-2.54-MT
 L: RoHS
 Pitch: 2.50mm
 Type: _____
 MH-Male Housing FH-Female Housing
 MT-Male Terminal FT-Female Terminal
 S-Straight male pin R-Right angle male pin

ANGLE TOLERANCE	A-A		PROJECTION	Description:	2.50mm Pitch 5102 5240 Wire To Wire Connector
±3°					
GENERAL TOLERANCE	UNITS	mm	KLS P/N:	L-KLS1-XM1-2.54-MT	
x.x ±0.30	SHEET SIZE	A4			
x.xx ±0.20	Draw:	Daniel	2021-01-11	NingBo KLS ELECTRONIC CO.,LTD.	
x.xxx ±0.10	Check:	Daniel	2021-01-11		

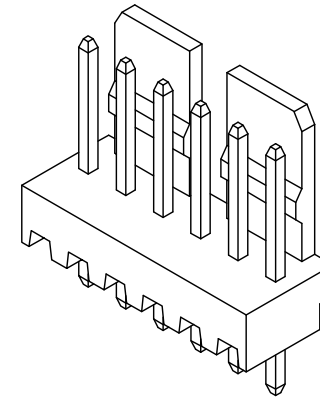
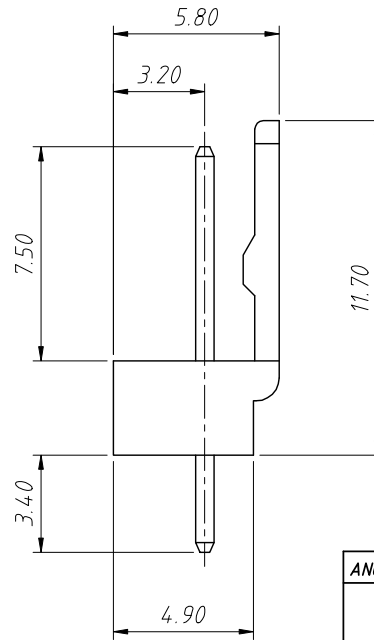
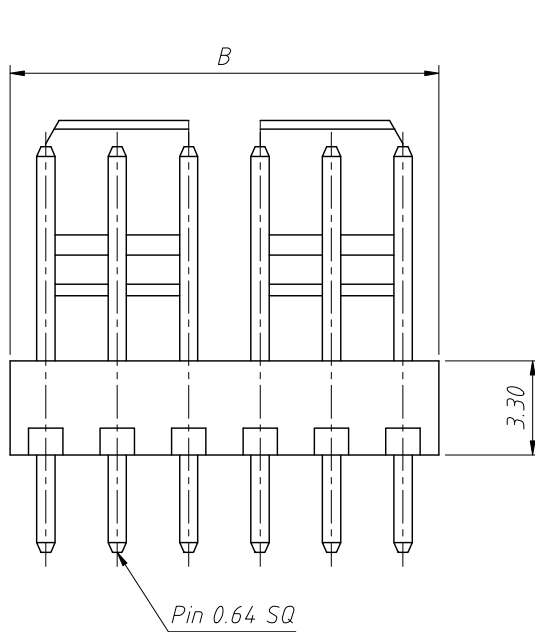
1 RoHS Compliance



Pin	Dimensions(mm)		Pin	Dimensions(mm)	
	A	B		A	B
02	2.50	5.00	12	27.50	30.00
03	5.00	7.50	13	30.00	32.50
04	7.50	10.00	14	32.50	35.00
05	10.00	12.50	15	35.00	37.50
06	12.50	15.00	16	37.50	40.00
07	15.00	17.50	17	40.00	42.50
08	17.50	20.00	18	42.50	45.00
09	20.00	22.50	19	45.00	47.50
10	22.50	25.00	20	47.50	50.00
11	25.00	27.50			

Material:
Housing:PA66,UL94V-0
Contact : Brass
Plating : Bright Tin Plating

Electrical Characteristics:
Rated Current:3.0AMP
Voltage rating:250V AC,DC
Temperature range:-25°C ~ + 85°C
Insulator Resistance:1000MΩ Min
Withstanding Voltage:1500V AC/minute
Contact Resistance:20mΩ Max
After environmental testing:4.0mΩ Max



Order Information:

L-KLS1-XM1-2.54-XX-S

L: RoHS

Pitch:2.50mm

XX-No.of 02 ~ 20 pins

Type:

MH-Male Housing FH-Female Housing

MT-Male Terminal FT-Female Terminal

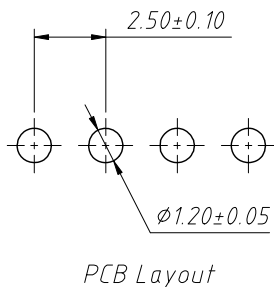
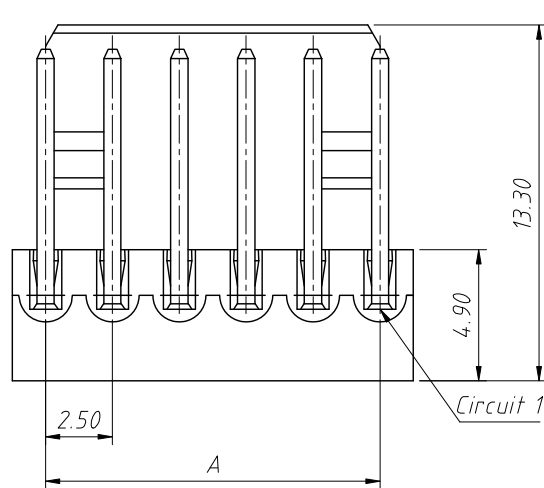
S-Straight male pin R-Right angle male pin

ANGLE TOLERANCE	A	PROJECTION	Description:
±3°			2.50mm Pitch Wire To Wire Connector
GENERAL TOLERANCE	UNITS	mm	KLS P/N:
x.x ±0.30	SHEET SIZE	A4	L-KLS1-XM1-2.54-XX-S
x.xx ±0.20	Draw:	Daniel	2021-01-11
x.xxx ±0.10	Check:	Daniel	2021-01-11



NingBo KLS ELECTRONIC CO.,LTD.

RoHS Compliance



Pin	Dimensions(mm)		Pin	Dimensions(mm)	
	A	B		A	B
02	2.50	5.00	12	27.50	30.00
03	5.00	7.50	13	30.00	32.50
04	7.50	10.00	14	32.50	35.00
05	10.00	12.50	15	35.00	37.50
06	12.50	15.00	16	37.50	40.00
07	15.00	17.50	17	40.00	42.50
08	17.50	20.00	18	42.50	45.00
09	20.00	22.50	19	45.00	47.50
10	22.50	25.00	20	47.50	50.00
11	25.00	27.50			

Material:

Housing:PA66,UL94 V-0

Contact:Brass

Plating:Bright Tin Plating

Electrical Characteristics:

Rated Current:3.0AMP

Voltage rating:250V AC,DC

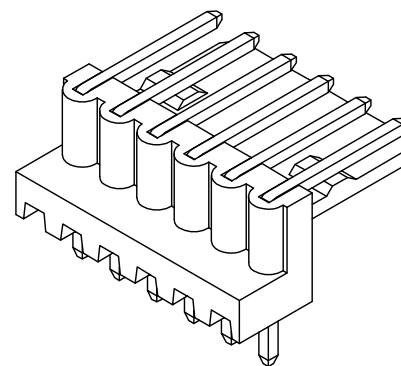
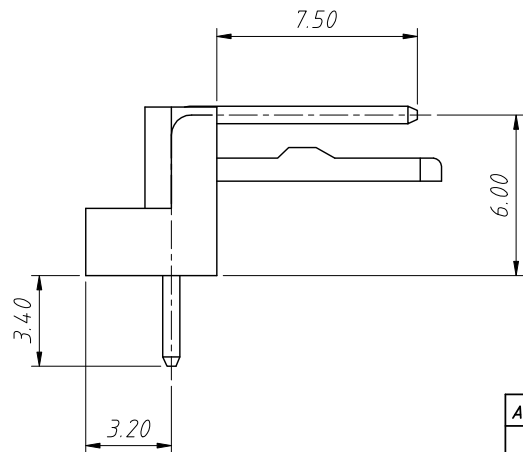
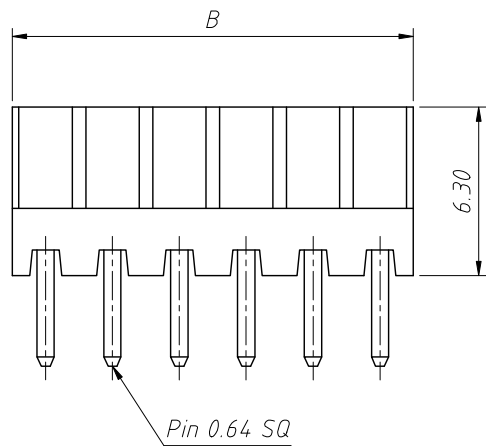
Temperature range:-25°C ~ + 85°C

Insulator Resistance:1000MΩ Min

Withstanding Voltage:1500V AC/minute

Contact Resistance:20mΩ Max

After environmental testing:4.0mΩ Max



Order Information:

L-KLS1-XM1-2.54-XX-R

L: RoHS

Pitch:2.50mm

XX-No.of 02 ~ 20 pins

Type:

MH-Male Housing FH-Female Housing

MT-Male Terminal FT-Female Terminal

S-Straight male pin R-Right angle male pin

ANGLE TOLERANCE	PROJECTION	Description:
±3°		2.50mm Pitch 5102 5240 Wire To Wire Connector
GENERAL TOLERANCE	UNITS	mm
x.x ±0.30	SHEET SIZE	A4
x.xx ±0.20	Draw:	Daniel 2021-01-11
x.xxx ±0.10	Check:	Daniel 2021-01-11



NingBo KLS ELECTRONIC CO.,LTD.