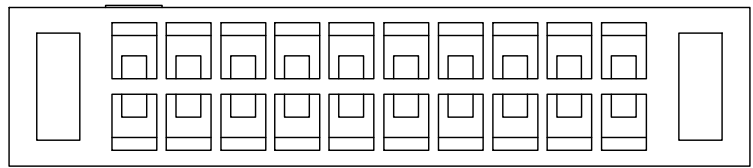
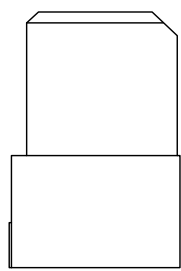
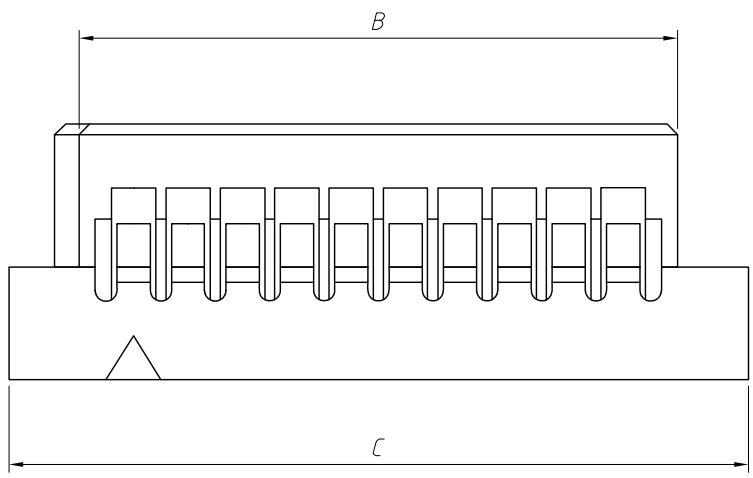
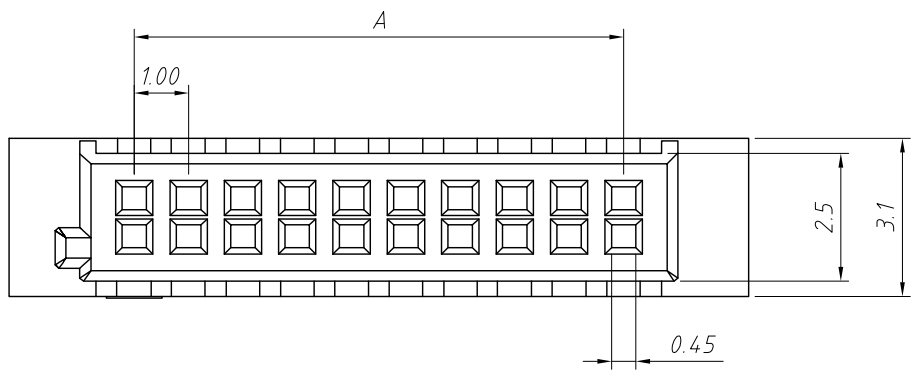


1  
RoHS Compliance



Material:  
Housing:PA46 ,UL 94V-0,  
Colour:Natural

Electrical Characteristics:  
Current rating:1.0A AC,DC  
Voltage rating:50V AC,DC  
Temperature range:-25°C ~ + 85°C  
Insulation resistance:100M $\Omega$ /Min.  
Withstanding voltage:500V AC/minute  
Contact resistance:20m $\Omega$ /Max.

Poles	Dimensions(mm)			PCS/Bag
	A	B	C	
2x8	7.0	9.0	11.6	1000
2x10	9.0	11.0	13.6	1000
2x15	14.0	16.0	18.6	1000
2x20	19.0	21.0	23.6	1000
2x25	24.0	26.0	28.6	1000

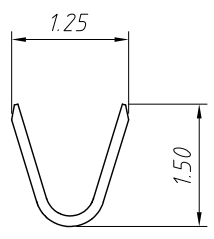
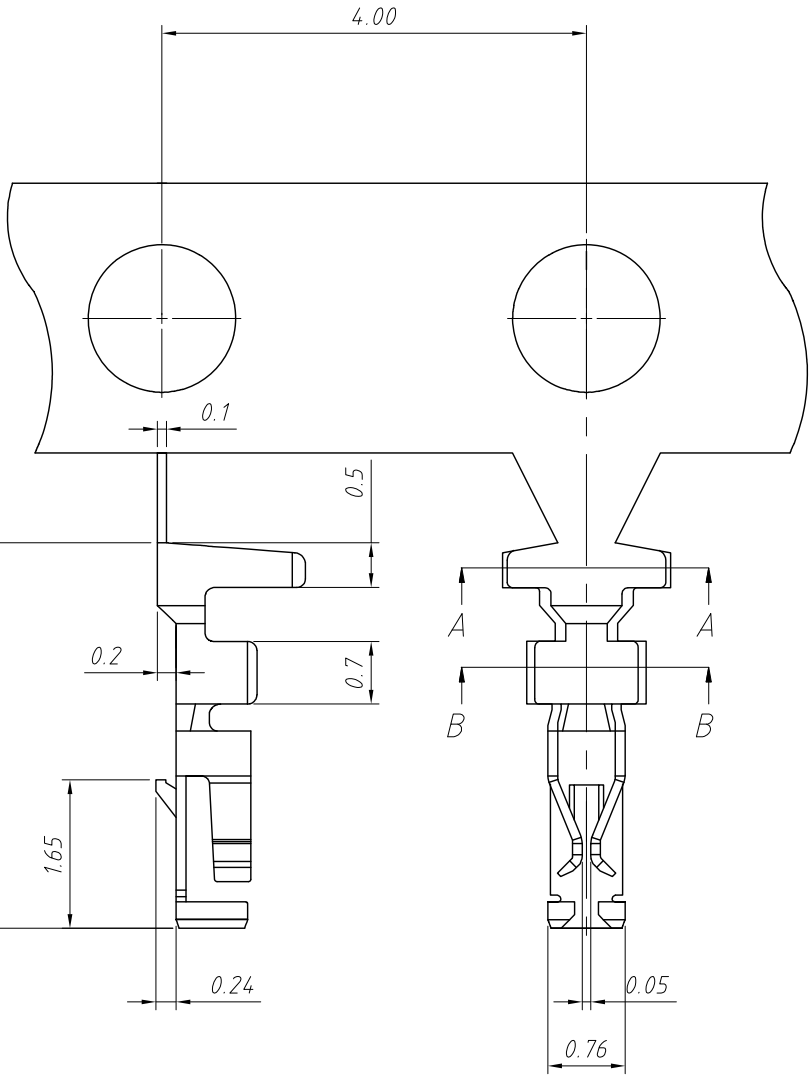
Order Information:  
L-KLS1-XF12-1.00-XX-H  
L: RoHS  
1.00mm Pitch  
XX-No. of 16 ~ 50pin  
Type:  
H-Hosing T-Terminal  
VM-Vertical SMT Pin  
RM-Horizontal SMT Pin

ANGLE TOLERANCE	PROJECTION	Description:	1.00mm Pitch 88252
$\pm 3^\circ$			Wire to board connector
GENERAL TOLERANCE	UNITS	mm	KLS P/N:
x.x $\pm 0.30$	SHEET SIZE	A4	L-KLS1-XF12-1.00-XX-H
x.xx $\pm 0.20$	Draw:	Daniel	2020-11-11
x.xxx $\pm 0.10$	Check:	Daniel	2020-11-11

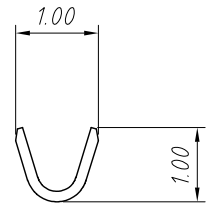


NingBo KLS ELECTRONIC CO.,L TD.

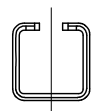
1  
RoHS Compliance



SECTION A-A



SECTION B-B



Material:  
Terminal: Phosphor Bronze  
Finish: Gold plated  
Applicable wires: AWG #28~#32  
Insulation O.D.: 0.8mm Max.  
Qty/reel: 15000PCS

Electrical Characteristics:  
Current rating: 1.0A AC, DC  
Voltage rating: 50V AC, DC  
Temperature range: -25°C ~ +85°C  
Insulation resistance: 100MΩ/Min.  
Withstanding voltage: 500V AC/minute  
Contact resistance: 20mΩ/Max.

Order Information:  
L-KLS1-XF12-1.00-T

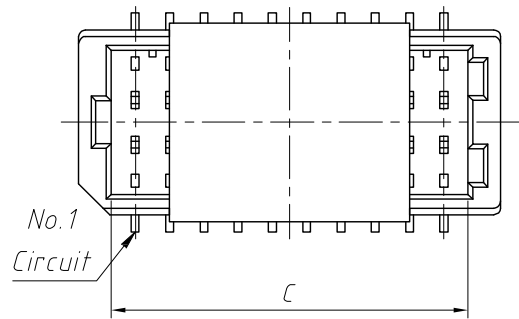
L: RoHS  
1.00mm Pitch  
Type: \_\_\_\_\_  
H-Hosing T-Terminal  
VM-Vertical SMT Pin  
RM-Horizontal SMT Pin

ANGLE TOLERANCE	PROJECTION	Description:	1.00mm Pitch 88252
±3°			Wire to board connector
GENERAL TOLERANCE	UNITS	mm	KLS P/N:
x.x ±0.30	SHEET SIZE	A4	L-KLS1-XF12-1.00-T
x.xx ±0.20	Draw:	Daniel	2020-11-11
x.xxx ±0.10	Check:	Daniel	2020-11-11



NingBo KLS ELECTRONIC CO.,LTD.

RoHS Compliance



Poles	Dimensions(mm)		
	A	B	C
2x8	7.00	10.30	8.40
2x9	8.00	11.30	9.40
2x10	9.00	12.30	10.40
2x12	11.00	14.30	12.40
2x14	13.00	16.30	14.40
2x15	14.00	17.30	15.40
2x17	16.00	19.30	17.40
2x20	19.00	22.30	20.40
2x25	24.00	27.30	25.40
2x30	29.00	32.30	30.40

Material:

Wafer:PA6T,UL94V-0,

Colour:Natural

Pin:Brass,Gold flash

Solder Tabs:Brass,Gold flash

Electrical Characteristics:

Current rating:1.0A AC,DC

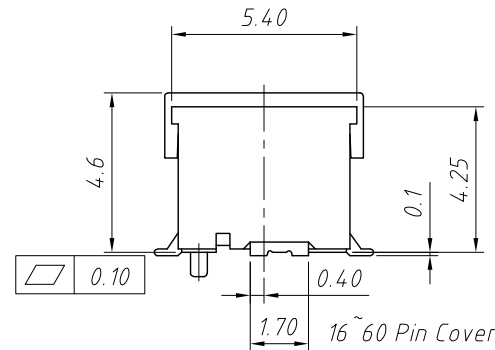
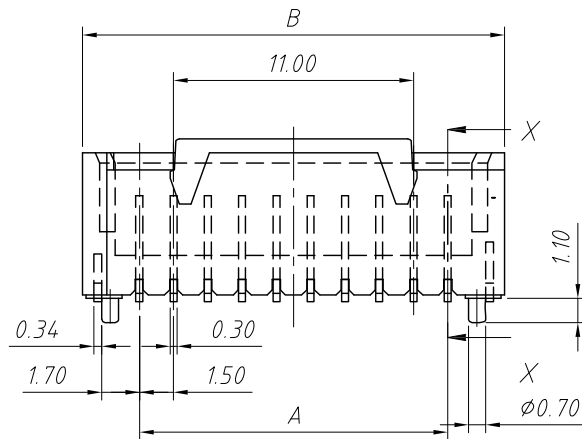
Voltage rating:50V AC,DC

Temperature range:-25°C ~ + 85°C

Insulation resistance:100M $\Omega$ /Min.

Withstanding voltage:250V AC/minute

Contact resistance:20m $\Omega$ /Max.



Order Information:

L-KLS1-XF12-1.00-XX-VM

L: RoHS

1.00mm Pitch

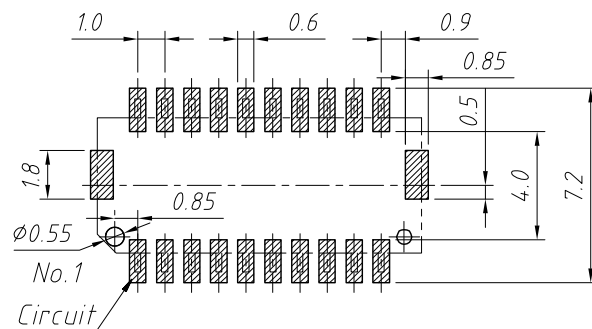
XX-No. of 16~60pin

Type:

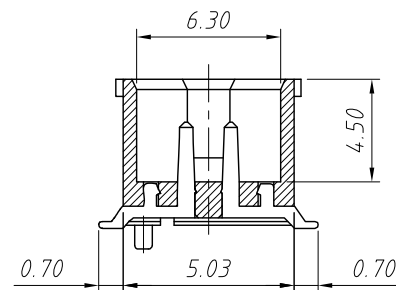
H-Hosing T-Terminal

VM-Vertical SMT Pin

RM-Horizontal SMT Pin



PCB PATTERN LAYOUT

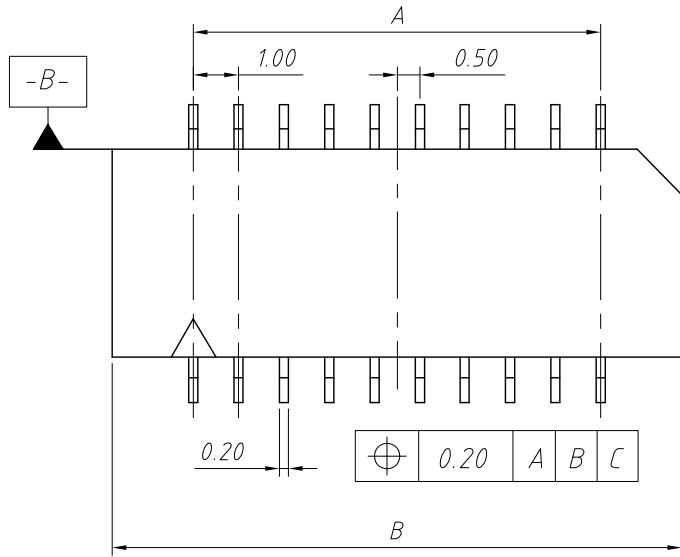


ANGLE TOLERANCE	PROJECTION	Description:	1.00mm Pitch 88252
$\pm 3^\circ$			Wire to board connector
GENERAL TOLERANCE	UNITS	mm	KLS P/N:
x.x $\pm 0.30$	SHEET SIZE	A4	L-KLS1-XF12-1.00-XX-VM
x.xx $\pm 0.20$	Draw:	Daniel	2020-11-11
x.xxx $\pm 0.10$	Check:	Daniel	2020-11-11



NingBo KLS ELECTRONIC CO.,LTD.

RoHS Compliance



Poles	Dimensions(mm)			Poles	Dimensions(mm)		
	A	B	C		A	B	C
2x3	2.00	5.60	4.20	2x15	14.00	17.60	16.20
2x4	3.00	6.60	5.20	2x16	15.00	18.60	17.20
2x5	4.00	7.60	6.20	2x17	16.00	19.60	18.20
2x6	5.00	8.60	7.20	2x18	17.00	20.60	19.20
2x7	6.00	9.60	8.20	2x19	18.00	21.60	20.20
2x8	7.00	10.60	9.20	2x20	19.00	22.60	21.20
2x9	8.00	11.60	10.20	2x21	20.00	23.60	22.20
2x10	9.00	12.60	11.20	2x22	21.00	24.60	23.20
2x11	10.00	13.60	12.20	2x23	22.00	25.60	24.20
2x12	11.00	14.60	13.20	2x24	23.00	26.60	25.20
2x13	12.00	15.60	14.20	2x25	24.00	27.60	26.20
2x14	13.00	16.60	15.20				

Material:

Wafer:PA6T,UL94V-0,

Colour:Natural

Pin:Brass,Gold flash

Solder Tabs:Brass,Gold flash

Electrical Characteristics:

Current rating:1.0A AC,DC

Voltage rating:50V AC,DC

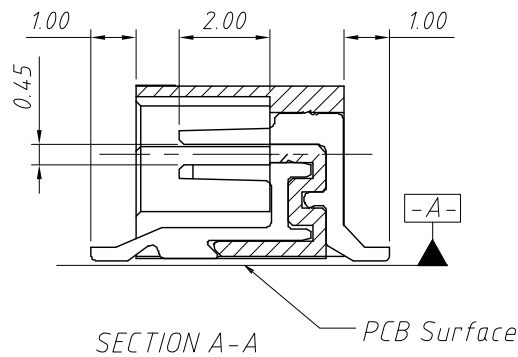
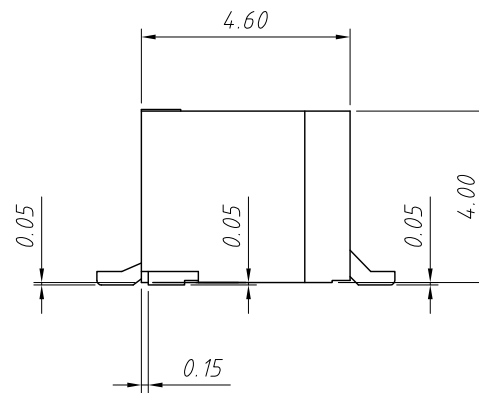
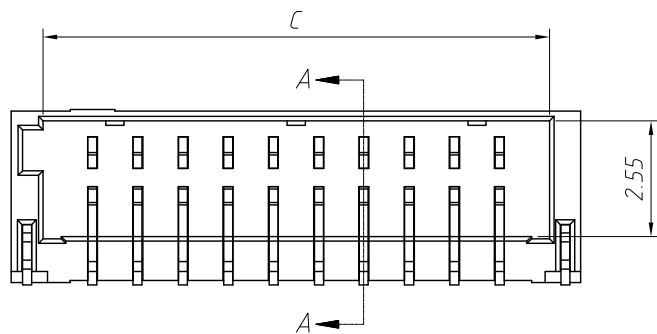
Temperature range:-25°C ~ + 85°C

Insulation resistance:100MΩ/Min.

Withstanding voltage:250V AC/minute

Contact resistance:20mΩ/Max.

Poles	Dimensions(mm)	
	A	B
02	4.00	1.00
03	5.00	2.00
04	6.00	3.00
05	7.00	4.00



Order Information:

L-KLS1-XF12-1.00-XX-RM

L: RoHS

1.00mm Pitch

XX-No. of 06 ~ 50pin

Type:

H-Hosing T-Terminal

VM-Vertical SMT Pin

RM-Horizontal SMT Pin

ANGLE TOLERANCE	PROJECTION	Description:
±3°		1.00mm Pitch 88252 Wire to board connector
GENERAL TOLERANCE	UNITS	mm
x.x ±0.30	SHEET SIZE	A4
x.xx ±0.20	Draw:	Daniel 2020-11-11
x.xxx ±0.10	Check:	Daniel 2020-11-11



NingBo KLS ELECTRONIC CO.,LTD.