

1
RoHS Compliance

2

3

4

5

6

7

8

A

B

C

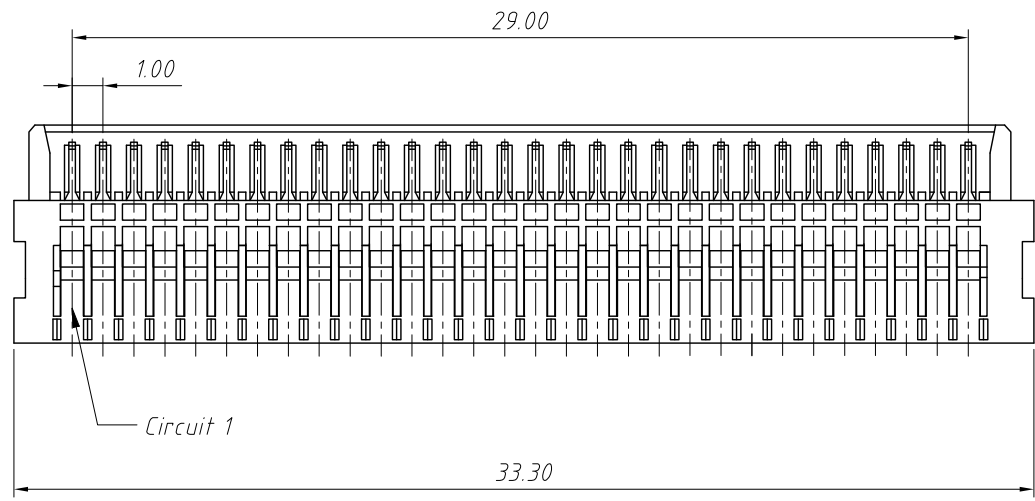
D

E

F

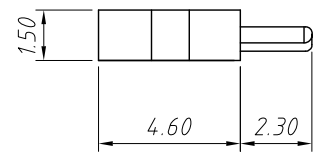
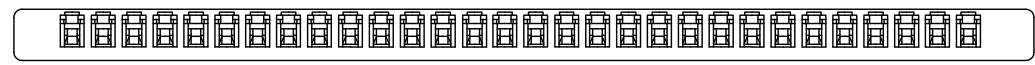
G

H

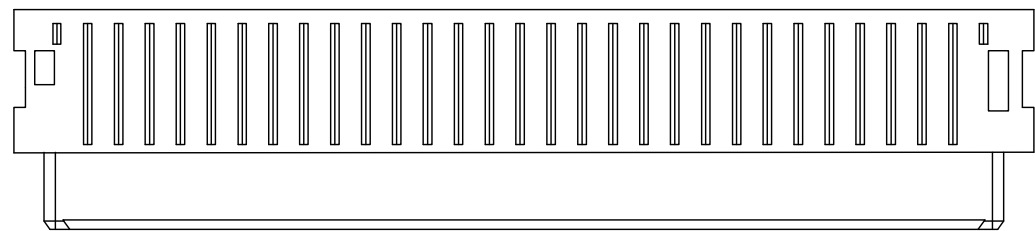


Material:
Housing:PA46 ,UL94V-0,
Colour:Red

Electrical Characteristics:
Voltage rating:200V AC,DC
Current rating:1.0A AC,DC
Withstanding voltage:500V AC/minute
Temperature range:-25°C ~ + 85°C
Insulation resistance:100MΩ/Min.
Contact resistance:20mΩ/Max.



Order Information:
L-KLS1-XF11-1.00-XX-H
L: RoHS
1.00mm Pitch
XX-No.of 30 pin
Type: _____
H-Hosing T-Terminal



ANGLE TOLERANCE	PROJECTION	Description:	1.00mm Pitch FI-X30HJ-B
±3°			Wire to board connector
GENERAL TOLERANCE	UNITS	mm	KLS P/N: L-KLS1-XF11-1.00-XX-H
x.x ±0.30	SHEET SIZE	A4	NingBo KLS ELECTRONIC CO.,LTD.
x.xx ±0.20	Draw:	Daniel 2020-11-11	
x.xxx ±0.10	Check:	Daniel 2020-11-11	

1

2

3

4

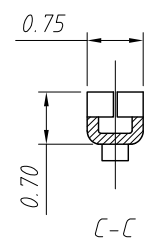
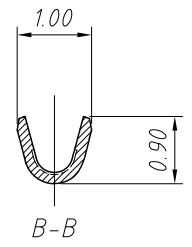
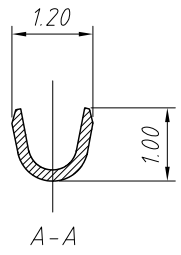
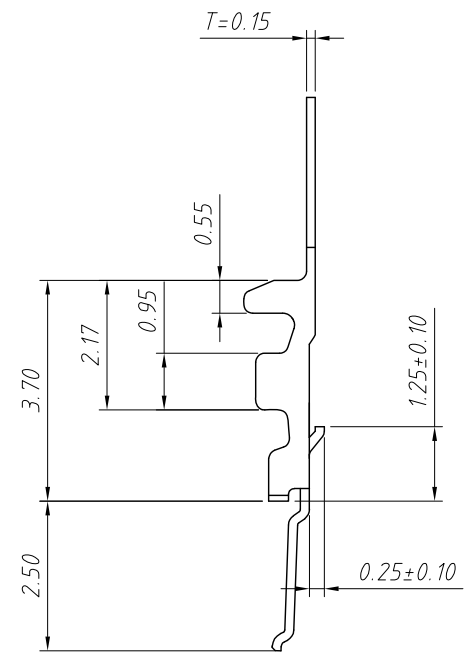
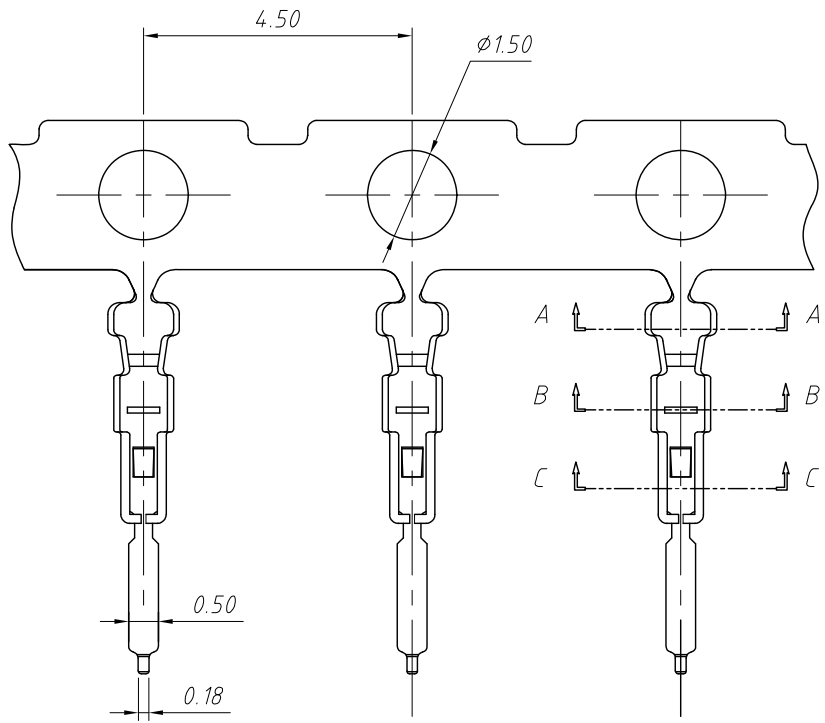
5

6

7

8

1
RoHS Compliance



Material:
Terminal: Phosphor Bronze
Finish: Gold-flash
Applicable wires: AWG #28 ~ #32
Insulation O.D 0.4 to 0.8mm
Qty/Reel: 15000 PCS

Electrical Characteristics:
Voltage rating: 200V AC, DC
Current rating: 1.0A AC, DC
Withstanding voltage: 500V AC/minute
Temperature range: -25°C ~ +85°C
Insulation resistance: 100MΩ/Min.
Contact resistance: 20mΩ/Max.

Order Information:
L-KLS1-XF11-1.00-T
L: RoHS
1.00mm Pitch
Type: H-Hosing T-Terminal

ANGLE TOLERANCE	PROJECTION	Description:	1.00mm Pitch FI-X30HJ-B
±3°			Wire to board connector
GENERAL TOLERANCE	UNITS	mm	KLS P/N:
x.x ±0.30	SHEET SIZE	A4	L-KLS1-XF11-1.00-T
x.xx ±0.20	Draw:	Daniel	2020-11-11
x.xxx ±0.10	Check:	Daniel	2020-11-11



NingBo KLS ELECTRONIC CO.,LTD.