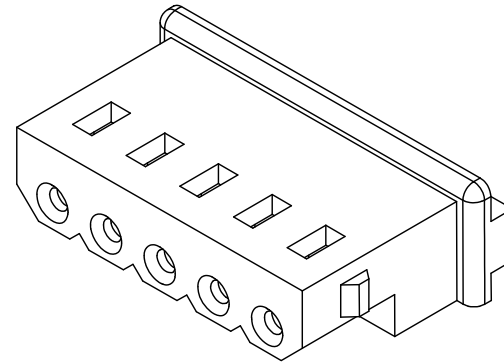
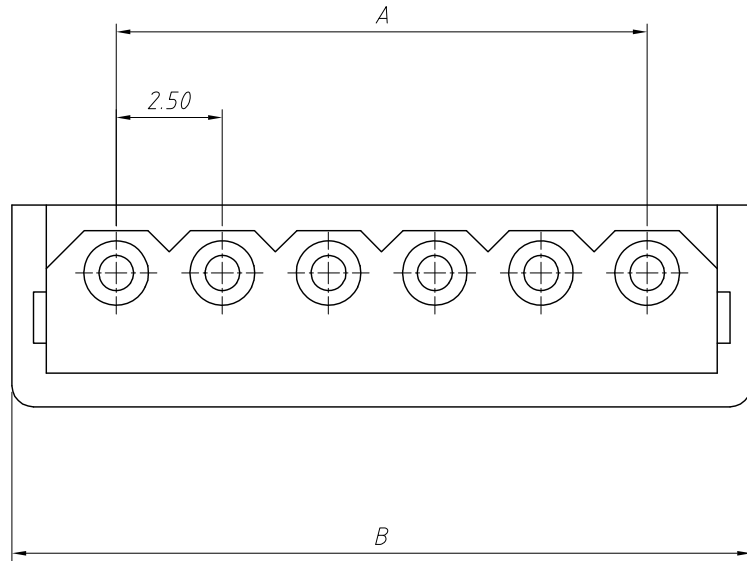
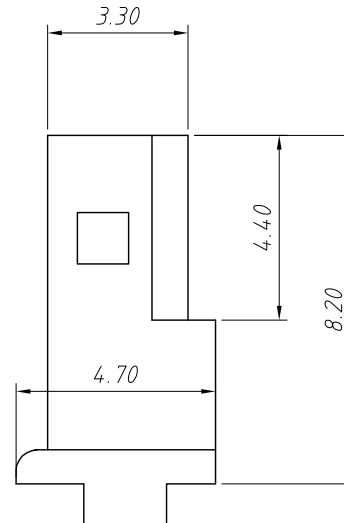
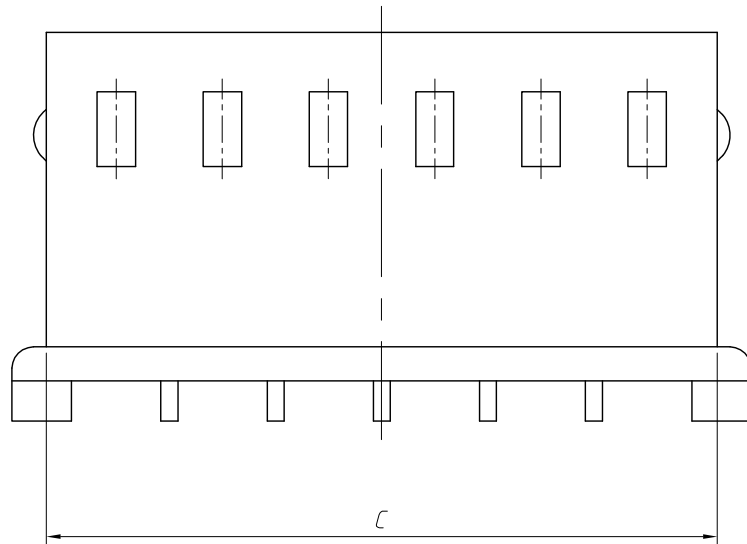


1 RoHS Compliance



Pin	Dimensions(mm)		
	A	B	C
02	2.50	7.40	5.85
03	5.00	9.90	8.35
04	7.50	12.40	10.85
05	10.00	14.90	13.35
06	12.50	17.40	15.85
07	15.00	19.90	18.35
08	17.50	22.40	20.85
09	20.00	24.90	23.35
10	22.50	27.40	25.85
11	25.00	29.90	28.35
12	27.50	32.40	30.85
13	30.00	34.90	33.35
14	32.50	37.40	35.85
15	35.00	39.90	38.35
16	37.50	42.40	40.85



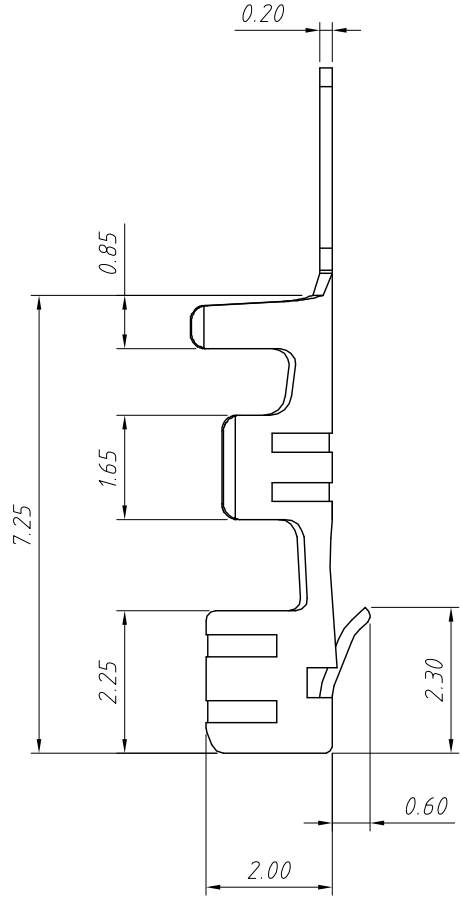
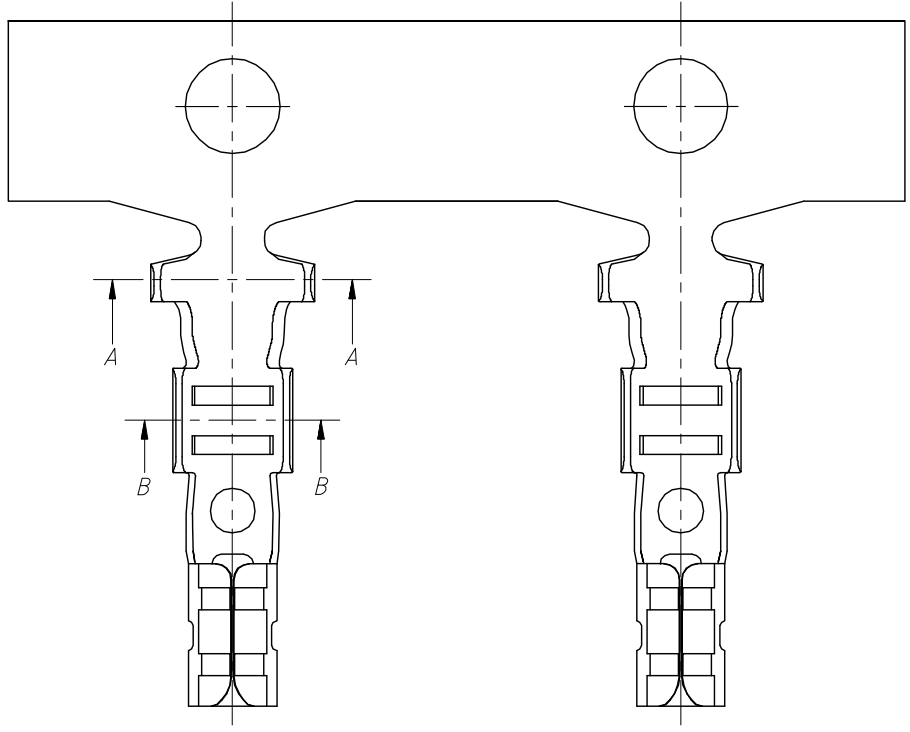
Material:
Housing:PA66,UL 94 V-0,Natrual

Electrical Characteristics:
Rated Current:3.0AMP
Voltage rating:250V AC,DC
Temperature range:-25°C ~ + 85°C
Insulator Resistance:1000M Ω Min
Withstanding Voltage:1000V AC/minute
Contact Resistance:20m Ω Max

Order Information:
L-KLS1-XL4-2.50-XX-H
L: RoHS
Pitch:2.50mm
XX-No.of 02 ~ 16 pins
Type:
T-Terminal H-Hosing
S-Straight male pin
R-Right angle male pin

ANGLE TOLERANCE	PROJECTION	Description:	2.50mm Pitch 5264 5267 5268
$\pm 3^\circ$			Wire To Board Connector
GENERAL TOLERANCE	UNITS	mm	KLS P/N: L-KLS1-XL4-2.50-XX-H
x.x ± 0.30	SHEET SIZE	A4	NingBo KLS ELECTRONIC CO.,L TD.
x.xx ± 0.20	Draw:	Daniel 2021-01-11	
x.xxx ± 0.10	Check:	Daniel 2021-01-11	

1
RoHS Compliance

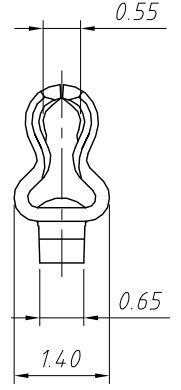
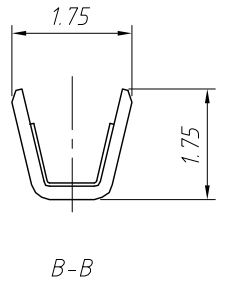
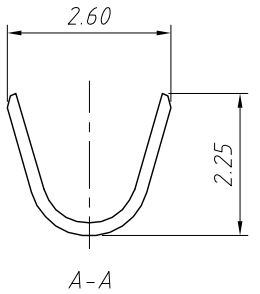


Material:
 Terminal: Phosphor Bronze
 Plating: Tin plated
 Applicable wires: AWG #22 ~ # 28
 Insulation O.D.: 1.9mm
 Qty/reel: 10000 pcs

Electrical Characteristics:
 Rated Current: 3.0AMP
 Voltage rating: 250V AC, DC
 Temperature range: -25°C ~ + 85°C
 Insulator Resistance: 1000MΩ Min
 Withstanding Voltage: 1000V AC/minute
 Contact Resistance: 20mΩ Max

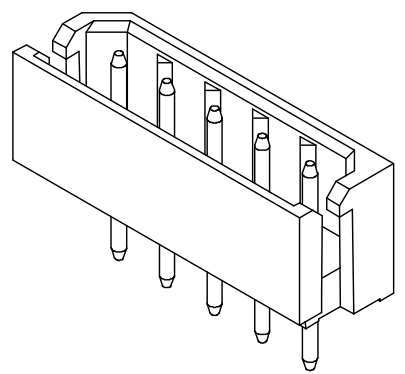
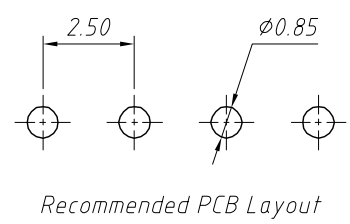
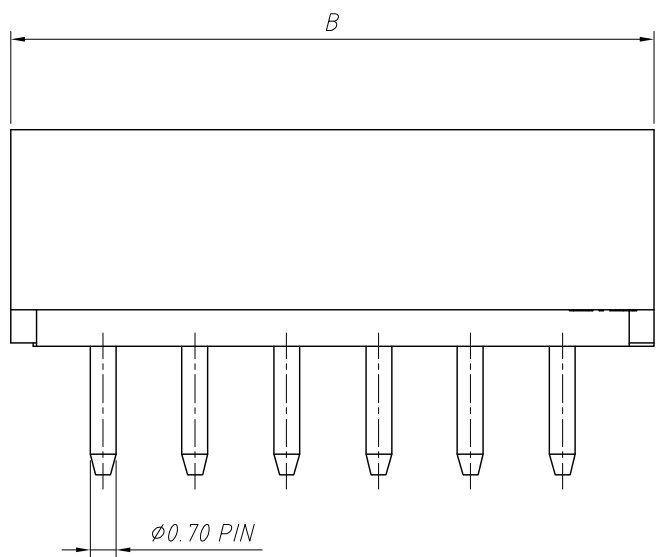
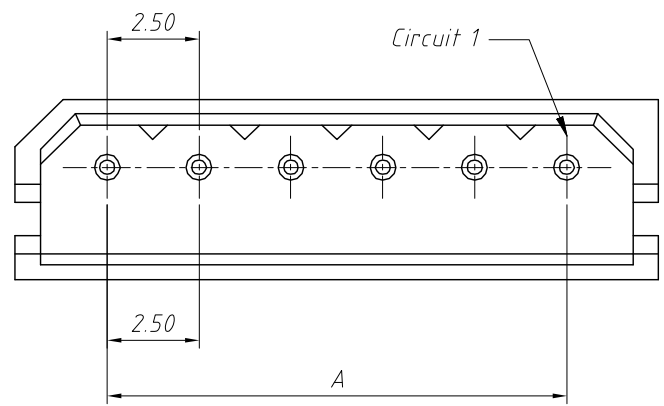
Order Information:
 L-KLS1-XL4-2.50-T

L: RoHS
 Pitch: 2.50mm
 Type: _____
 T-Terminal H-Hosing
 S-Straight male pin
 R-Right angle male pin



ANGLE TOLERANCE	PROJECTION	Description:	2.50mm Pitch 5264 5267 5268
±3°			Wire To Board Connector
GENERAL TOLERANCE	UNITS	mm	KLS P/N: L-KLS1-XL4-2.50-T
x.x ±0.30	SHEET SIZE	A4	NingBo KLS ELECTRONIC CO.,L TD.
x.xx ±0.20	Draw:	Daniel 2021-01-11	
x.xxx ±0.10	Check:	Daniel 2021-01-11	

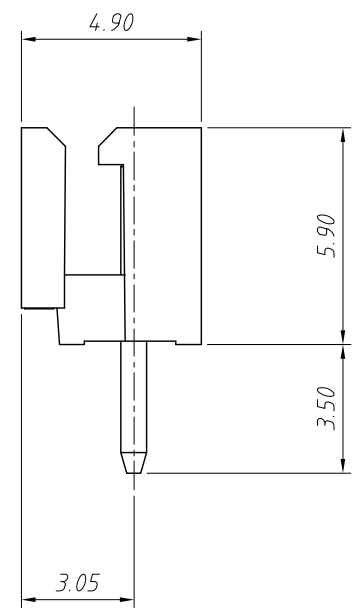
1
RoHS Compliance



Material:
 Housing: PA66, UL 94V-0, Natural
 Contact: Brass
 Plating: Tin plate

Electrical Characteristics:
 Rated Current: 3.0AMP
 Voltage rating: 250V AC, DC
 Temperature range: $-25^{\circ}\text{C} \sim +85^{\circ}\text{C}$
 Insulator Resistance: $1000\text{M}\Omega$ Min
 Withstanding Voltage: 1000V AC/minute
 Contact Resistance: $20\text{m}\Omega$ Max

Pin	Dimensions (mm)	
	A	B
02	2.50	7.50
03	5.00	10.00
04	7.50	12.50
05	10.00	15.00
06	12.50	17.50
07	15.00	20.00
08	17.50	22.50
09	20.00	25.00
10	22.50	27.50
11	25.00	30.00
12	27.50	32.50
13	30.00	35.00
14	32.50	37.50
15	35.00	40.00
16	37.50	42.50

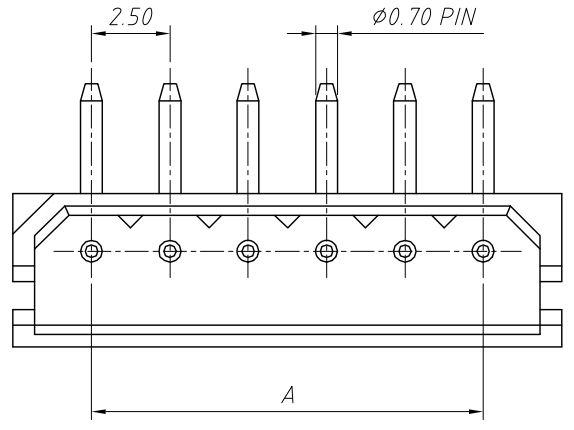


Order Information:
 L-KLS1-XL4-2.50-XX-S

L: RoHS
 Pitch: 2.50mm
 XX-No. of 02~16 pins
 Type:
 T-Terminal H-Hosing
 S-Straight male pin
 R-Right angle male pin

ANGLE TOLERANCE	PROJECTION	Description:	2.50mm Pitch 5264 5267 5268
$\pm 3^{\circ}$			Wire To Board Connector
GENERAL TOLERANCE	UNITS	mm	KLS P/N: L-KLS1-XL4-2.50-XX-S
x.x ± 0.30	SHEET SIZE	A4	NingBo KLS ELECTRONIC CO.,L TD.
x.xx ± 0.20	Draw:	Daniel 2021-01-11	
x.xxx ± 0.10	Check:	Daniel 2021-01-11	

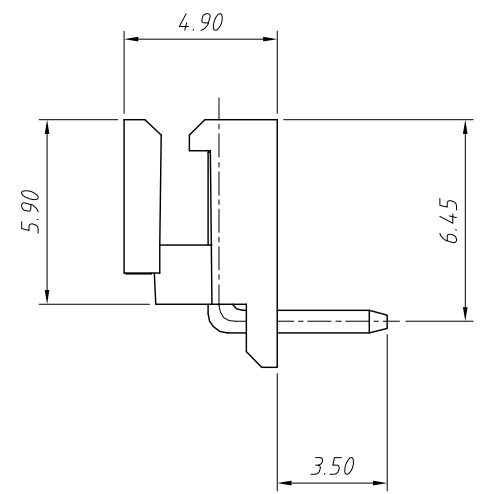
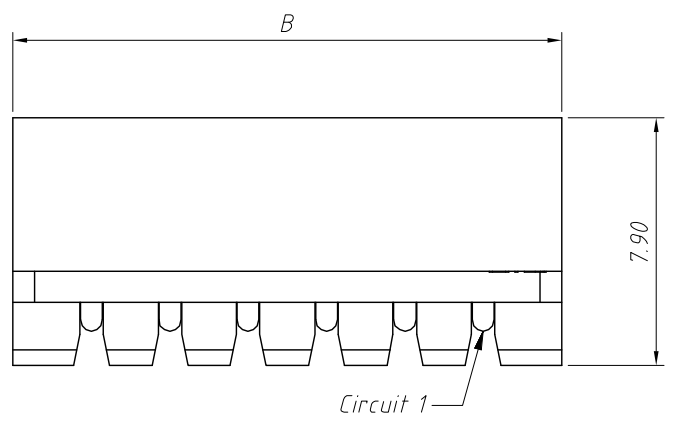
1
RoHS Compliance



Material:
Housing: PA66, UL 94V-0, Natural
Contact: Brass
Plating: Tin plate

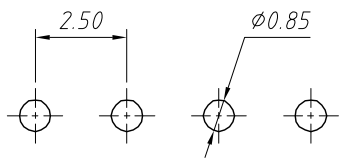
Electrical Characteristics:
Rated Current: 3.0AMP
Voltage rating: 250V AC, DC
Temperature range: -25°C ~ +85°C
Insulator Resistance: 1000MΩ Min
Withstanding Voltage: 1000V AC/minute
Contact Resistance: 20mΩ Max

Pin	Dimensions (mm)	
	A	B
02	2.50	7.50
03	5.00	10.00
04	7.50	12.50
05	10.00	15.00
06	12.50	17.50
07	15.00	20.00
08	17.50	22.50
09	20.00	25.00
10	22.50	27.50
11	25.00	30.00
12	27.50	32.50
13	30.00	35.00
14	32.50	37.50
15	35.00	40.00
16	37.50	42.50

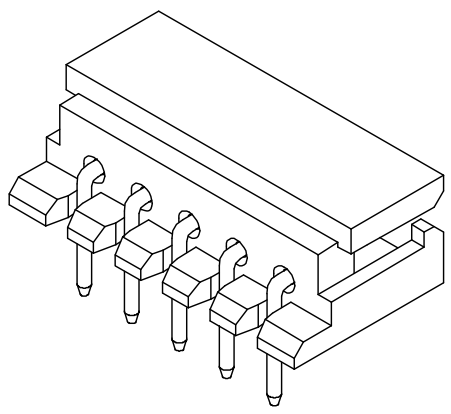


Order Information:
L-KLS1-XL4-2.50-XX-R

L: RoHS
Pitch: 2.50mm
XX-No. of 02~16 pins
Type: T-Terminal H-Hosing
S-Straight male pin
R-Right angle male pin



Recommended PCB Layout



ANGLE TOLERANCE	PROJECTION	Description:	2.50mm Pitch 5264 5267 5268
±3°			Wire To Board Connector
GENERAL TOLERANCE	UNITS	mm	KLS P/N: L-KLS1-XL4-2.50-XX-R
x.x ±0.30	SHEET SIZE	A4	NingBo KLS ELECTRONIC CO.,L TD.
x.xx ±0.20	Draw:	Daniel 2021-01-11	
x.xxx ±0.10	Check:	Daniel 2021-01-11	