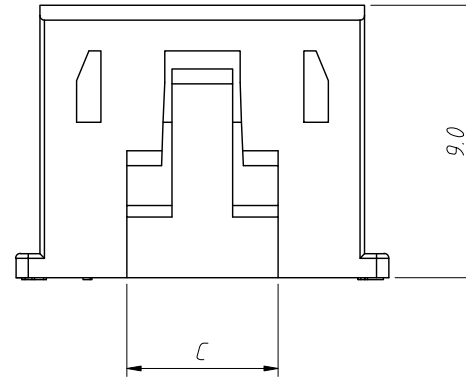
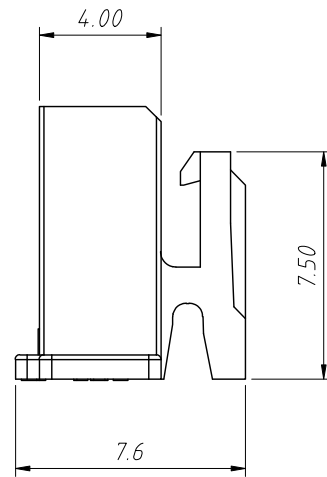
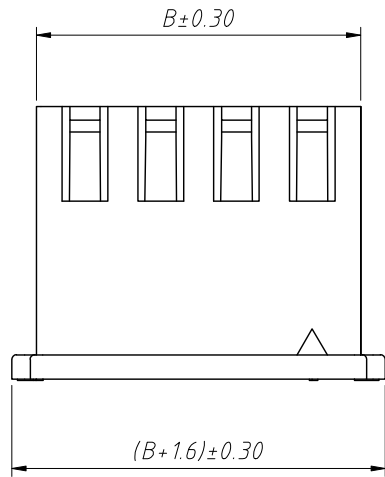
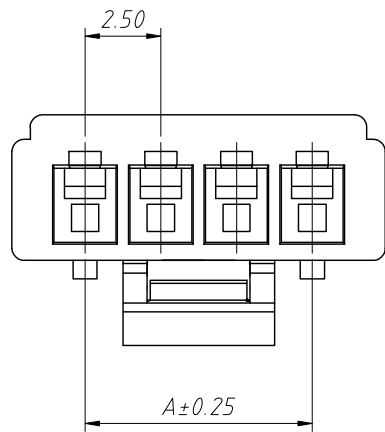


1 RoHS Compliance



Pin	Dimensions(mm)		
	A	B	C
02	2.50	5.70	3.00
03	5.00	8.20	4.00
04	7.50	10.70	5.00
05	10.00	13.20	7.50
06	12.50	15.70	10.00
07	15.00	18.20	12.50
08	17.50	20.70	12.50
09	20.00	23.20	12.50
10	22.50	25.70	12.50
11	25.00	28.20	12.50
12	27.50	30.70	12.50
13	30.00	33.20	12.50
14	32.50	35.70	12.50
15	35.00	38.20	12.50
16	37.50	40.70	12.50



Material:
Housing: PA66, UL 94V-2

Electrical Characteristics:
Rated Current: 3.0AMP
Voltage rating: 250V AC, DC
Temperature range: $-25^{\circ}\text{C} \sim +85^{\circ}\text{C}$
Insulator Resistance: $1000\text{M}\Omega$ Min
Withstanding Voltage: 1000V AC/minute
Contact Resistance: $10\text{m}\Omega$ Max

Order Information:

L-KLS1-2.50L-XX-H

L: RoHS

Pitch: 2.50mm

XX-No. of 02 ~ 16 pins

Type:

H / FH-Housing T / MT-Terminal

S-Straight male pin

R-Right angle male pin

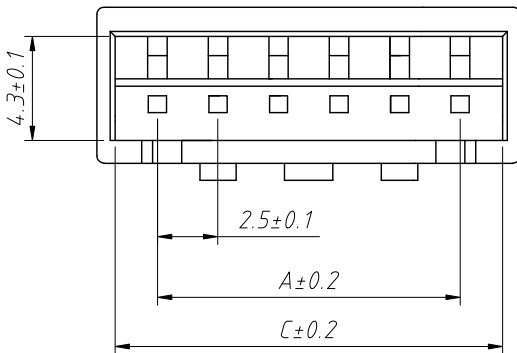
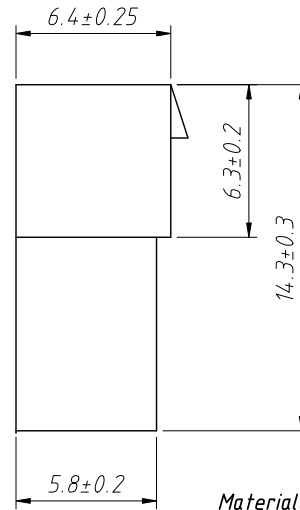
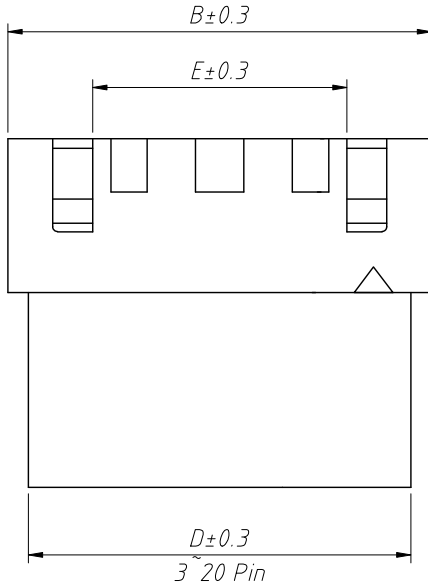
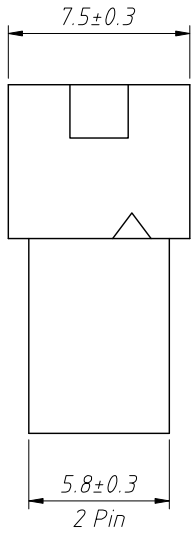
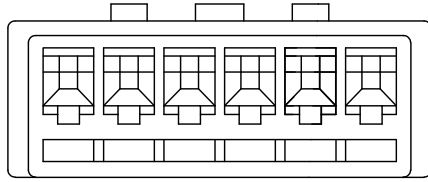
RM-SMT male pin

ANGLE TOLERANCE	PROJECTION	Description:	2.50mm Pitch XHB With Lock Type Wire To Board Connector
$\pm 3^{\circ}$			
GENERAL TOLERANCE	UNITS	mm	KLS P/N: L-KLS1-2.50L-XX-H
x.x ± 0.30	SHEET SIZE	A4	
x.xx ± 0.20	Draw:	Daniel	2021-01-11
x.xxx ± 0.10	Check:	Daniel	2021-01-11



NingBo KLS ELECTRONIC CO.,L TD.

RoHS Compliance

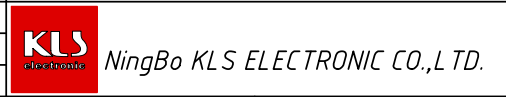


Pin	Dimensions(mm)				
	A	B	C	D	E
02	2.50	7.50	6.00	5.80	---
03	5.00	10.00	8.50	8.30	3.00
04	7.50	12.50	11.00	10.80	5.50
05	10.00	15.00	13.50	13.30	8.00
06	12.50	17.50	16.00	15.80	10.50
07	15.00	20.00	18.50	18.30	13.00
08	17.50	22.50	21.00	20.80	15.50
09	20.00	25.00	23.50	23.30	18.00
10	22.50	27.50	26.00	25.80	20.50
11	25.00	30.00	28.50	28.30	23.00
12	27.50	32.50	31.00	30.80	25.50
13	30.00	35.00	33.50	33.30	28.00
14	32.50	37.50	36.00	35.80	30.50
15	35.00	40.00	38.50	38.30	33.00
16	37.50	42.50	41.00	40.80	35.50
17	40.00	45.00	43.50	43.30	38.00
18	42.50	47.50	46.00	45.80	40.50
19	45.00	50.00	48.50	48.30	43.00
20	47.50	52.50	51.00	50.80	45.50

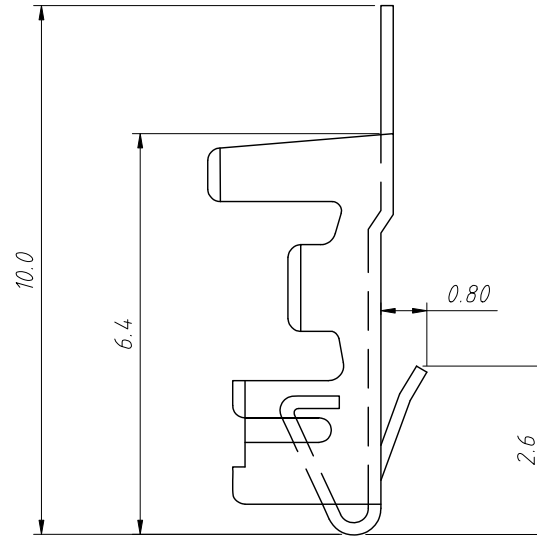
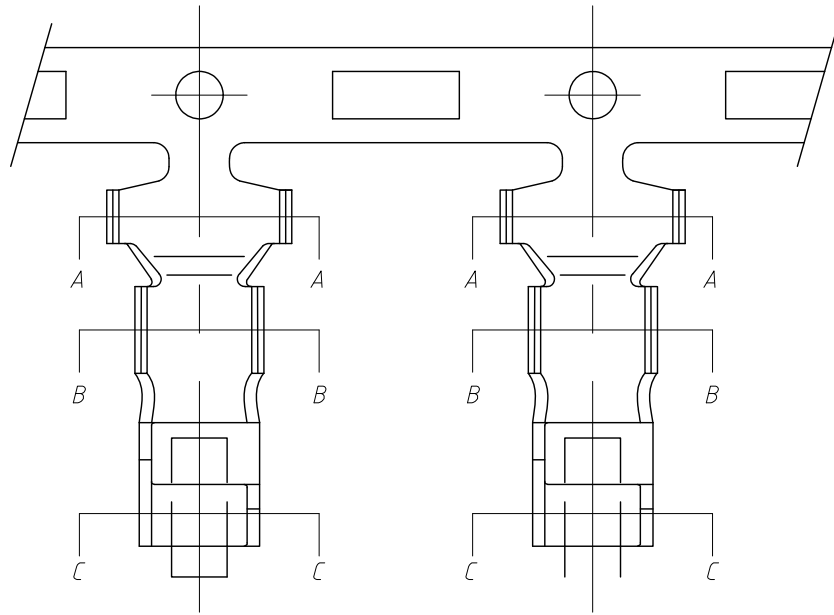
Material:
Housing: PA66, UL 94 V-0, Natural Color
Electrical Characteristics:
Rated Current: 3.0AMP
Voltage rating: 250V AC, DC
Temperature range: -25°C ~ +85°C
Insulator Resistance: 1000MΩ Min
Withstanding Voltage: 1000V AC/minute
Contact Resistance: 10mΩ Max
After environmental testing: 20mΩ Max

Order Information:
L-KLS1-2.50L-XX-FH
L: RoHS
Pitch: 2.50mm
XX-No. of 02 ~ 20 pins
Type:
H / FH-Housing T / MT-Terminal
S-Straight male pin
R-Right angle male pin
RM-SMT male pin

ANGLE TOLERANCE	PROJECTION	Description:	2.50mm Pitch XHB With Lock Type Wire To Board Connector
±3°			
GENERAL TOLERANCE	UNITS	mm	KLS P/N: L-KLS1-2.50L-XX-FH
x.x ±0.30	SHEET SIZE	A4	
x.xx ±0.20	Draw:	Daniel	2021-01-11
x.xxx ±0.10	Check:	Daniel	2021-01-11

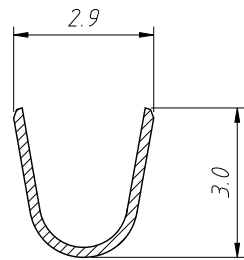


1 RoHS Compliance

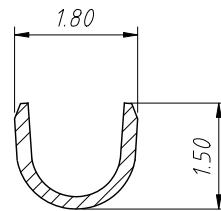


Material:
 Terminal: Phosphor Bronze
 Plating: Tin plated
 Applicable wires: AWG #22 ~ # 28
 Insulation O.D: 1.2 ~ 1.6mm
 Qty/reel: 6000 pcs

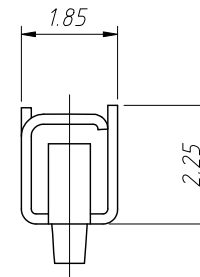
Electrical Characteristics:
 Rated Current: 3.0AMP
 Voltage rating: 250V AC, DC
 Temperature range: -25°C ~ + 85°C
 Insulator Resistance: 1000MΩ Min
 Withstanding Voltage: 1000V AC/minute
 Contact Resistance: 20mΩ Max



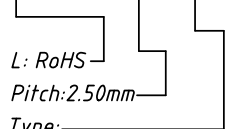
A-A




B-B



C-C

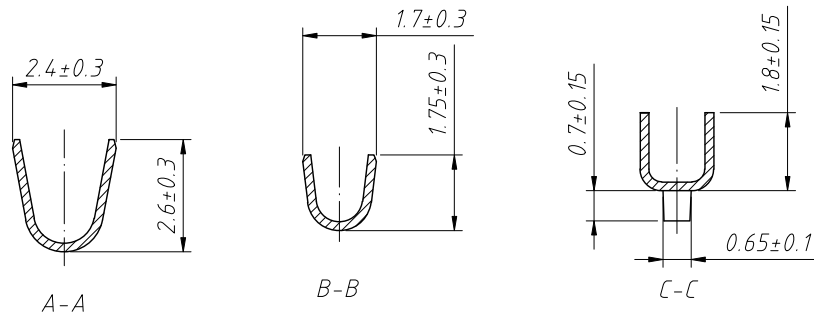
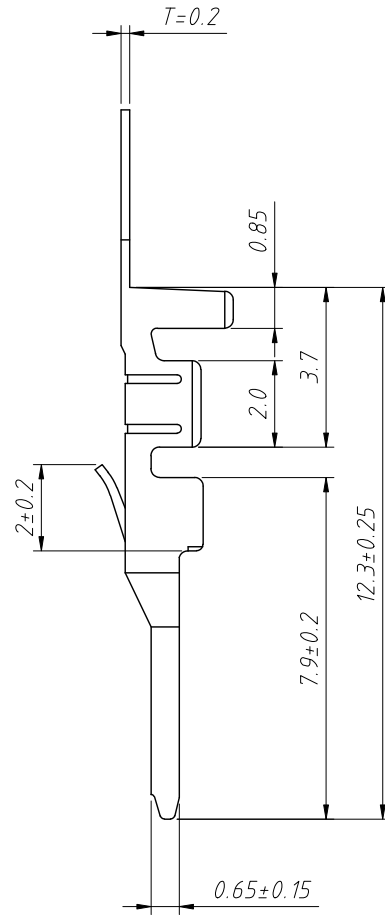
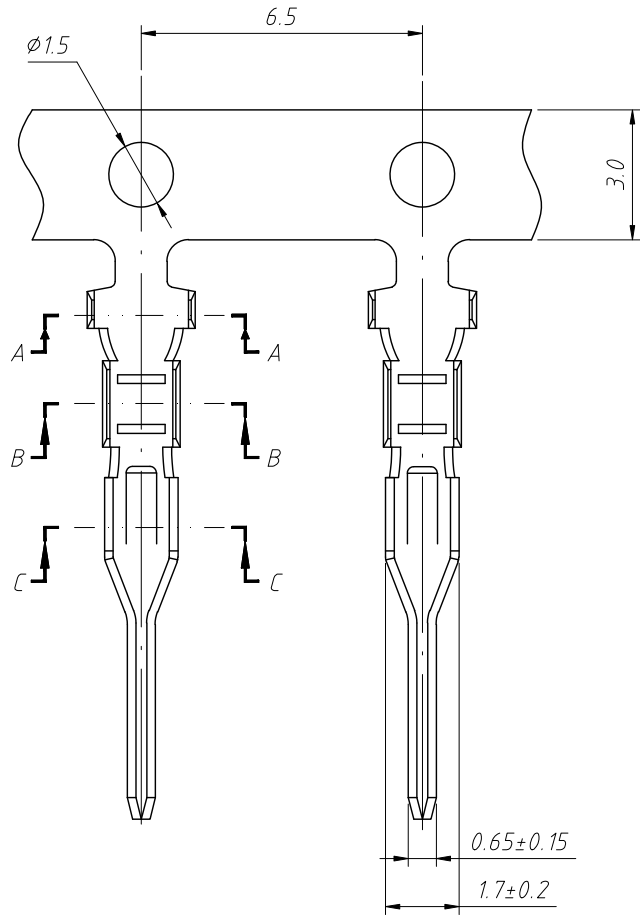
Order Information:
 L-KLS1-2.50L-T

 L: RoHS
 Pitch: 2.50mm
 Type:
 H / FH-Housing T / MT-Terminal
 S-Straight male pin
 R-Right angle male pin
 RM-SMT male pin

ANGLE TOLERANCE	PROJECTION	Description:	2.50mm Pitch XHB With Lock Type Wire To Board Connector
±3°			
GENERAL TOLERANCE	UNITS	mm	KLS P/N: L-KLS1-2.50L-T
x.x ±0.30	SHEET SIZE	A4	
x.xx ±0.20	Draw:	Daniel	2021-01-11
x.xxx ±0.10	Check:	Daniel	2021-01-11



NingBo KLS ELECTRONIC CO.,LTD.

1 RoHS Compliance

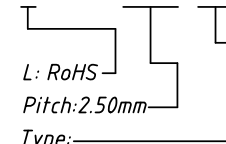


Material:
Terminal: Phosphor Bronze
Plating: Tin plated
Applicable wires: AWG #22 ~ #28
Insulation O.D.: 1.90mm Max

Electrical Characteristics:
Rated Current: 3.0AMP
Voltage rating: 250V AC, DC
Temperature range: -25°C ~ +85°C
Insulator Resistance: 1000MΩ Min
Withstanding Voltage: 1000V AC/minute
Contact Resistance: 10mΩ Max
After environmental testing: 20mΩ Max

Order Information:

L-KLS1-2.50L-MT



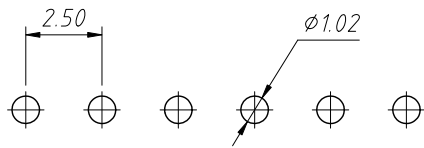
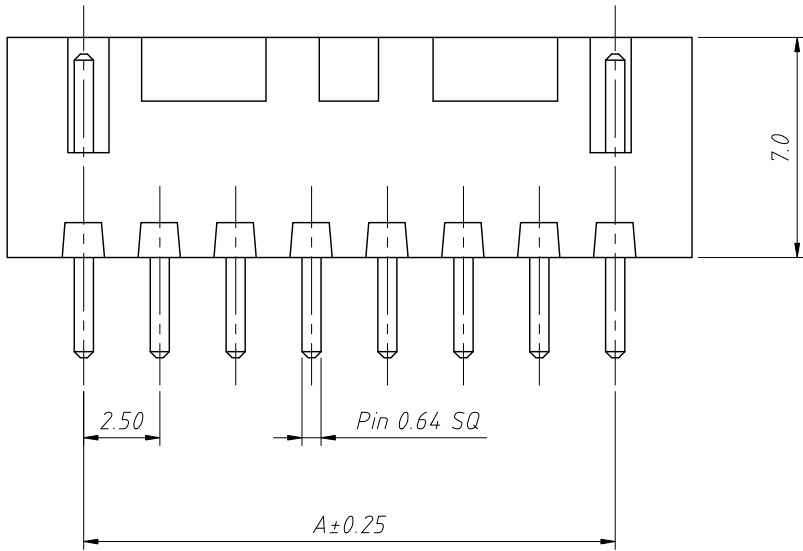
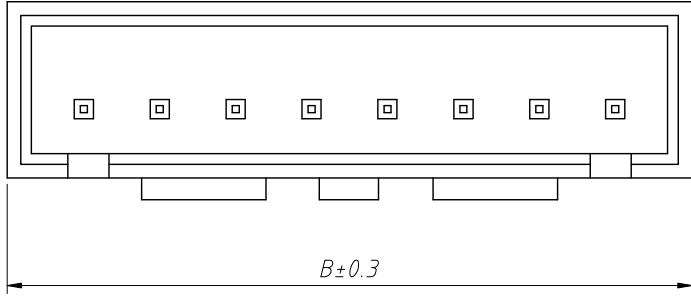
H / FH-Housing T / MT-Terminal
S-Straight male pin
R-Right angle male pin
RM-SMT male pin

ANGLE TOLERANCE	PROJECTION	Description:	2.50mm Pitch XHB With Lock Type Wire To Board Connector
±3°			
GENERAL TOLERANCE	UNITS	mm	KLS P/N:
x.x ±0.30	SHEET SIZE	A4	L-KLS1-2.50L-MT
x.xx ±0.20	Draw:	Daniel	2021-01-11
x.xxx ±0.10	Check:	Daniel	2021-01-11



NingBo KLS ELECTRONIC CO.,LTD.

1 RoHS Compliance

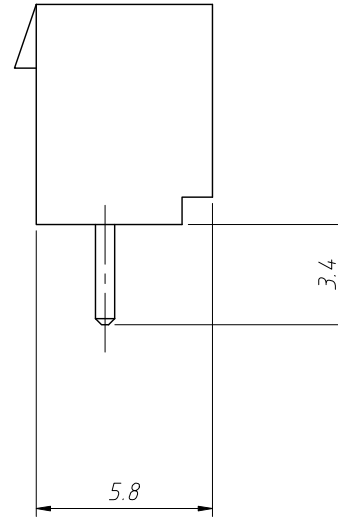


Recommended PCB Layout

Material:
Housing: PA66, UL 94 V-2
Contact: Brass
Plating: Tin plated

Electrical Characteristics:
Rated Current: 3.0 AMP
Voltage rating: 250V AC, DC
Temperature range: $-25^{\circ}\text{C} \sim +85^{\circ}\text{C}$
Insulator Resistance: 1000M Ω Min
Withstanding Voltage: 1000V AC/minute
Contact Resistance: 20m Ω Max

Pin	Dimensions (mm)	
	A	B
02	2.50	7.50
03	5.00	10.00
04	7.50	12.50
05	10.00	15.00
06	12.50	17.50
07	15.00	20.00
08	17.50	22.50
09	20.00	25.00
10	22.50	27.50
11	25.00	30.00
12	27.50	32.50
13	30.00	35.00
14	32.50	37.50
15	35.00	40.00
16	37.50	42.50



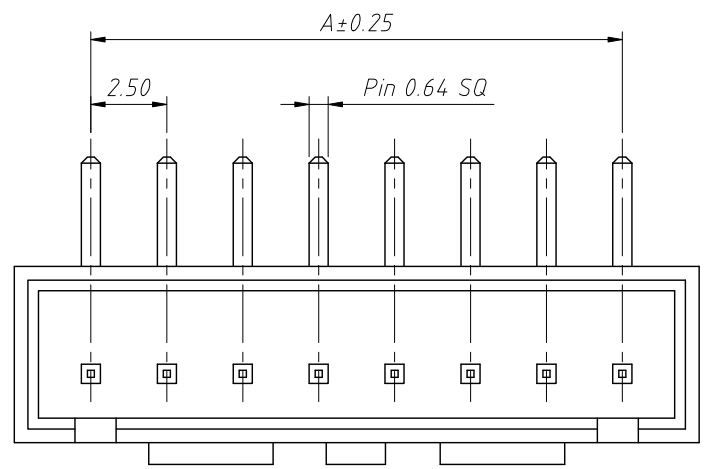
Order Information:
L-KLS1-2.50L-XX-S
L: RoHS
Pitch: 2.50mm
XX-No. of 02 ~ 16 pins
Type:
H / FH-Housing T / MT-Terminal
S-Straight male pin
R-Right angle male pin
RM-SMT male pin

ANGLE TOLERANCE	PROJECTION	Description:
$\pm 3^{\circ}$		2.50mm Pitch XHB With Lock Type Wire To Board Connector
GENERAL TOLERANCE	UNITS	mm
x.x ± 0.30	SHEET SIZE	A4
x.xx ± 0.20	Draw:	Daniel 2021-01-11
x.xxx ± 0.10	Check:	Daniel 2021-01-11



NingBo KLS ELECTRONIC CO.,LTD.

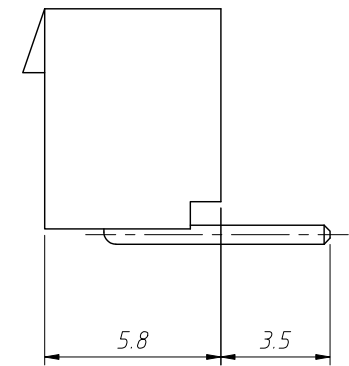
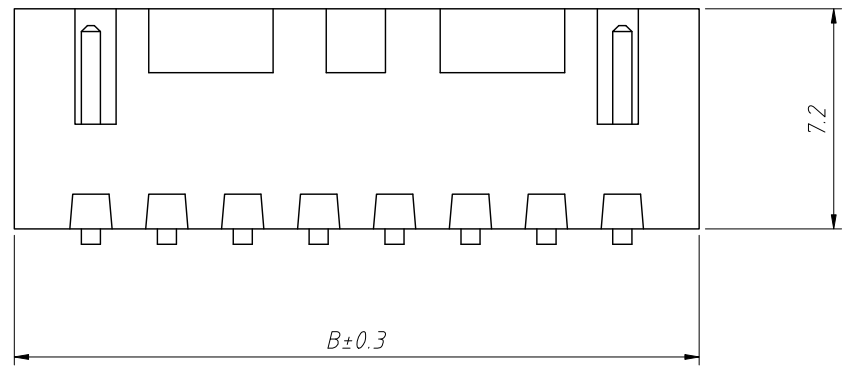
1
RoHS Compliance



Material:
Housing: PA66, UL 94V-2
Contact: Brass
Plating: Tin plated

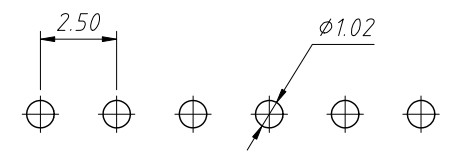
Electrical Characteristics:
Rated Current: 3.0AMP
Voltage rating: 250V AC, DC
Temperature range: -25°C ~ +85°C
Insulator Resistance: 1000M Ω Min
Withstanding Voltage: 1000V AC/minute
Contact Resistance: 20m Ω Max

Pin	Dimensions (mm)	
	A	B
02	2.50	7.50
03	5.00	10.00
04	7.50	12.50
05	10.00	15.00
06	12.50	17.50
07	15.00	20.00
08	17.50	22.50
09	20.00	25.00
10	22.50	27.50
11	25.00	30.00
12	27.50	32.50
13	30.00	35.00
14	32.50	37.50
15	35.00	40.00
16	37.50	42.50



Order Information:
L-KLS1-2.50L-XX-R

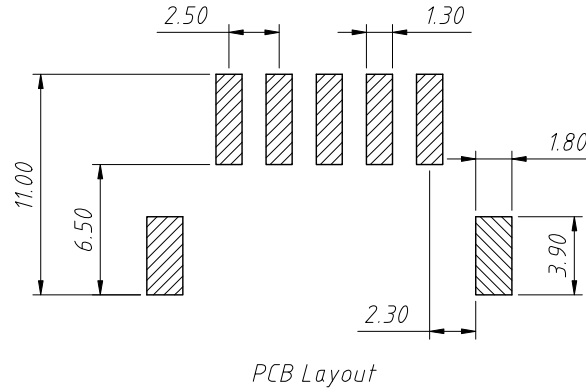
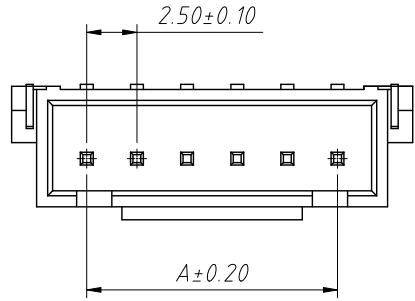
L: RoHS
Pitch: 2.50mm
XX-No. of 02 ~ 16 pins
Type: _____
H / FH-Housing T / MT-Terminal
S-Straight male pin
R-Right angle male pin
RM-SMT male pin



Recommended PCB Layout

ANGLE TOLERANCE	PROJECTION	Description:	2.50mm Pitch XHB With Lock Type Wire To Board Connector
$\pm 3^\circ$			
GENERAL TOLERANCE	UNITS	mm	KLS P/N: L-KLS1-2.50L-XX-R
x.x ± 0.30	SHEET SIZE	A4	NingBo KLS ELECTRONIC CO.,L TD.
x.xx ± 0.20	Draw:	Daniel 2021-01-11	
x.xxx ± 0.10	Check:	Daniel 2021-01-11	

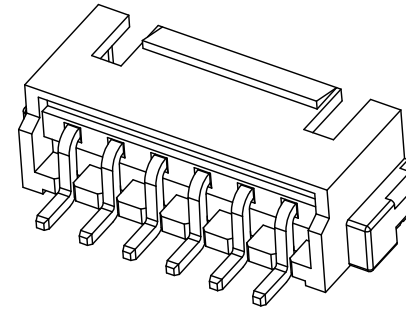
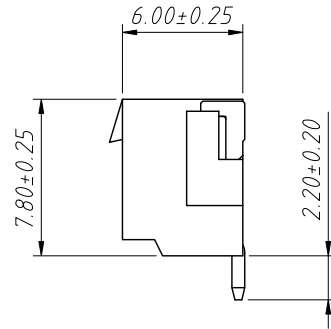
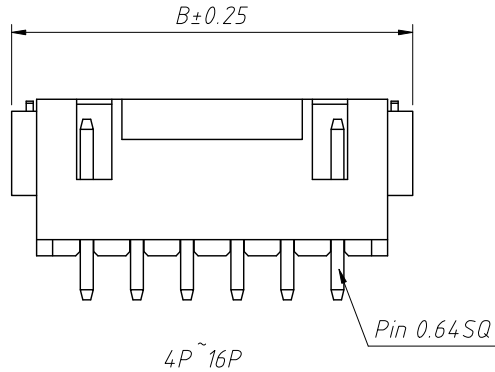
RoHS Compliance



Pin	Dimensions(mm)	
	A	B
02	2.50	10.00
03	5.00	12.50
04	7.50	15.00
05	10.00	17.50
06	12.50	20.00
07	15.00	22.50
08	17.50	25.00
09	20.00	27.50
10	22.50	30.00
11	25.00	32.50
12	27.50	35.00
13	30.00	37.50
14	32.50	40.00
15	35.00	42.50
16	37.50	45.00

Material:
Housing: PA9T/LCP, UL 94V-0
Contact: Brass
Plating: Tin plated

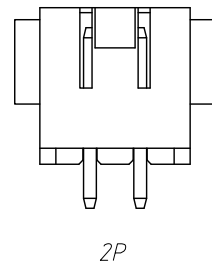
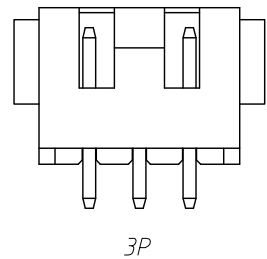
Electrical Characteristics:
Rated Current: 3.0AMP
Voltage rating: 250V AC, DC
Temperature range: -25°C ~ +85°C
Insulator Resistance: 500MΩ Min
Withstanding Voltage: 1000V AC/minute
Contact Resistance: 20mΩ Max
After environmental testing: 30mΩ Max



Order Information:
L-KLS1-2.50L-XX-RM

L: RoHS
Pitch: 2.50mm
XX-No. of 02 ~ 16 pins
Type: _____

H / FH-Housing T / MT-Terminal
S-Straight male pin
R-Right angle male pin
RM-SMT male pin



ANGLE TOLERANCE	PROJECTION	Description:
±3°		2.50mm Pitch XHB With Lock Type Wire To Board Connector
GENERAL TOLERANCE	UNITS	mm
x.x ±0.30	SHEET SIZE	A4
x.xx ±0.20	Draw:	Daniel 2021-01-11
x.xxx ±0.10	Check:	Daniel 2021-01-11

L-KLS1-2.50L-XX-RM

NingBo KLS ELECTRONIC CO.,LTD.