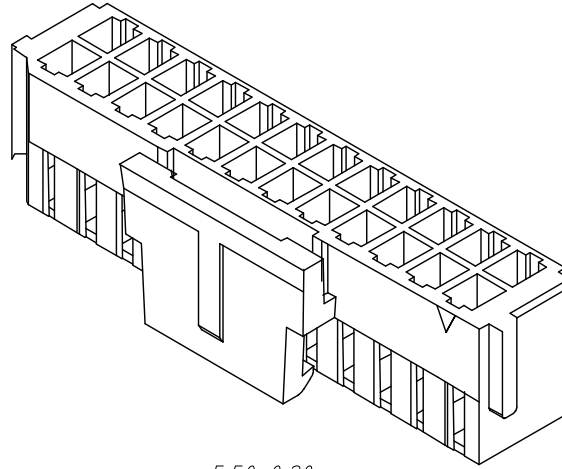
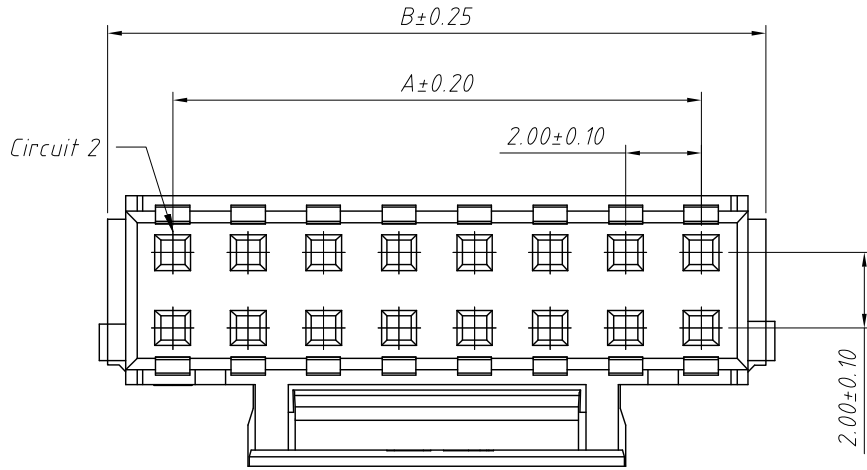
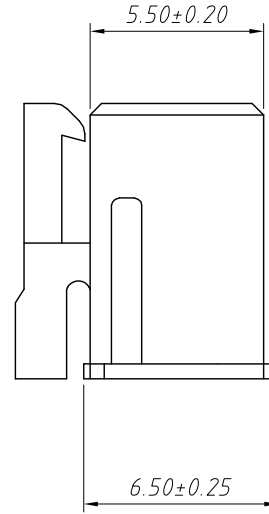
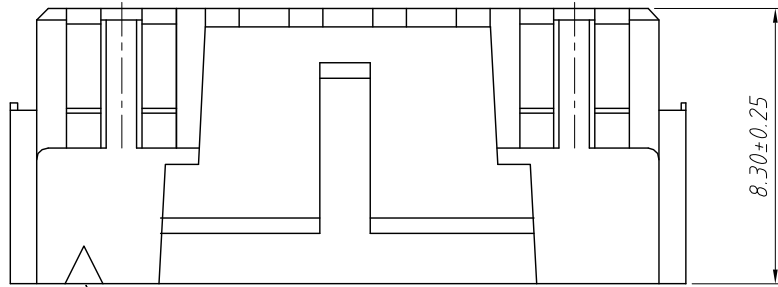


RoHS Compliance



Pin	Dimensions(mm)	
	A	B
2×04	6.00	9.90
2×05	8.00	11.90
2×06	10.00	13.90
2×07	12.00	15.90
2×08	14.00	17.90
2×09	16.00	19.90
2×10	18.00	21.90
2×11	20.00	23.90
2×12	22.00	25.90
2×13	24.00	27.90
2×14	26.00	29.90
2×15	28.00	31.90
2×16	30.00	33.90
2×17	32.00	35.90
2×18	34.00	37.90
2×19	36.00	39.90
2×20	38.00	41.90



Circuit 1 2×07~2×20P

**Order Information:**

L-KLS1-XL11-2.00-2×XX-H1

L: RoHS

Pitch:2.00mm

Pins:2-Double layer

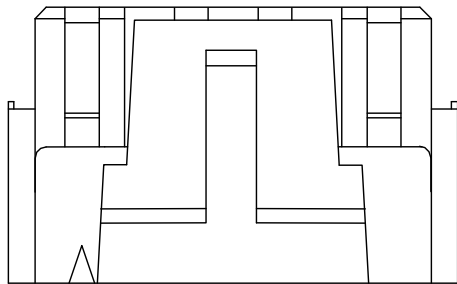
XX-No.of 04~20 pins

Type:

H1 / H2-Hosing T-Terminal

S1 / S2-Straight male pin

R1 / R2-Right angle male pin



2×02~2×06P

**Material:**

Housing:PA66,UL94V-0,White

**Electrical Characteristics:**

Rated Current:3.0A AC,DC

Voltage rating:250V AC,DC

Temperature range:-25°C ~ 85°C

Insulator Resistance:1000MΩ Min

Withstand Voltage:800V AC/DC

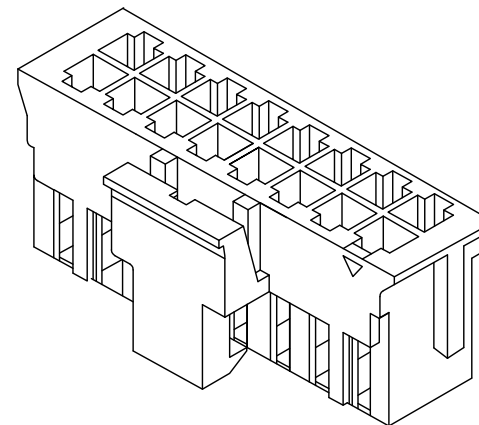
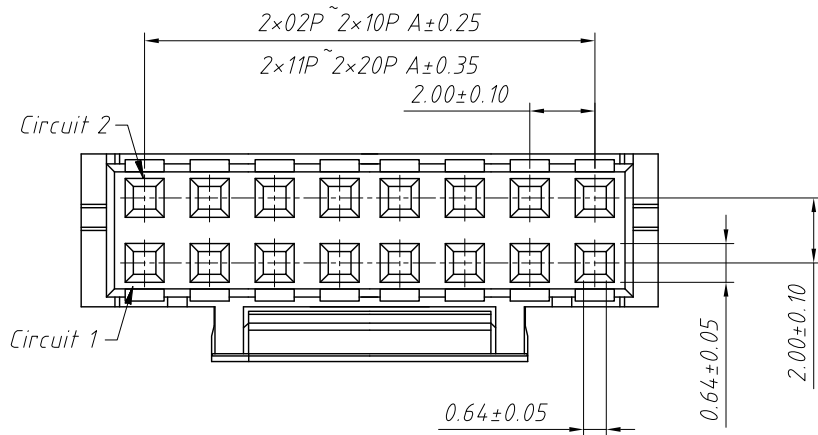
Contact Resistance:10mΩ Max

ANGLE TOLERANCE	PROJECTION	Description:
±3°		2.00mm Pitch SMH200 Double With Lock Wire to Board Connector
GENERAL TOLERANCE	UNITS	mm
x.x ±0.30	SHEET SIZE	A4
x.xx ±0.20	Draw:	Daniel 2021-01-11
x.xxx ±0.10	Check:	Daniel 2021-01-11

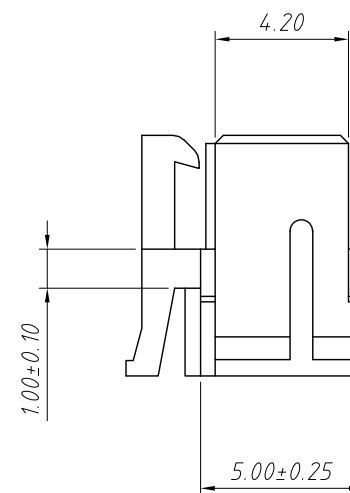
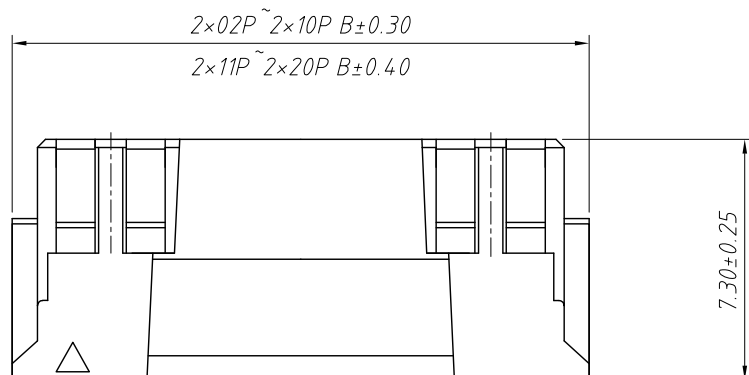


NingBo KLS ELECTRONIC CO.,LTD.

RoHS Compliance

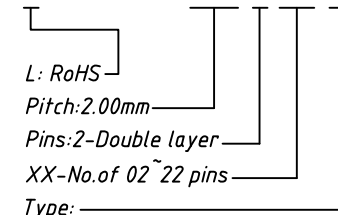


Pin	Dimensions(mm)	
	A	B
2×02	2.00	5.90
2×03	4.00	7.90
2×04	6.00	9.90
2×05	8.00	11.90
2×06	10.00	13.90
2×07	12.00	15.90
2×08	14.00	17.90
2×09	16.00	19.90
2×10	18.00	21.90
2×11	20.00	23.90
2×12	22.00	25.90
2×13	24.00	27.90
2×14	26.00	29.90
2×15	28.00	31.90
2×16	30.00	33.90
2×17	32.00	35.90
2×18	34.00	37.90
2×19	36.00	39.90
2×20	38.00	41.90
2×21	40.00	43.90
2×22	42.00	45.90



Order Information:

L-KLS1-XL 11-2.00-2×XX-H2



Material:

Housing: PA66, UL 94 V-0, Natural (White)

Electrical Characteristics:

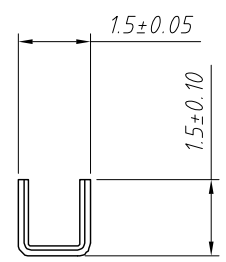
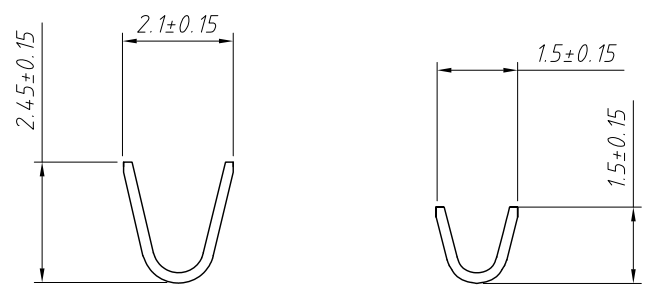
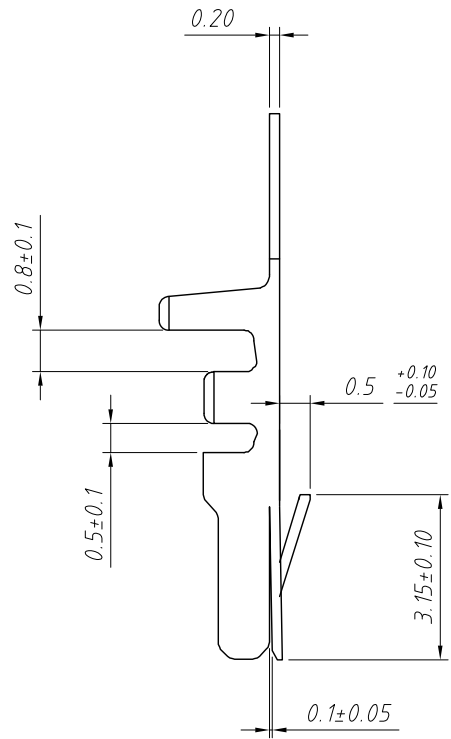
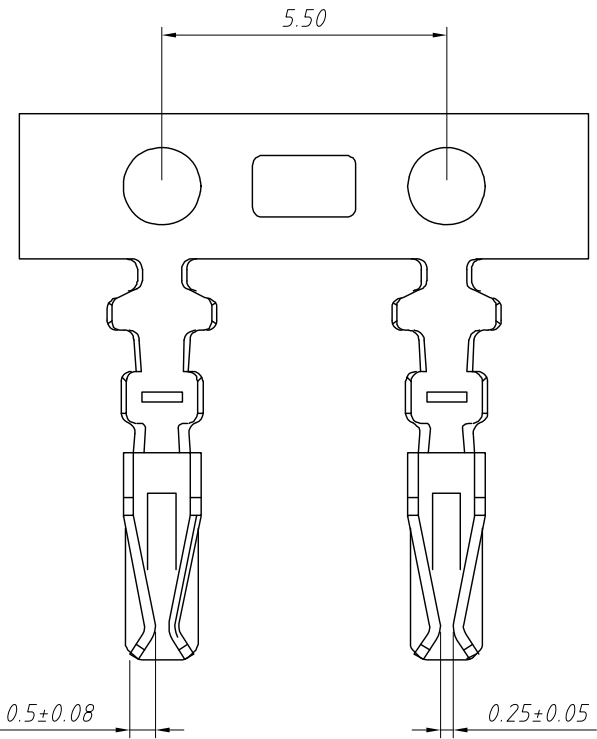
Rated Current: 3.0A AC, DC  
 Voltage rating: 250V AC, DC  
 Temperature range:  $-25^{\circ}\text{C} \sim 85^{\circ}\text{C}$   
 Insulator Resistance:  $1000M\Omega$  Min  
 Withstand Voltage: 800V AC/DC  
 Contact Resistance:  $10m\Omega$  Max

ANGLE TOLERANCE	PROJECTION	Description:
$\pm 3^{\circ}$		2.00mm Pitch SMH200 Double With Lock Wire to Board Connector
GENERAL TOLERANCE	UNITS	mm
x.x $\pm 0.30$	SHEET SIZE	A4
x.xx $\pm 0.20$	Draw:	Daniel 2021-01-11
x.xxx $\pm 0.10$	Check:	Daniel 2021-01-11



NingBo KLS ELECTRONIC CO., L TD.

1  
RoHS Compliance



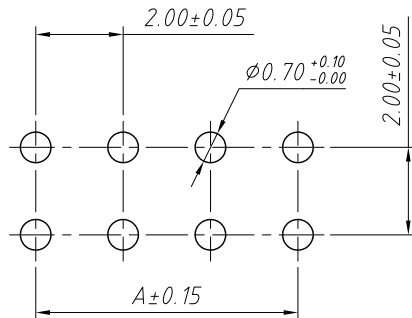
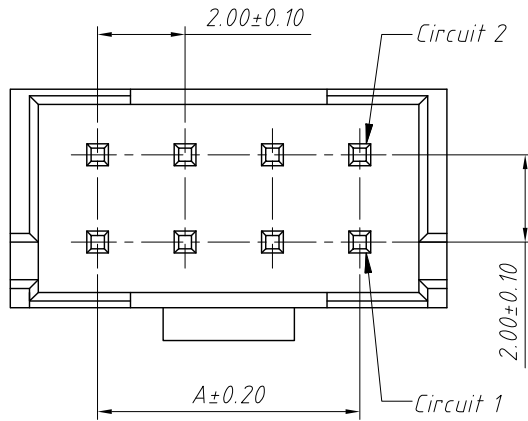
**Material:**  
Terminal: Phosphor Bronze  
Plating: Tin plated  
Applicable wires: AWG #24 ~ #30  
Insulation O.D.: 1.6mm Max  
Qty/reel: 10000PCS

**Electrical Characteristics:**  
Rated Current: 3.0A AC, DC  
Voltage rating: 250V AC, DC  
Temperature range: -25°C ~ +85°C  
Insulator Resistance: 1000MΩ Min  
Withstand Voltage: 800V AC/DC  
Contact Resistance: 10mΩ Max

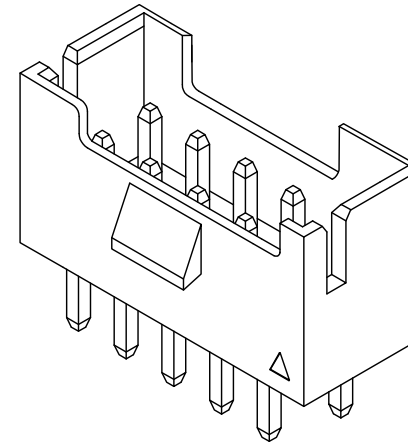
**Order Information:**  
L-KLS1-XL11-2.00-T  
L: RoHS  
Pitch: 2.00mm  
Type: \_\_\_\_\_  
H1 / H2-Hosing T-Terminal  
S1 / S2-Straight male pin  
R1 / R2-Right angle male pin

ANGLE TOLERANCE	PROJECTION	Description:	2.00mm Pitch SMH200 Double With Lock Wire to Board Connector
±3°			
GENERAL TOLERANCE	UNITS	mm	KLS P/N: L-KLS1-XL11-2.00-T
x.x ±0.30	SHEET SIZE	A4	
x.xx ±0.20	Draw:	Daniel 2021-01-11	
x.xxx ±0.10	Check:	Daniel 2021-01-11	
			NingBo KLS ELECTRONIC CO.,L TD.

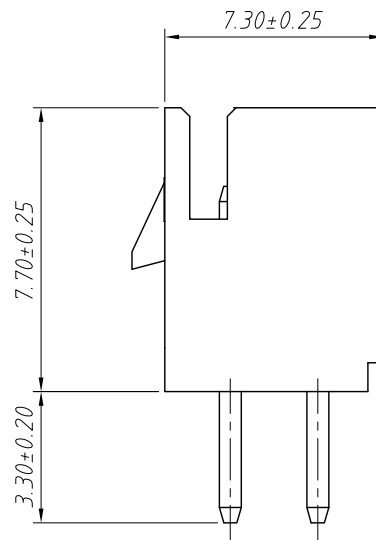
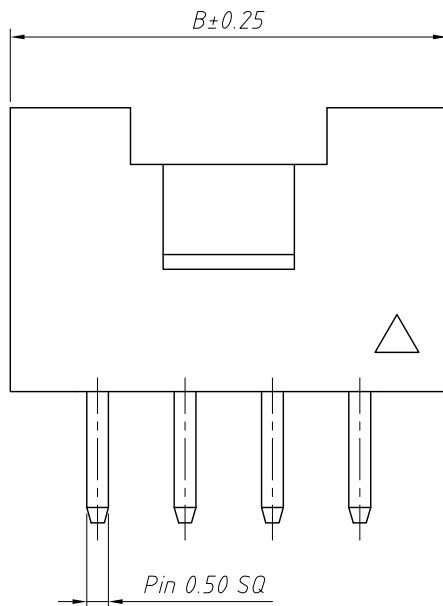
RoHS Compliance



Recommended PCB Layout



Pin	Dimensions(mm)	
	A	B
2×04	6.00	10.00
2×05	8.00	12.00
2×06	10.00	14.00
2×07	12.00	16.00
2×08	14.00	18.00
2×09	16.00	20.00
2×10	18.00	22.00
2×11	20.00	24.00
2×12	22.00	26.00
2×13	24.00	28.00
2×14	26.00	30.00
2×15	28.00	32.00
2×16	30.00	34.00
2×17	32.00	36.00
2×19	36.00	40.00
2×20	38.00	42.00



**Material:**  
Housing: PA46, UL 94V-0  
Color: Natural (White)  
Pin: Brass, Tin-plated

**Electrical Characteristics:**  
Rated Current: 3.0A AC, DC  
Voltage rating: 250V AC, DC  
Temperature range: -25°C ~ +85°C  
Insulator Resistance: 1000M $\Omega$  Min  
Withstand Voltage: 800V AC/DC  
Contact Resistance: 10m $\Omega$  Max

**Order Information:**

L-KLS1-XL11-2.00-2×XX-S1

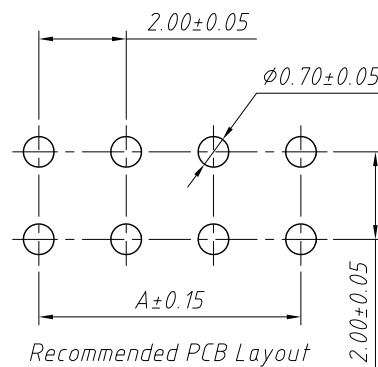
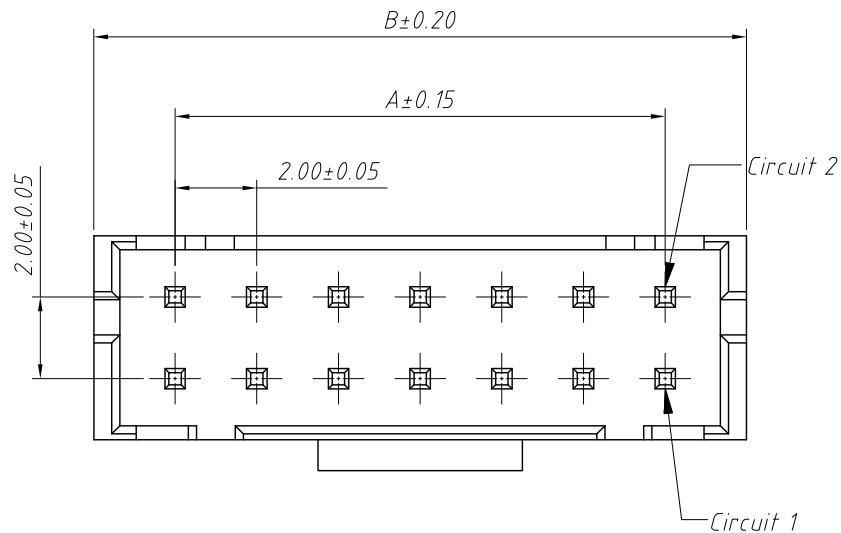
L: RoHS  
Pitch: 2.00mm  
Pins: 2-Double layer  
XX-No. of 04 ~ 20 pins  
Type:  
H1 / H2-Housing T-Terminal  
S1 / S2-Straight male pin  
R1 / R2-Right angle male pin

ANGLE TOLERANCE	PROJECTION	Description:
±3°		2.00mm Pitch SMH200 Double With Lock Wire to Board Connector
GENERAL TOLERANCE	UNITS	mm
x.x ±0.30	SHEET SIZE	A4
x.xx ±0.20	Draw:	Daniel 2021-01-11
x.xxx ±0.10	Check:	Daniel 2021-01-11



NingBo KLS ELECTRONIC CO.,LTD.

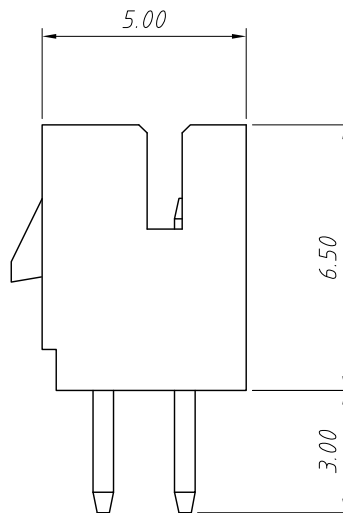
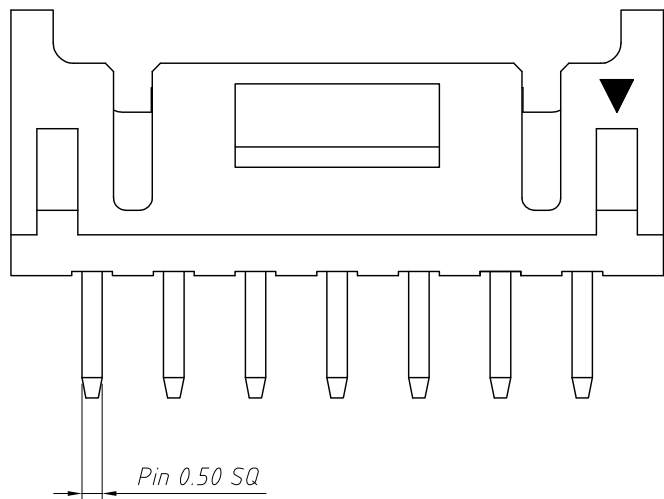
1 RoHS Compliance



Material:  
Housing: PA66, UL 94 V-0  
Color: Natural  
Pin: Brass, Tin-plated

Electrical Characteristics:  
Rated Current: 3.0A AC, DC  
Voltage rating: 250V AC, DC  
Temperature range:  $-25^{\circ}\text{C} \sim +85^{\circ}\text{C}$   
Insulator Resistance:  $1000\text{M}\Omega$  Min  
Withstand Voltage: 800V AC/DC  
Contact Resistance:  $10\text{m}\Omega$  Max

Pin	Dimensions (mm)	
	A	B
2x04	6.00	10.00
2x05	8.00	12.00
2x06	10.00	14.00
2x07	12.00	16.00
2x08	14.00	18.00
2x09	16.00	20.00
2x10	18.00	22.00
2x11	20.00	24.00
2x12	22.00	26.00
2x13	24.00	28.00
2x14	26.00	30.00
2x15	28.00	32.00
2x16	30.00	34.00
2x17	32.00	36.00
2x19	36.00	40.00
2x20	38.00	42.00



Order Information:

L-KLS1-XL11-2.00-2xXX-S2

L: RoHS

Pitch: 2.00mm

Pins: 2-Double layer

XX-No. of 04 ~ 20 pins

Type:

H1 / H2-Hosing T-Terminal

S1 / S2-Straight male pin

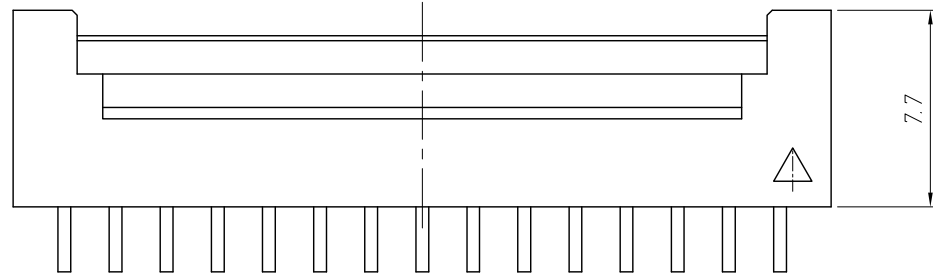
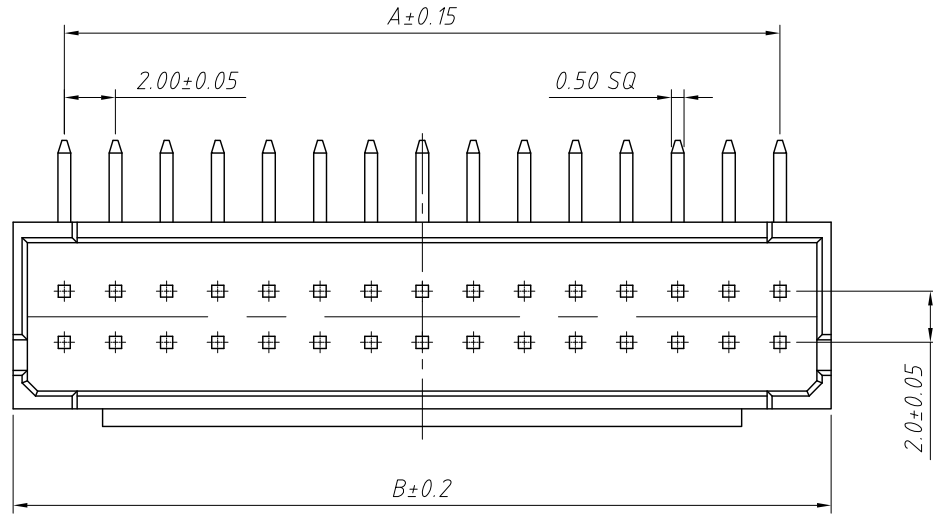
R1 / R2-Right angle male pin

ANGLE TOLERANCE	PROJECTION	Description:
$\pm 3^{\circ}$		2.00mm Pitch SMH200 Double With Lock Wire to Board Connector
GENERAL TOLERANCE	UNITS	mm
x.x $\pm 0.30$	SHEET SIZE	A4
x.xx $\pm 0.20$	Draw:	Daniel 2021-01-11
x.xxx $\pm 0.10$	Check:	Daniel 2021-01-11



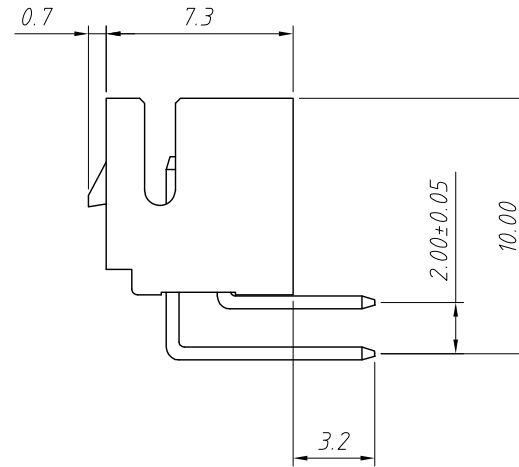
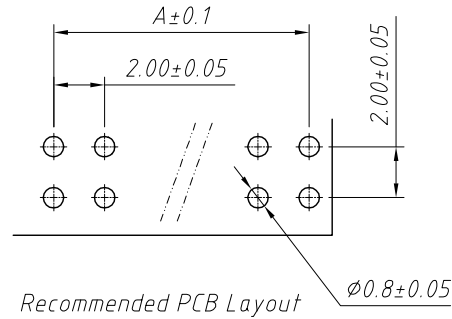
NingBo KLS ELECTRONIC CO.,LTD.

1 RoHS Compliance



**Material:**  
 Housing: PA46, UL 94V-0  
 Color: Natural (White)  
 Pin: Brass, Tin-plated

**Electrical Characteristics:**  
 Rated Current: 3.0A AC, DC  
 Voltage rating: 250V AC, DC  
 Temperature range:  $-25^{\circ}\text{C} \sim +85^{\circ}\text{C}$   
 Insulator Resistance:  $1000\text{M}\Omega$  Min  
 Withstand Voltage: 1000V AC/DC  
 Contact Resistance:  $30\text{m}\Omega$  Max



Pin	Dimensions (mm)	
	A	B
2×04	6.00	10.00
2×05	8.00	12.00
2×06	10.00	14.00
2×07	12.00	16.00
2×08	14.00	18.00
2×09	16.00	20.00
2×10	18.00	22.00
2×11	20.00	24.00
2×12	22.00	26.00
2×13	24.00	28.00
2×14	26.00	30.00
2×15	28.00	32.00
2×16	30.00	34.00
2×17	32.00	36.00
2×19	36.00	40.00
2×20	38.00	42.00

**Order Information:**

L-KLS1-XL 11-2.00-2×XX-R1

L: RoHS

Pitch: 2.00mm

Pins: 2-Double layer

XX-No. of 04 ~ 20 pins

Type:

H1 / H2-Hosing T-Terminal

S1 / S2-Straight male pin

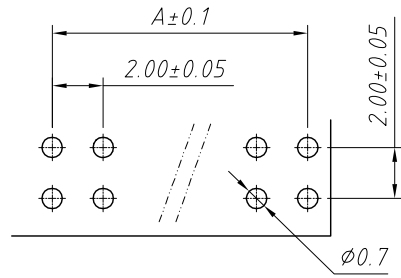
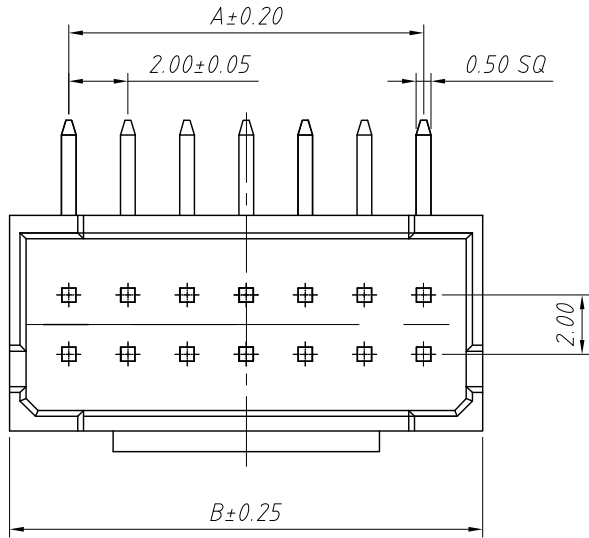
R1 / R2-Right angle male pin

ANGLE TOLERANCE	PROJECTION	Description:
$\pm 3^{\circ}$		2.00mm Pitch SMH200 Double With Lock Wire to Board Connector
GENERAL TOLERANCE	UNITS	mm
x.x $\pm 0.30$	SHEET SIZE	A4
x.xx $\pm 0.20$	Draw:	Daniel 2021-01-11
x.xxx $\pm 0.10$	Check:	Daniel 2021-01-11



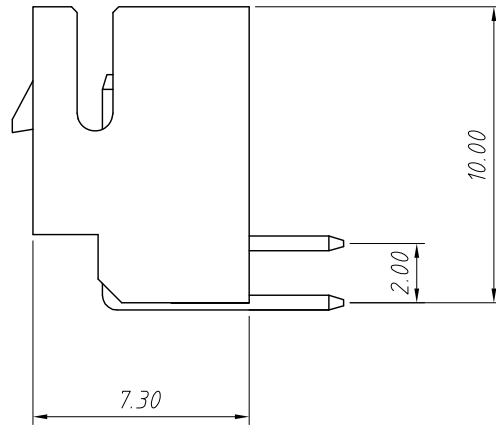
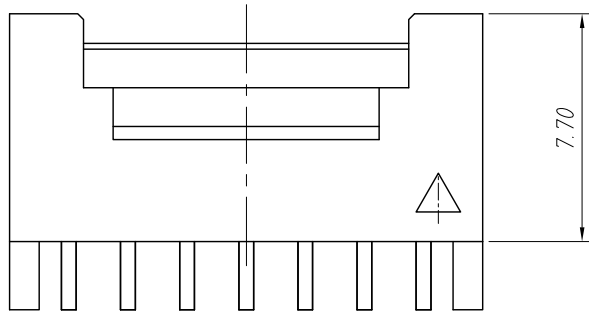
NingBo KLS ELECTRONIC CO.,L TD.

1  
RoHS Compliance



Recommended PCB Layout

Pin	Dimensions(mm)	
	A	B
2×04	6.00	10.00
2×05	8.00	12.00
2×06	10.00	14.00
2×07	12.00	16.00
2×08	14.00	18.00
2×09	16.00	20.00
2×10	18.00	22.00
2×11	20.00	24.00
2×12	22.00	26.00
2×13	24.00	28.00
2×14	26.00	30.00
2×15	28.00	32.00
2×16	30.00	34.00
2×17	32.00	36.00
2×19	36.00	40.00
2×20	38.00	42.00



Material:  
Housing:PA46,UL 94V-0,Natural  
Pin:Brass,Tin-plated

Electrical Characteristics:  
Rated Current:3.0A AC,DC  
Voltage rating:250V AC,DC  
Temperature range:-25°C ~ + 85°C  
Insulator Resistance:1000MΩ Min  
Withstand Voltage:800V AC/DC  
Contact Resistance:10mΩ Max

Order Information:

L-KLS1-XL 11-2.00-2×XX-R2

L: RoHS

Pitch:2.00mm

Pins:2-Double layer

XX-No.of 04 ~ 20 pins

Type:

H1 / H2-Hosing T-Terminal

S1 / S2-Straight male pin

R1 / R2-Right angle male pin

ANGLE TOLERANCE	PROJECTION	Description:
±3°		2.00mm Pitch SMH200 Double With Lock Wire to Board Connector
GENERAL TOLERANCE	UNITS	mm
x.x ±0.30	SHEET SIZE	A4
x.xx ±0.20	Draw:	Daniel 2021-01-11
x.xxx ±0.10	Check:	Daniel 2021-01-11



NingBo KLS ELECTRONIC CO.,L TD.