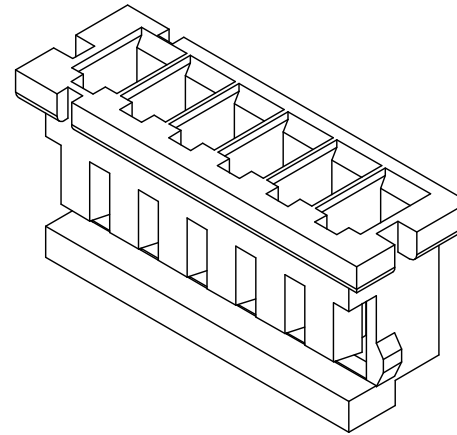
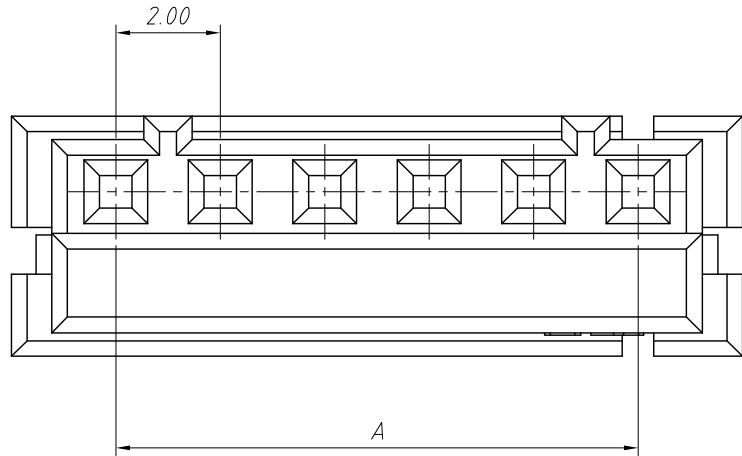
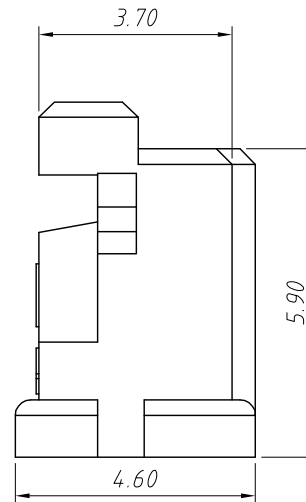
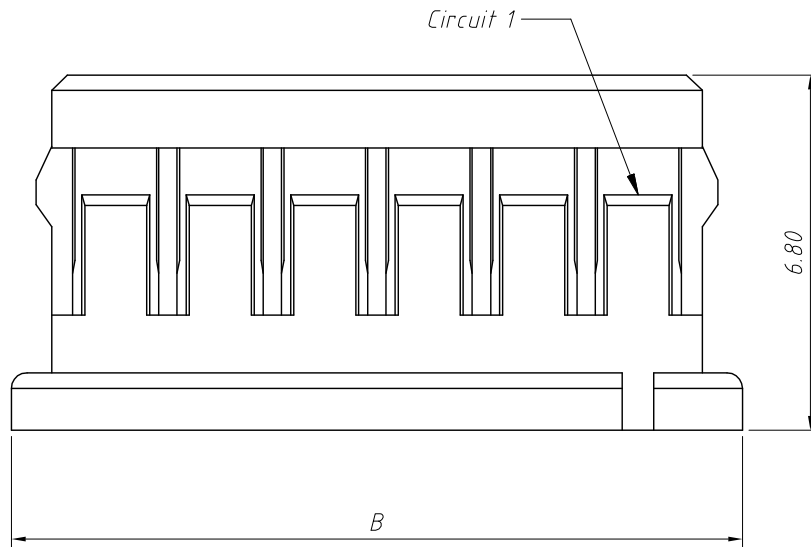


RoHS Compliance



Pin	Dimensions(mm)	
	A	B
02	2.00	6.00
03	4.00	8.00
04	6.00	10.00
05	8.00	12.00
06	10.00	14.00
07	12.00	16.00
08	14.00	18.00
09	16.00	20.00
10	18.00	22.00
11	20.00	24.00
12	22.00	26.00
13	24.00	28.00
14	26.00	30.00
15	28.00	32.00



Material:  
Housing:PA66,UL 94 V-0

Electrical Characteristics:  
Rated Current:3.0AMP  
Voltage rating:250V AC,DC  
Temperature range:-25°C ~ + 85°C  
Insulator Resistance:1000M $\Omega$  Min  
Contact Resistance:30m $\Omega$  Max

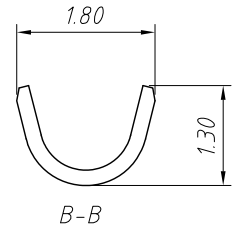
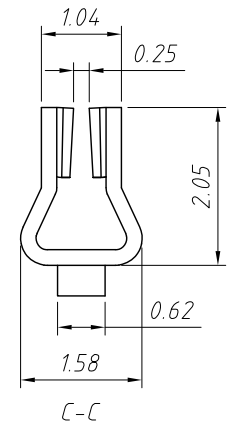
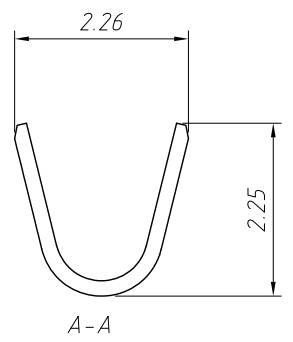
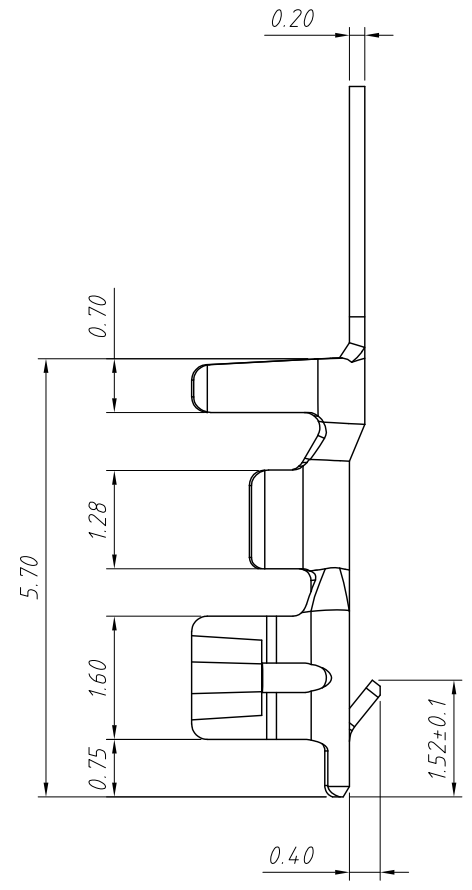
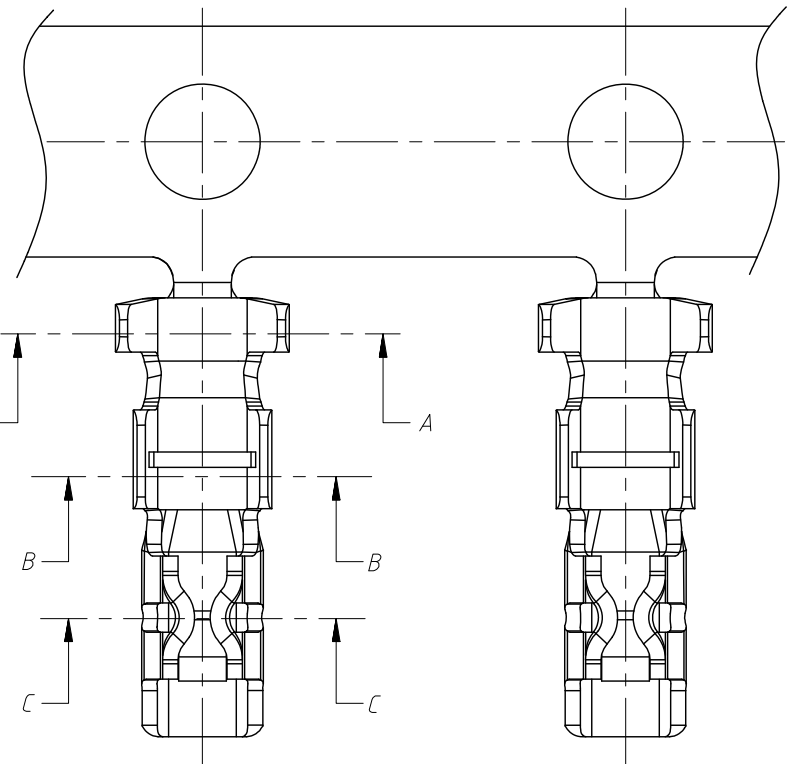
Order Information:  
L-KLS1-XL8-2.00-XX-H  
L: RoHS  
Pitch:2.00mm  
XX-No.of 02~15 pins  
Type: T-Terminal H-Hosing  
S-Straight male pin  
R-Right angle male pin

ANGLE TOLERANCE	PROJECTION	Description:
$\pm 3^\circ$		2.00mm Pitch DF3 Wire to Board Connector
GENERAL TOLERANCE	UNITS	mm
x.x $\pm 0.30$	SHEET SIZE	A4
x.xx $\pm 0.20$	Draw:	Daniel 2021-01-11
x.xxx $\pm 0.10$	Check:	Daniel 2021-01-11



NingBo KLS ELECTRONIC CO.,L TD.

1  
RoHS Compliance

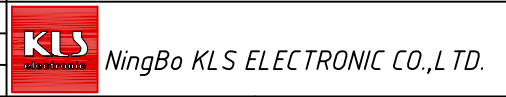


**Material:**  
Terminal: Phosphor Bronze  
Plating: Tin plated  
Applicable wires: AWG #22 ~ # 28  
Insulation O.D: 1.45mm Max  
Qty/reel: 10000 pcs

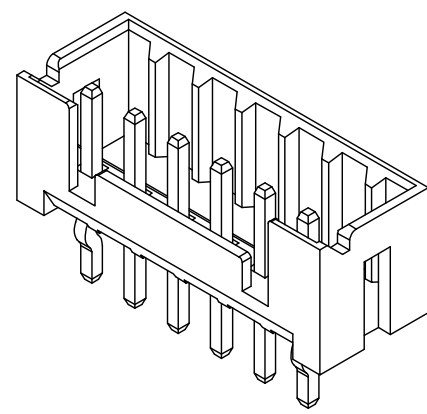
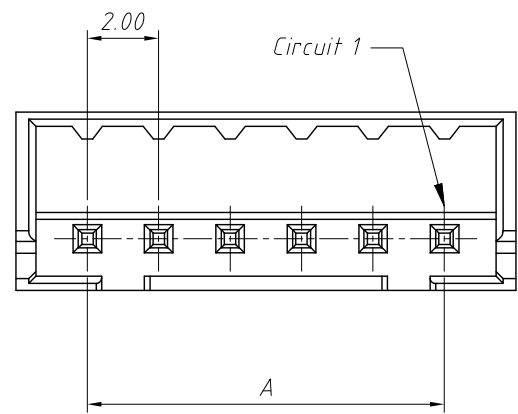
**Electrical Characteristics:**  
Rated Current: 3.0AMP  
Voltage rating: 250V AC, DC  
Temperature range: -25°C ~ + 85°C  
Insulator Resistance: 1000MΩ Min  
Contact Resistance: 30mΩ Max

**Order Information:**  
L-KLS1-XL8-2.00-T  
L: RoHS  
Pitch: 2.00mm  
Type: \_\_\_\_\_  
T-Terminal H-Hosing  
S-Straight male pin  
R-Right angle male pin

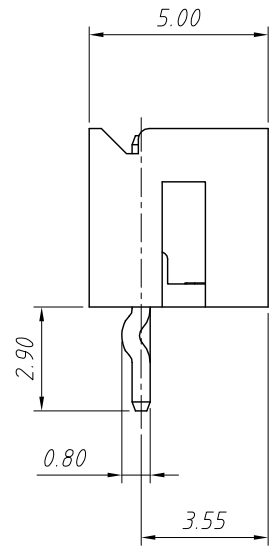
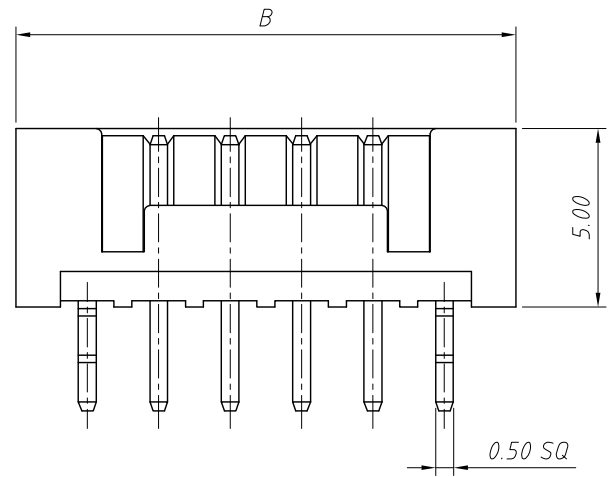
ANGLE TOLERANCE	PROJECTION	Description:	
±3°		2.00mm Pitch DF3 Wire to Board Connector	
GENERAL TOLERANCE	UNITS	mm	KLS P/N:
x.x ±0.30	SHEET SIZE	A4	L-KLS1-XL8-2.00-T
x.xx ±0.20	Draw:	Daniel	2021-01-11
x.xxx ±0.10	Check:	Daniel	2021-01-11



1  
RoHS Compliance



Pin	Dimensions(mm)	
	A	B
02	2.00	6.00
03	4.00	8.00
04	6.00	10.00
05	8.00	12.00
06	10.00	14.00
07	12.00	16.00
08	14.00	18.00
09	16.00	20.00
10	18.00	22.00
11	20.00	24.00
12	22.00	26.00
13	24.00	28.00
14	26.00	30.00
15	28.00	32.00

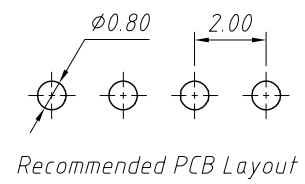


**Material:**  
Housing: PA6T, UL94V-0  
Contact: Brass  
Plating: Gold-flash

**Electrical Characteristics:**  
Rated Current: 3.0AMP  
Voltage rating: 250V AC, DC  
Temperature range: -25°C ~ +85°C  
Insulator Resistance: 1000M $\Omega$  Min  
Contact Resistance: 30m $\Omega$  Max

**Order Information:**  
L-KLS1-XL8-2.00-XX-S

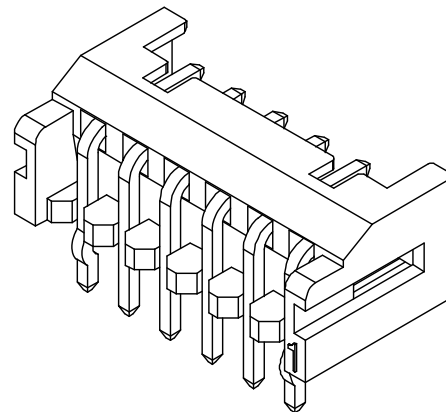
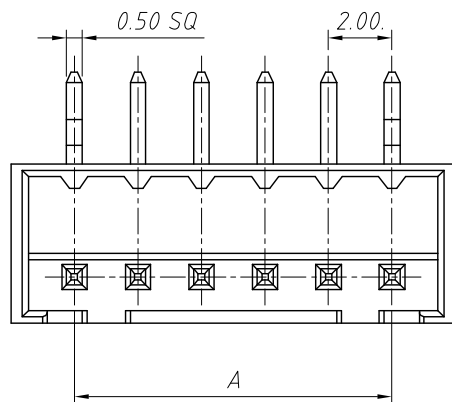
L: RoHS  
Pitch: 2.00mm  
XX-No. of 02 ~ 15 pins  
Type: \_\_\_\_\_  
T-Terminal H-Housing  
S-Straight male pin  
R-Right angle male pin



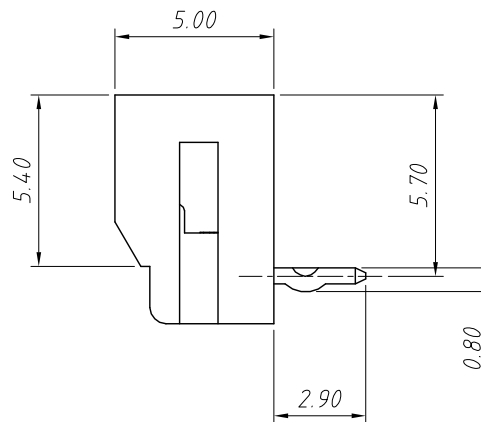
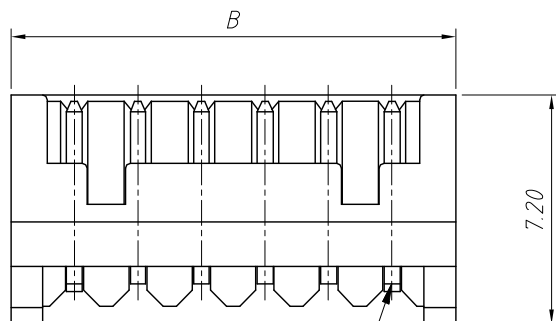
ANGLE TOLERANCE	PROJECTION	Description:	
$\pm 3^\circ$		2.00mm Pitch DF3 Wire to Board Connector	
GENERAL TOLERANCE	UNITS	mm	KLS P/N:
x.x $\pm 0.30$	SHEET SIZE	A4	L-KLS1-XL8-2.00-XX-S
x.xx $\pm 0.20$	Draw:	Daniel	2021-01-11
x.xxx $\pm 0.10$	Check:	Daniel	2021-01-11



1 RoHS Compliance



Pin	Dimensions(mm)	
	A	B
02	2.00	6.00
03	4.00	8.00
04	6.00	10.00
05	8.00	12.00
06	10.00	14.00
07	12.00	16.00
08	14.00	18.00
09	16.00	20.00
10	18.00	22.00
11	20.00	24.00
12	22.00	26.00
13	24.00	28.00
14	26.00	30.00
15	28.00	32.00



Material:  
Housing:PA6T,UL94V-0  
Contact:Brass  
Plating:Gold-flash

Electrical Characteristics:  
Rated Current:3.0AMP  
Voltage rating:250V AC,DC  
Temperature range:-25°C ~ + 85°C  
Insulator Resistance:1000M $\Omega$  Min  
Contact Resistance:30m $\Omega$  Max

Order Information:

L-KLS1-XL8-2.00-XX-R

L: RoHS

Pitch:2.00mm

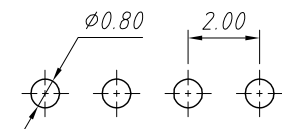
XX-No.of 02~15 pins

Type:

T-Terminal H-Hosing

S-Straight male pin

R-Right angle male pin



Recommended PCB Layout

ANGLE TOLERANCE	PROJECTION	Description:
$\pm 3^\circ$		2.00mm Pitch DF3 Wire to Board Connector
GENERAL TOLERANCE	UNITS	mm
x.x $\pm 0.30$	SHEET SIZE	A4
x.xx $\pm 0.20$	Draw:	Daniel 2021-01-11
x.xxx $\pm 0.10$	Check:	Daniel 2021-01-11



NingBo KLS ELECTRONIC CO.,L TD.