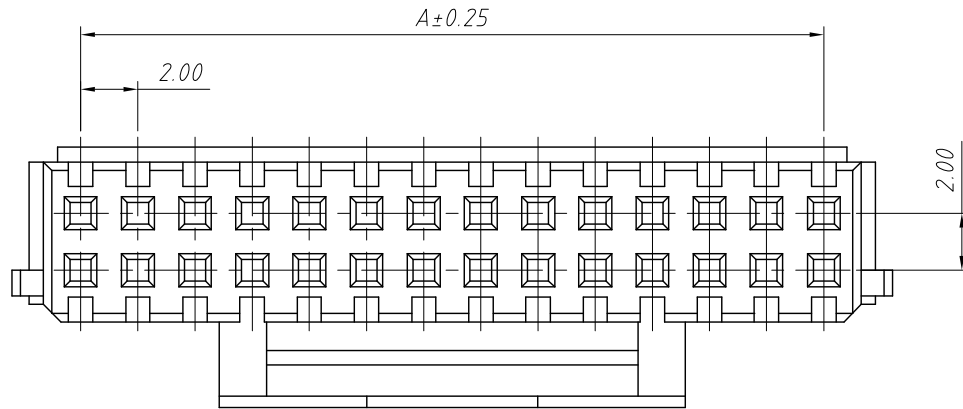


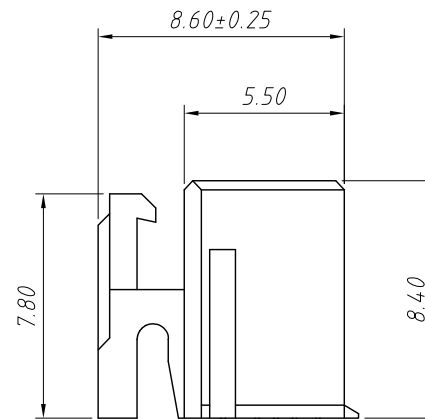
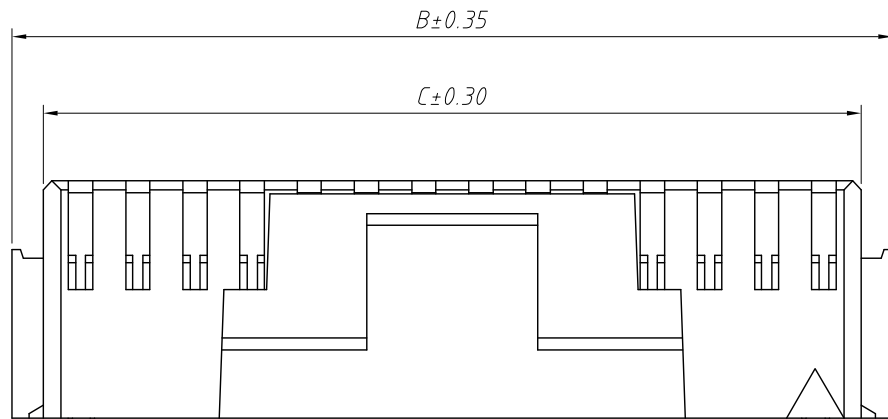
1 RoHS Compliance



Material:  
Housing:PA66,UL 94V-0

Electrical Characteristics:  
Rated Current:2.0AMP  
Voltage rating:250V AC,DC  
Temperature range:-25°C ~ + 85°C  
Insulator Resistance:1000M $\Omega$  Min  
Withstand Voltage:800V AC/DC  
Contact Resistance:20m $\Omega$  Max

Pin	Dimensions(mm)		
	A	B	C
2x02	2.00	6.70	4.70
2x03	4.00	8.70	6.70
2x04	6.00	10.70	8.70
2x05	8.00	12.70	10.70
2x06	10.00	14.70	12.70
2x07	12.00	16.70	14.70
2x08	14.00	18.70	16.70
2x09	16.00	20.70	18.70
2x10	18.00	22.70	20.70
2x11	20.00	24.70	22.70
2x12	22.00	26.70	24.70
2x13	24.00	28.70	26.70
2x14	26.00	30.70	28.70
2x15	28.00	32.70	30.70
2x16	30.00	34.70	32.70
2x17	32.00	36.70	34.70
2x18	34.00	38.70	36.70
2x19	36.00	40.70	38.70
2x20	38.00	42.70	40.70



Order Information:

L-KLS1-XL4-2.00-2xXX-H

L: RoHS

Pitch:2.00mm

Pins:2-Double layer

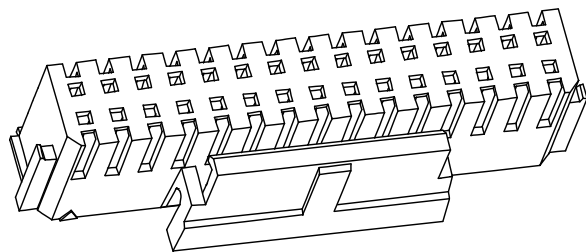
XX~No.of 02~20 Pins

Type:

T-Terminal H-Hosing

S-Straight male pin

R/R1-Right angle mate pin

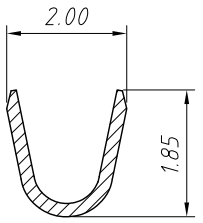
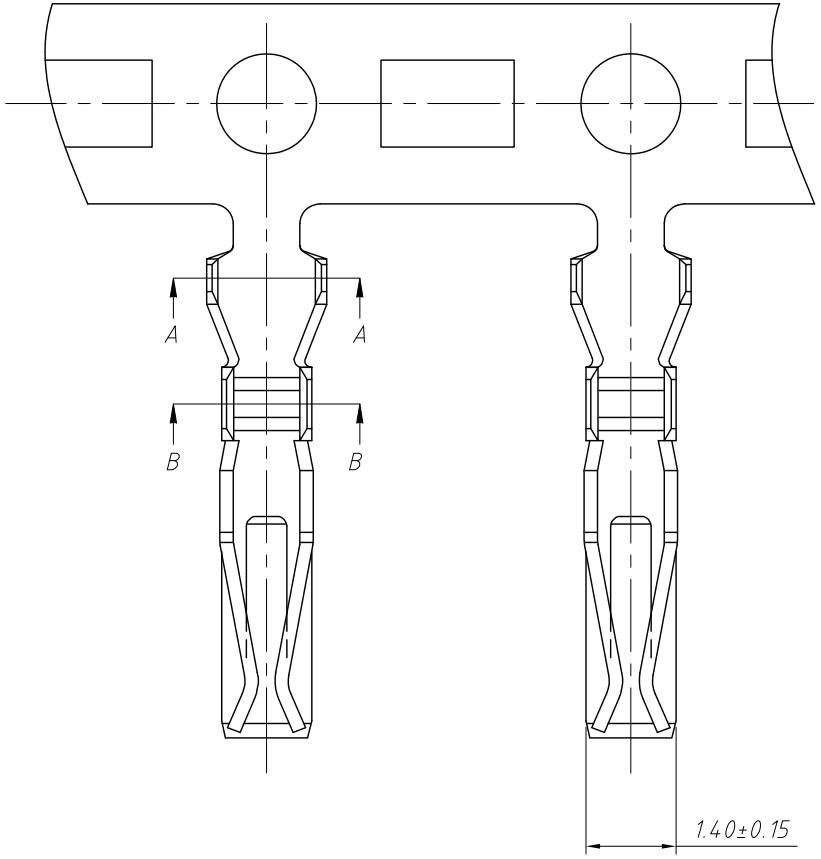


ANGLE TOLERANCE	PROJECTION		Description:
$\pm 3^\circ$			2.00mm Pitch PHSD Double With Lock type Wire to Board Connector
GENERAL TOLERANCE	UNITS	mm	KLS P/N:
x.x $\pm 0.30$	SHEET SIZE	A4	L-KLS1-XL4-2.00-2xXX-H
x.xx $\pm 0.20$	Draw:	Daniel	2021-01-11
x.xxx $\pm 0.10$	Check:	Daniel	2021-01-11

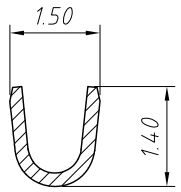


NingBo KLS ELECTRONIC CO.,L TD.

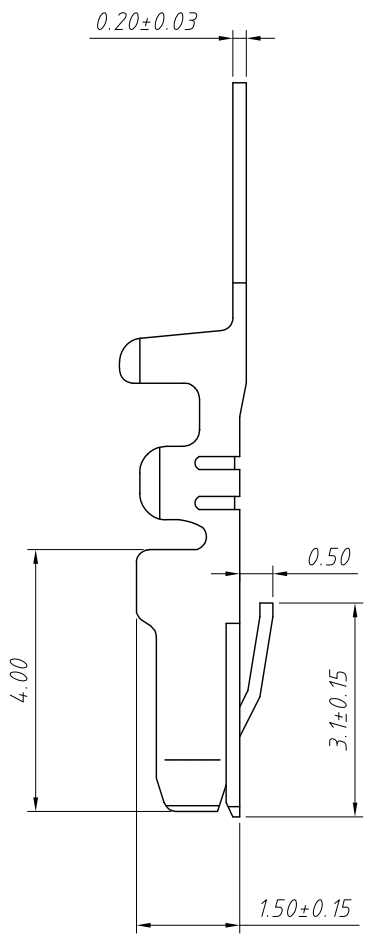
1  
RoHS Compliance



A-A



B-B



**Material:**  
 Terminal: Phosphor Bronze  
 Plating: Tin plated over Nickel  
 Applicable wires: AWG #28 ~ #24  
 Insulation O.D.: 1.60mm Max  
 Qty/reel: 15000 PCS

**Electrical Characteristics:**  
 Rated Current: 2.0AMP  
 Voltage rating: 250V AC, DC  
 Temperature range: -25°C ~ +85°C  
 Insulator Resistance: 1000MΩ Min  
 Withstand Voltage: 800V AC/DC  
 Contact Resistance: 20mΩ Max

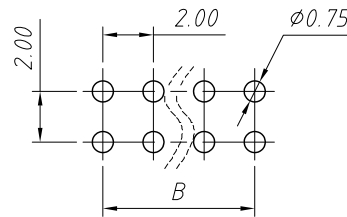
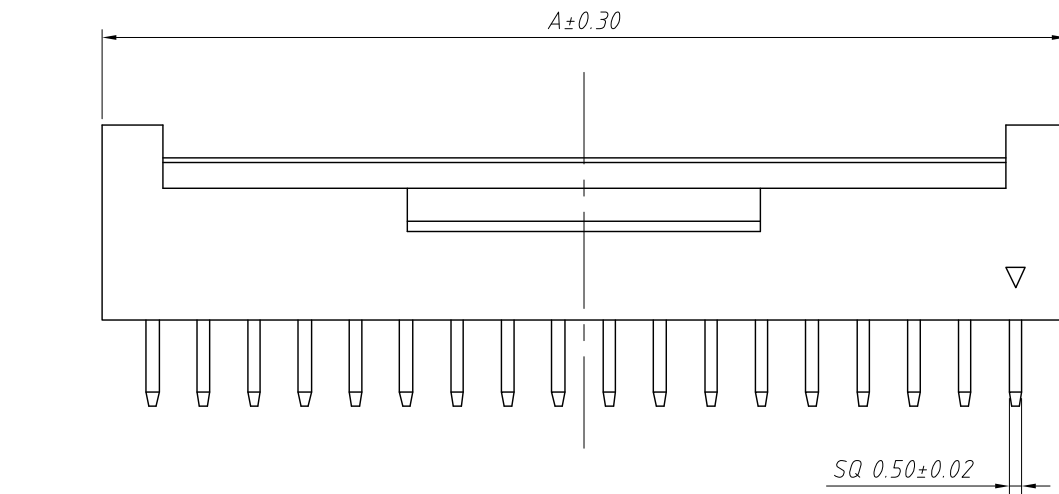
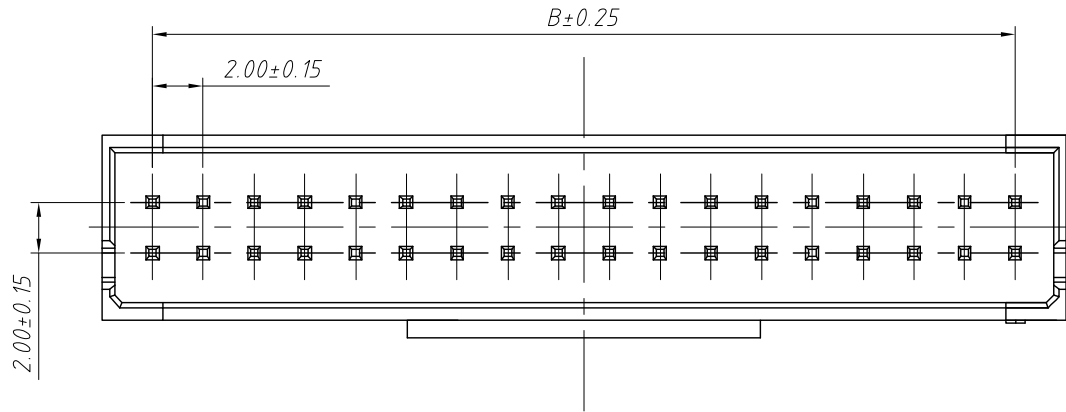
**Order Information:**  
 L-KLS1-XL4-2.00-T  
 L: RoHS  
 Pitch: 2.00mm  
 Type:  
 T-Terminal H-Hosing  
 S-Straight male pin  
 R/R1-Right angle male pin

ANGLE TOLERANCE	PROJECTION	Description:	2.00mm Pitch PHSD Double With Lock type Wire to Board Connector
±3°			
GENERAL TOLERANCE	UNITS	mm	KLS P/N: L-KLS1-XL4-2.00-T
x.x ±0.30	SHEET SIZE	A4	
x.xx ±0.20	Draw:	Daniel	2021-01-11
x.xxx ±0.10	Check:	Daniel	2021-01-11



NingBo KLS ELECTRONIC CO.,L TD.

1 RoHS Compliance

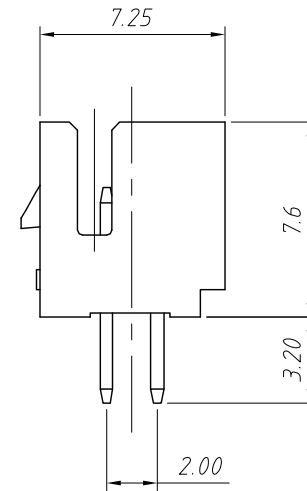


Recommended PCB Layout  
Tolerance±0.05

**Material:**  
Housing:PA66,UL 94V-2  
Contact:Brass  
Plating: Tin Plated over Nickel

**Electrical Characteristics:**  
Rated Current:2.0AMP  
Voltage rating:250V AC,DC  
Temperature range:-25°C ~ + 85°C  
Insulator Resistance:1000MΩ Min  
Withstand Voltage:800V AC/DC  
Contact Resistance:20mΩ Max

Pin	Dimensions(mm)	
	A	B
2×03	8.00	4.00
2×04	10.00	6.00
2×05	12.00	8.00
2×06	14.00	10.00
2×07	16.00	12.00
2×08	18.00	14.00
2×09	20.00	16.00
2×10	22.00	18.00
2×11	24.00	20.00
2×12	26.00	22.00
2×13	28.00	24.00
2×14	30.00	26.00
2×15	32.00	28.00
2×16	34.00	30.00
2×17	36.00	32.00
2×18	38.00	34.00
2×19	40.00	36.00
2×20	42.00	38.00



**Order Information:**

L-KLS1-XL4-2.00-2×XX-S

L: RoHS

Pitch:2.00mm

Pins:2-Double layer

XX-No. of 02~20 Pins

Type:

T-Terminal H-Hosing

S-Straight male pin

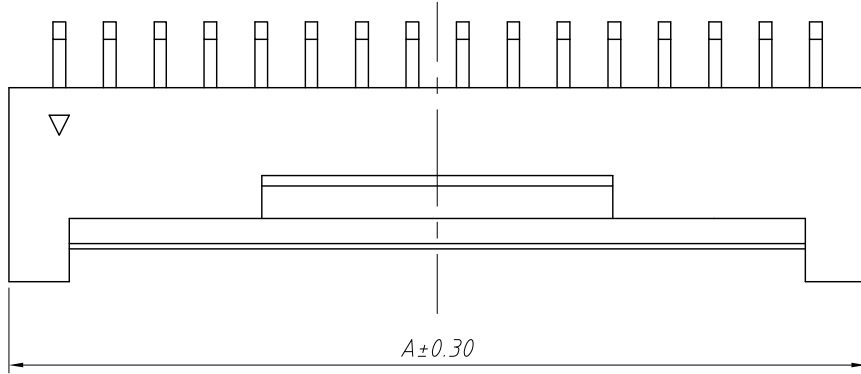
R/R1-Right angle male pin

ANGLE TOLERANCE	PROJECTION	Description:
±3°		2.00mm Pitch PHSD Double With Lock type Wire to Board Connector
GENERAL TOLERANCE	UNITS	mm
x.x ±0.30	SHEET SIZE	A4
x.xx ±0.20	Draw:	Daniel 2021-01-11
x.xxx ±0.10	Check:	Daniel 2021-01-11



NingBo KLS ELECTRONIC CO.,L TD.

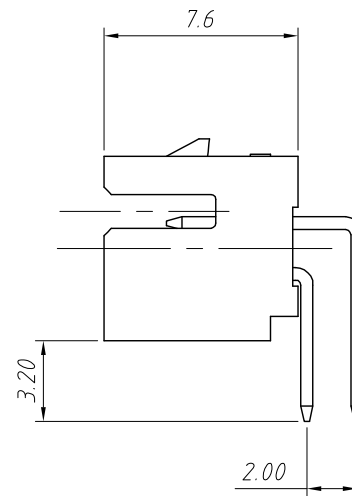
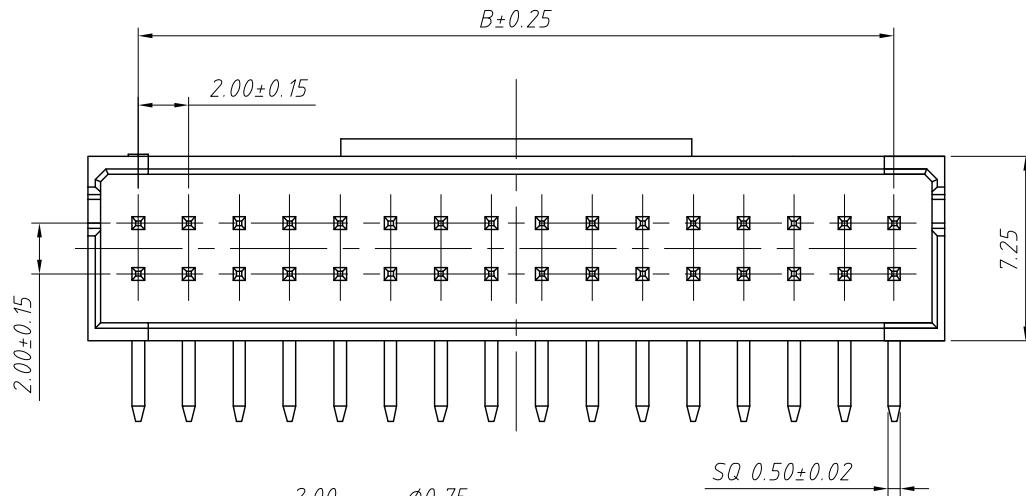
1 RoHS Compliance



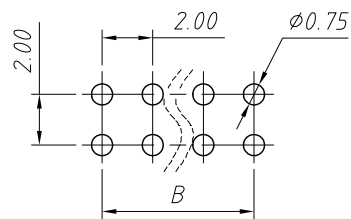
**Material:**  
 Housing: PA66, UL 94V-2  
 Contact: Brass  
 Plating: Tin Plated over Nickel

**Electrical Characteristics:**  
 Rated Current: 2.0AMP  
 Voltage rating: 250V AC, DC  
 Temperature range:  $-25^{\circ}\text{C} \sim +85^{\circ}\text{C}$   
 Insulator Resistance:  $1000\text{M}\Omega$  Min  
 Withstand Voltage: 800V AC/DC  
 Contact Resistance:  $20\text{m}\Omega$  Max

Pin	Dimensions (mm)	
	A	B
2×03	8.00	4.00
2×04	10.00	6.00
2×05	12.00	8.00
2×06	14.00	10.00
2×07	16.00	12.00
2×08	18.00	14.00
2×09	20.00	16.00
2×10	22.00	18.00
2×11	24.00	20.00
2×12	26.00	22.00
2×13	28.00	24.00
2×14	30.00	26.00
2×15	32.00	28.00
2×16	34.00	30.00
2×17	36.00	32.00
2×18	38.00	34.00
2×19	40.00	36.00
2×20	42.00	38.00



**Order Information:**  
 L-KLS1-XL4-2.00-2×XX-R  
 L: RoHS  
 Pitch: 2.00mm  
 Pins: 2-Double layer  
 XX-No. of 02~20 Pins  
 Type: \_\_\_\_\_  
 T-Terminal H-Housing  
 S-Straight male pin  
 R/R1-Right angle male pin



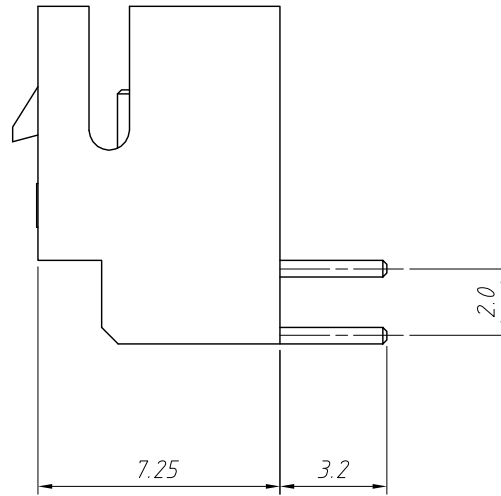
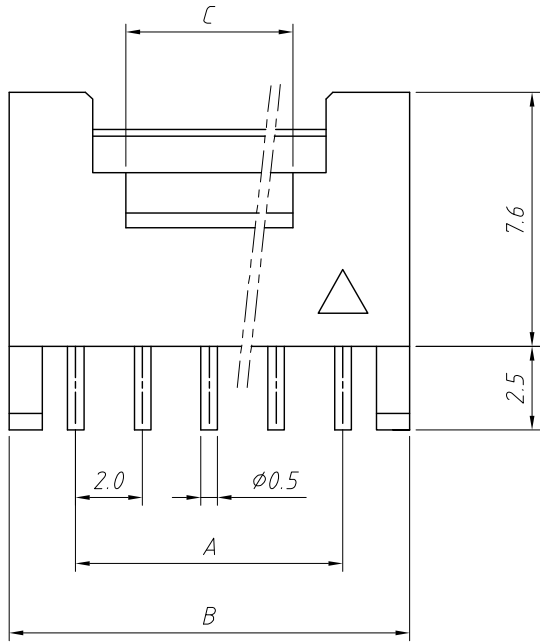
Recommended PCB Layout  
 Tolerance  $\pm 0.05$

ANGLE TOLERANCE	PROJECTION	Description:	
$\pm 3^{\circ}$			2.00mm Pitch PHSD Double With Lock type Wire to Board Connector
GENERAL TOLERANCE	UNITS	mm	KLS P/N:
x.x $\pm 0.30$	SHEET SIZE	A4	L-KLS1-XL4-2.00-2×XX-R
x.xx $\pm 0.20$	Draw:	Daniel	2021-01-11
x.xxx $\pm 0.10$	Check:	Daniel	2021-01-11

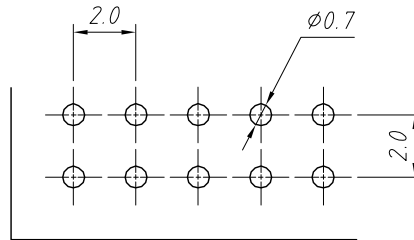
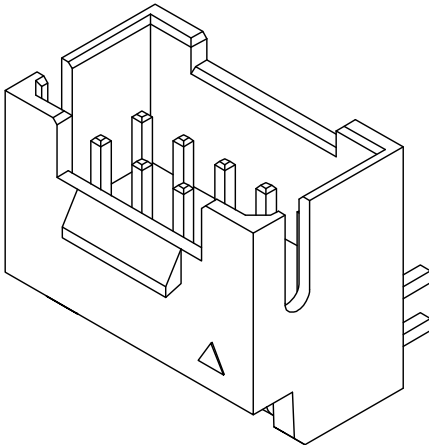


NingBo KLS ELECTRONIC CO.,L TD.

1 RoHS Compliance



Pin	Dimensions(mm)		
	A	B	C
2x02	2.00	6.00	3.00
2x03	4.00	8.00	3.00
2x04	6.00	10.00	3.00
2x05	8.00	12.00	5.00
2x06	10.00	14.00	7.00
2x07	12.00	16.00	9.00
2x08	14.00	18.00	11.00
2x09	16.00	20.00	13.00
2x10	18.00	22.00	15.00
2x11	20.00	24.00	17.00
2x12	22.00	26.00	19.00
2x13	24.00	28.00	21.00
2x14	26.00	30.00	23.00
---	---	---	---
2x30	58.00	62.00	55.00



Recommended PCB Layout  
Tolerance±0.05

Material:  
Housing:PA66,UL 94 V-2  
Contact:Brass  
Plating: Tin Plated

Electrical Characteristics:  
Rated Current:2.0AMP  
Voltage rating:250V AC,DC  
Temperature range:-25°C ~ +85°C  
Insulator Resistance:1000MΩ Min  
Withstand Voltage:800V AC/DC  
Contact Resistance:20mΩ Max

Order Information:  
L-KLS1-XL4-2.00-2×XX-R1  
L: RoHS  
Pitch:2.00mm  
 Pins:2-Double layer  
XX-No. of 02~60 Pins  
Type:  
T-Terminal H-Hosing  
S-Straight male pin  
R/R1-Right angle male pin

ANGLE TOLERANCE	PROJECTION		Description:
±3°			2.00mm Pitch PHSD Double With Lock type Wire to Board Connector
GENERAL TOLERANCE	UNITS	mm	KLS P/N:
x.x ±0.30	SHEET SIZE	A4	L-KLS1-XL4-2.00-2×XX-R1
x.xx ±0.20	Draw:	Daniel	2021-01-11
x.xxx ±0.10	Check:	Daniel	2021-01-11



NingBo KLS ELECTRONIC CO.,L TD.